

E205483001 ✓ ACTIVE

RAYCHEM

TE Internal #: E205483001

Twisted Pair Cable, Spec 55M, Operating Voltage 450 VAC, Silver-Coated High Strength Copper Alloy, 26 AWG Wire Size

[View on TE.com >](#)



Wire & Cable > Twisted Pair Cable > Twisted Pair Cable: Silver Coated Cable, 450V Dual Wall



Cable Type: **Spec 55M**

Operating Voltage: **450 VAC**

Wire & Cable Insulation Material: **Radiation-Crosslinked, Modified ETFE**

Conductor Material: **Silver-Coated High Strength Copper Alloy**

Wire Size: **26 AWG**

[All Twisted Pair Cable: Silver Coated Cable, 450V Dual Wall \(15\)](#)

Features

Electrical Characteristics

Operating Voltage	450 VAC
-------------------	---------

Body Features

Cable Color	White
Wire Color (Base)	White
Wire & Cable Insulation Material	Radiation-Crosslinked, Modified ETFE
Conductor Material	Silver-Coated High Strength Copper Alloy

Dimensions

Wire Size	26 AWG
-----------	--------

Usage Conditions

Cable Type	Spec 55M
Operating Temperature Range	-65 – 200 °C

Product Compliance

[For compliance documentation, visit the product page on TE.com>](#)

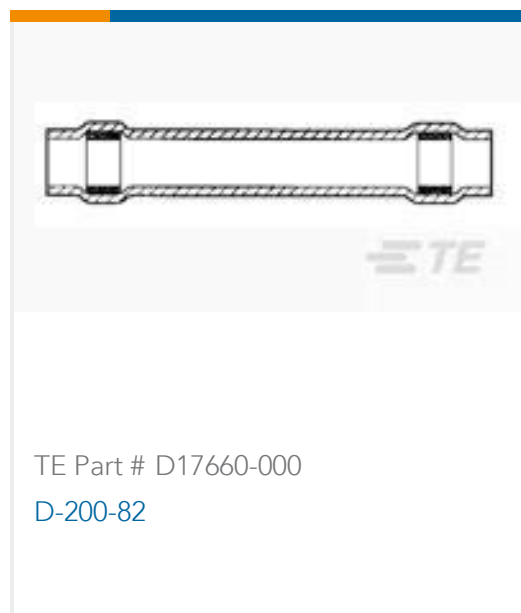
EU RoHS Directive 2011/65/EU	Compliant
EU ELV Directive 2000/53/EC	Compliant

China RoHS 2 Directive MIIT Order No 32, 2016	No Restricted Materials Above Threshold
EU REACH Regulation (EC) No. 1907/2006	Current ECHA Candidate List: JUNE 2024 (241) Candidate List Declared Against: JAN 2024 (240) Does not contain REACH SVHC
Halogen Content	Out of Scope - excluded from Halogen requirements
Solder Process Capability	Not applicable for solder process capability

Product Compliance Disclaimer

This information is provided based on reasonable inquiry of our suppliers and represents our current actual knowledge based on the information they provided. This information is subject to change. The part numbers that TE has identified as EU RoHS compliant have a maximum concentration of 0.1% by weight in homogenous materials for lead, hexavalent chromium, mercury, PBB, PBDE, DBP, BBP, DEHP, DIBP, and 0.01% for cadmium, or qualify for an exemption to these limits as defined in the Annexes of Directive 2011/65/EU (RoHS2). Finished electrical and electronic equipment products will be CE marked as required by Directive 2011/65/EU. Components may not be CE marked. Additionally, the part numbers that TE has identified as EU ELV compliant have a maximum concentration of 0.1% by weight in homogenous materials for lead, hexavalent chromium, and mercury, and 0.01% for cadmium, or qualify for an exemption to these limits as defined in the Annexes of Directive 2000/53/EC (ELV). Regarding the REACH Regulation, the information TE provides on SVHC in articles for this part number is based on the latest European Chemicals Agency (ECHA) 'Guidance on requirements for substances in articles' posted at this URL: <https://echa.europa.eu/guidance-documents/guidance-on-reach>

Compatible Parts



TE Part # D17660-000
D-200-82

Customers Also Bought



TE Part #DT04-2P
REC, 2P, GRY, N



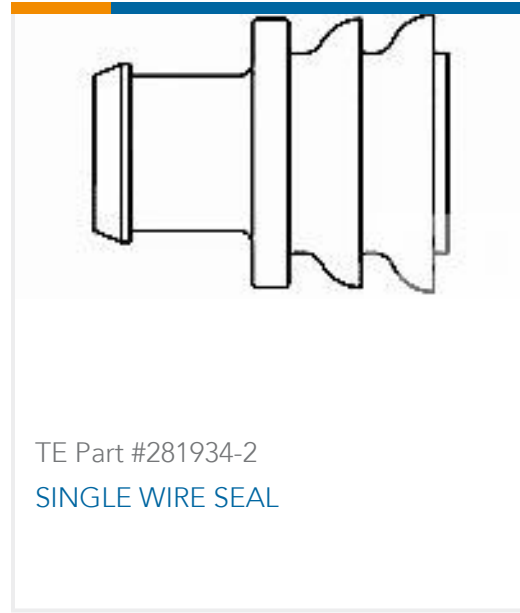
TE Part #DT06-2S
PLG, 2P, GRY, N



TE Part #W2S
Wedgelocks: DEUTSCH DT



TE Part #0460-202-16141
DEUTSCH Solid Contacts



Documents

Product Drawings

55M1414-26-9-9

English