

8471873001 ✓ ACTIVE

RAYCHEM

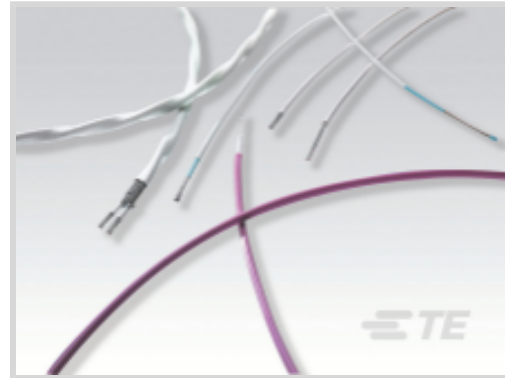
TE Internal #: 8471873001

Spec 55, Operating Voltage 450 V, Silver-Coated High Strength Copper Alloy, 28 AWG Wire Size, Operating Temperature Range -65 – 200 °C, Hook Up Wire

[View on TE.com >](#)



Wire & Cable > Hook Up Wire



Cable Type: **Spec 55**

Operating Voltage: **450 V**

Wire & Cable Insulation Material: **Modified Radiation Cross-linked ETFE Polymer**

Conductor Material: **Silver-Coated High Strength Copper Alloy**

Wire Size: **28 AWG**

Features

Electrical Characteristics

Operating Voltage	450 V
-------------------	-------

Body Features

Cable Color	Blue
Wire & Cable Insulation Material	Modified Radiation Cross-linked ETFE Polymer
Conductor Material	Silver-Coated High Strength Copper Alloy
Wire Color (Base)	Blue

Dimensions

Wire Size	28 AWG
-----------	--------

Usage Conditions

Cable Type	Spec 55
Operating Temperature Range	-65 – 200 °C

Product Compliance

[For compliance documentation, visit the product page on TE.com>](#)

EU RoHS Directive 2011/65/EU	Compliant
EU ELV Directive 2000/53/EC	Compliant



China RoHS 2 Directive MIIT Order No 32, 2016	No Restricted Materials Above Threshold
EU REACH Regulation (EC) No. 1907/2006	Current ECHA Candidate List: JUNE 2024 (241) Candidate List Declared Against: JUNE 2024 (241) Does not contain REACH SVHC
Halogen Content	Out of Scope - excluded from Halogen requirements
Solder Process Capability	Not applicable for solder process capability

Product Compliance Disclaimer

This information is provided based on reasonable inquiry of our suppliers and represents our current actual knowledge based on the information they provided. This information is subject to change. The part numbers that TE has identified as EU RoHS compliant have a maximum concentration of 0.1% by weight in homogenous materials for lead, hexavalent chromium, mercury, PBB, PBDE, DBP, BBP, DEHP, DIBP, and 0.01% for cadmium, or qualify for an exemption to these limits as defined in the Annexes of Directive 2011/65/EU (RoHS2). Finished electrical and electronic equipment products will be CE marked as required by Directive 2011/65/EU. Components may not be CE marked. Additionally, the part numbers that TE has identified as EU ELV compliant have a maximum concentration of 0.1% by weight in homogenous materials for lead, hexavalent chromium, and mercury, and 0.01% for cadmium, or qualify for an exemption to these limits as defined in the Annexes of Directive 2000/53/EC (ELV). Regarding the REACH Regulation, the information TE provides on SVHC in articles for this part number is based on the latest European Chemicals Agency (ECHA) 'Guidance on requirements for substances in articles' posted at this URL: <https://echa.europa.eu/guidance-documents/guidance-on-reach>

Compatible Parts



TE Part # 38943-22L
CONT SOC ASSY

Customers Also Bought



TE Part #CA6922-000
203W301-25-G02-0



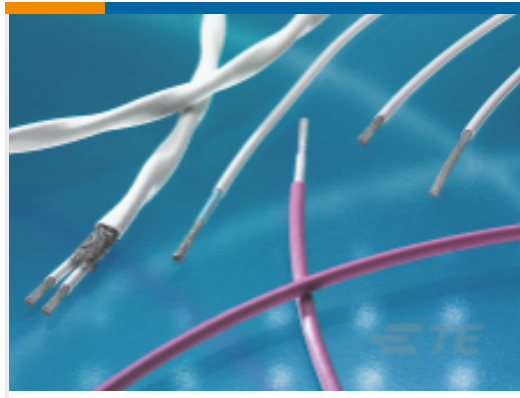
TE Part #6504744001
DR-25-TW-3/32-0-SP



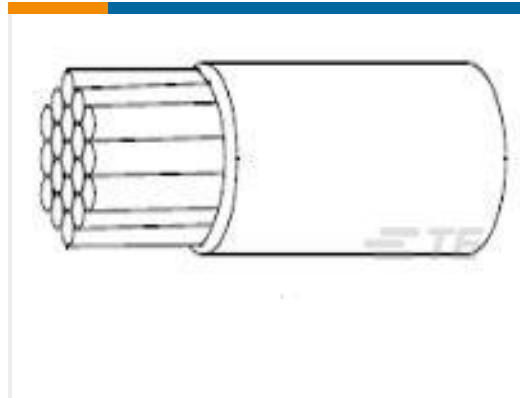
TE Part #CB03294012
RW-200-E-1/8-0-SP



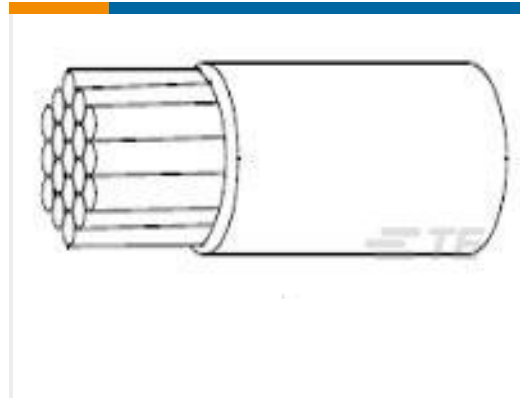
TE Part #4751363001
Hookup wire: Silver Coated Wire, 450V Dual Wall



TE Part #9682313001
Twisted Pair Cable: Silver Coated
Cable, 450V Dual Wall



TE Part #9137213001
55M0414-28-3



TE Part #3135233001
55M0414-24-5



TE Part #7683073001
55M0414-28-9

Documents

Product Drawings

55M0414-28-6

English