



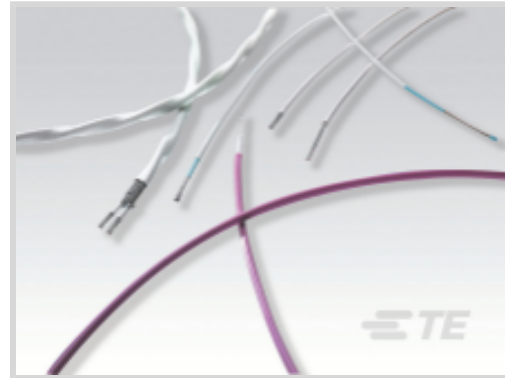
RAYCHEM

TE Internal #: 6064973001

Spec 55, Operating Voltage 450 V, Silver-Coated High Strength Copper Alloy, 28 AWG Wire Size, Operating Temperature Range -65 – 200 °C, Hook Up Wire

[View on TE.com >](#)

Wire & Cable > Hook Up Wire > Hookup wire: Silver Coated Wire, 450V Dual Wall



Cable Type: **Spec 55**

Operating Voltage: **450 V**

Wire & Cable Insulation Material: **Modified Radiation Cross-linked ETFE Polymer**

Conductor Material: **Silver-Coated High Strength Copper Alloy**

Wire Size: **28 AWG**

[All Hookup wire: Silver Coated Wire, 450V Dual Wall \(26\)](#)

## Features

### Product Type Features

Cable Style	Primary
-------------	---------

### Configuration Features

Number of Conductors	1
----------------------	---

### Electrical Characteristics

Operating Voltage	450 V
-------------------	-------

### Body Features

Wire & Cable Insulation Material	Modified Radiation Cross-linked ETFE Polymer
Conductor Material	Silver-Coated High Strength Copper Alloy
Wire Color (Base)	Yellow

### Dimensions

Outside Cable Diameter	.58 mm[.023 in]
Conductor Diameter Range	.36 – .38 mm[.014 – .015 in]
Wire Size	28 AWG

### Usage Conditions

Cable Type	Spec 55
------------	---------



Operating Temperature Range	-65 – 200 °C
-----------------------------	--------------

**Other**

Product Source	UK
----------------	----

**Product Compliance**

[For compliance documentation, visit the product page on TE.com>](#)

EU RoHS Directive 2011/65/EU	Compliant
EU ELV Directive 2000/53/EC	Compliant
China RoHS 2 Directive MIIT Order No 32, 2016	No Restricted Materials Above Threshold
EU REACH Regulation (EC) No. 1907/2006	Current ECHA Candidate List: JUNE 2024 (241) Candidate List Declared Against: JUNE 2024 (241) Does not contain REACH SVHC
Halogen Content	Out of Scope - excluded from Halogen requirements
Solder Process Capability	Not applicable for solder process capability

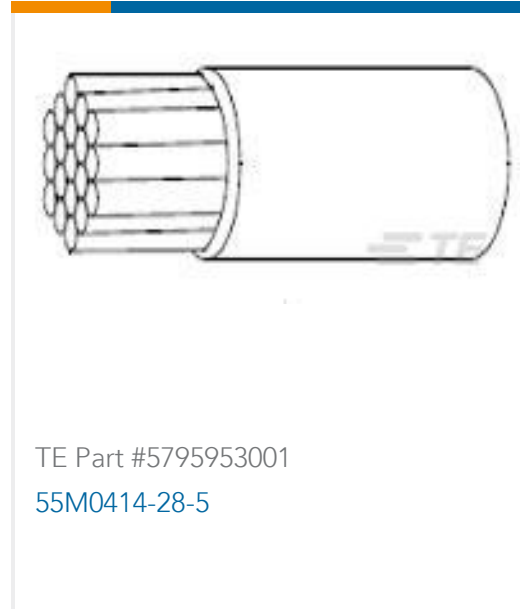
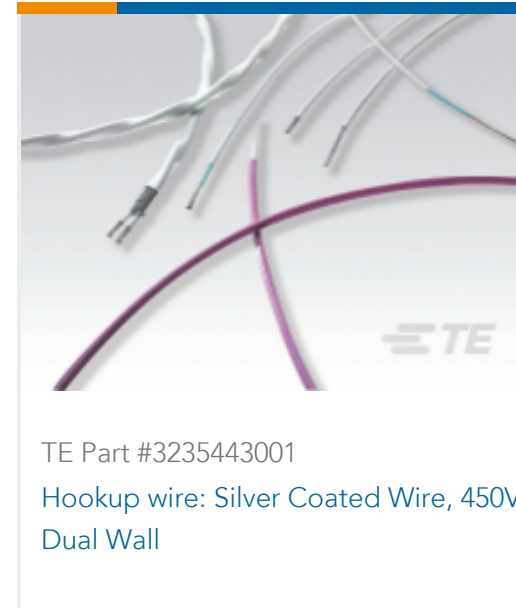
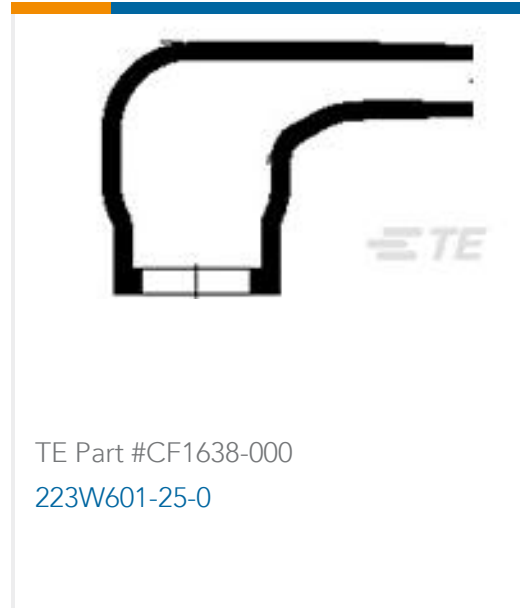
**Product Compliance Disclaimer**

This information is provided based on reasonable inquiry of our suppliers and represents our current actual knowledge based on the information they provided. This information is subject to change. The part numbers that TE has identified as EU RoHS compliant have a maximum concentration of 0.1% by weight in homogenous materials for lead, hexavalent chromium, mercury, PBB, PBDE, DBP, BBP, DEHP, DIBP, and 0.01% for cadmium, or qualify for an exemption to these limits as defined in the Annexes of Directive 2011/65/EU (RoHS2). Finished electrical and electronic equipment products will be CE marked as required by Directive 2011/65/EU. Components may not be CE marked. Additionally, the part numbers that TE has identified as EU ELV compliant have a maximum concentration of 0.1% by weight in homogenous materials for lead, hexavalent chromium, and mercury, and 0.01% for cadmium, or qualify for an exemption to these limits as defined in the Annexes of Directive 2000/53/EC (ELV). Regarding the REACH Regulation, the information TE provides on SVHC in articles for this part number is based on the latest European Chemicals Agency (ECHA) 'Guidance on requirements for substances in articles' posted at this URL: <https://echa.europa.eu/guidance-documents/guidance-on-reach>

**Compatible Parts**



**Customers Also Bought**



## Documents

### Product Drawings

[55M0414-28-4](#)

English