

3135233001 ✓ ACTIVE

RAYCHEM

TE Internal #: 3135233001

Spec 55, Operating Voltage 450 V, Silver-Coated High Strength Copper Alloy, 24 AWG Wire Size, Operating Temperature Range -65 – 200 °C, Hook Up Wire

[View on TE.com >](#)



Wire & Cable > Hook Up Wire



Cable Type: **Spec 55**

Operating Voltage: **450 V**

Wire & Cable Insulation Material: **Modified Radiation Cross-linked ETFE Polymer**

Conductor Material: **Silver-Coated High Strength Copper Alloy**

Wire Size: **24 AWG**

Features

Product Type Features

| | |
|-------------|---------|
| Cable Style | Primary |
|-------------|---------|

Configuration Features

| | |
|----------------------|---|
| Number of Conductors | 1 |
|----------------------|---|

Electrical Characteristics

| | |
|-------------------|-------|
| Operating Voltage | 450 V |
|-------------------|-------|

Body Features

| | |
|----------------------------------|--|
| Wire & Cable Insulation Material | Modified Radiation Cross-linked ETFE Polymer |
| Conductor Material | Silver-Coated High Strength Copper Alloy |
| Wire Color (Base) | Green |

Dimensions

| | |
|--------------------------|------------------------------|
| Outside Cable Diameter | .81 mm[.032 in] |
| Conductor Diameter Range | .57 – .59 mm[.022 – .023 in] |
| Wire Size | 24 AWG |

Usage Conditions

| | |
|-----------------------------|--------------|
| Cable Type | Spec 55 |
| Operating Temperature Range | -65 – 200 °C |



Other

| | |
|----------------|----|
| Product Source | UK |
|----------------|----|

Product Compliance


[For compliance documentation, visit the product page on TE.com>](#)

| | |
|---|---|
| EU RoHS Directive 2011/65/EU | Compliant |
| EU ELV Directive 2000/53/EC | Compliant |
| China RoHS 2 Directive MIIT Order No 32, 2016 | No Restricted Materials Above Threshold |
| EU REACH Regulation (EC) No. 1907/2006 | Current ECHA Candidate List: JUNE 2024 (241) Candidate List Declared Against: JUNE 2024 (241) Does not contain REACH SVHC |
| Halogen Content | Out of Scope - excluded from Halogen requirements |
| Solder Process Capability | Not applicable for solder process capability |

Product Compliance Disclaimer

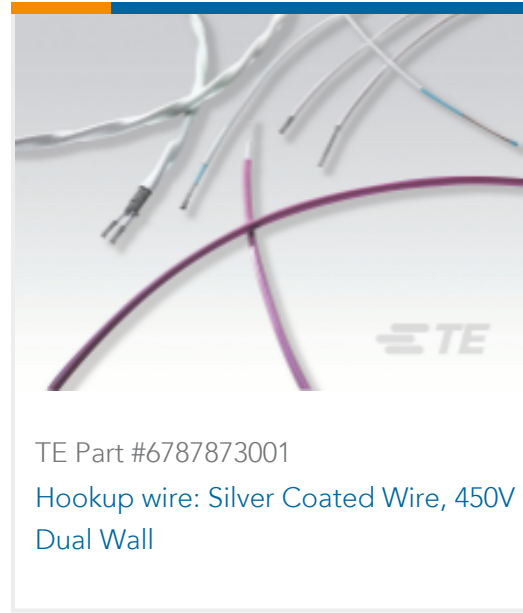
This information is provided based on reasonable inquiry of our suppliers and represents our current actual knowledge based on the information they provided. This information is subject to change. The part numbers that TE has identified as EU RoHS compliant have a maximum concentration of 0.1% by weight in homogenous materials for lead, hexavalent chromium, mercury, PBB, PBDE, DBP, BBP, DEHP, DIBP, and 0.01% for cadmium, or qualify for an exemption to these limits as defined in the Annexes of Directive 2011/65/EU (RoHS2). Finished electrical and electronic equipment products will be CE marked as required by Directive 2011/65/EU. Components may not be CE marked. Additionally, the part numbers that TE has identified as EU ELV compliant have a maximum concentration of 0.1% by weight in homogenous materials for lead, hexavalent chromium, and mercury, and 0.01% for cadmium, or qualify for an exemption to these limits as defined in the Annexes of Directive 2000/53/EC (ELV). Regarding the REACH Regulation, the information TE provides on SVHC in articles for this part number is based on the latest European Chemicals Agency (ECHA) 'Guidance on requirements for substances in articles' posted at this URL: <https://echa.europa.eu/guidance-documents/guidance-on-reach>

Compatible Parts



TE Part # D17660-000
D-200-82

Customers Also Bought



Documents

Product Drawings

55M0414-24-5

English