

6929263001 ✓ ACTIVE

RAYCHEM

TE Internal #: 6929263001

Hook Up Wire, Spec 55, Operating Voltage 450 V, Silver-Coated High Strength Copper Alloy, 24 AWG Wire Size, Operating Temperature Range -65 – 200 °C

[View on TE.com >](#)



Wire & Cable > Hook Up Wire > Hookup wire: Silver Coated Wire, 450V Dual Wall



Cable Type: **Spec 55**

Operating Voltage: **450 V**

Wire & Cable Insulation Material: **Modified Radiation Cross-linked ETFE Polymer**

Conductor Material: **Silver-Coated High Strength Copper Alloy**

Wire Size: **24 AWG**

[All Hookup wire: Silver Coated Wire, 450V Dual Wall \(26\)](#)

Features

Electrical Characteristics

Operating Voltage	450 V
-------------------	-------

Body Features

Cable Color	Yellow
Wire & Cable Insulation Material	Modified Radiation Cross-linked ETFE Polymer
Conductor Material	Silver-Coated High Strength Copper Alloy
Wire Color (Base)	Yellow

Dimensions

Wire Size	24 AWG
-----------	--------

Usage Conditions

Cable Type	Spec 55
Operating Temperature Range	-65 – 200 °C

Product Compliance

[For compliance documentation, visit the product page on TE.com>](#)

EU RoHS Directive 2011/65/EU	Compliant
------------------------------	-----------




EU ELV Directive 2000/53/EC	Compliant
China RoHS 2 Directive MIIT Order No 32, 2016	No Restricted Materials Above Threshold
EU REACH Regulation (EC) No. 1907/2006	Current ECHA Candidate List: JUNE 2023 (235) Candidate List Declared Against: JUNE 2023 (235) Does not contain REACH SVHC
Halogen Content	Out of Scope - excluded from Halogen requirements
Solder Process Capability	Not applicable for solder process capability

Product Compliance Disclaimer

This information is provided based on reasonable inquiry of our suppliers and represents our current actual knowledge based on the information they provided. This information is subject to change. The part numbers that TE has identified as EU RoHS compliant have a maximum concentration of 0.1% by weight in homogenous materials for lead, hexavalent chromium, mercury, PBB, PBDE, DBP, BBP, DEHP, DIBP, and 0.01% for cadmium, or qualify for an exemption to these limits as defined in the Annexes of Directive 2011/65/EU (RoHS2). Finished electrical and electronic equipment products will be CE marked as required by Directive 2011/65/EU. Components may not be CE marked. Additionally, the part numbers that TE has identified as EU ELV compliant have a maximum concentration of 0.1% by weight in homogenous materials for lead, hexavalent chromium, and mercury, and 0.01% for cadmium, or qualify for an exemption to these limits as defined in the Annexes of Directive 2000/53/EC (ELV). Regarding the REACH Regulation, the information TE provides on SVHC in articles for this part number is based on the latest European Chemicals Agency (ECHA) 'Guidance on requirements for substances in articles' posted at this URL: <https://echa.europa.eu/guidance-documents/guidance-on-reach>

Compatible Parts

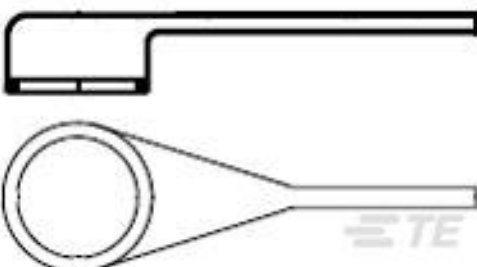


TE Part # D17660-000
D-200-82

Customers Also Bought



TE Part #806698-000
Heat Shrink Boots: Non Lipped, Straight



TE Part #806687-000
222D953-25-0



TE Part #650110-000
D-436-0128



TE Part #2160543004
55A0111-12-9



TE Part #CB03294012
RW-200-E-1/8-0-SP



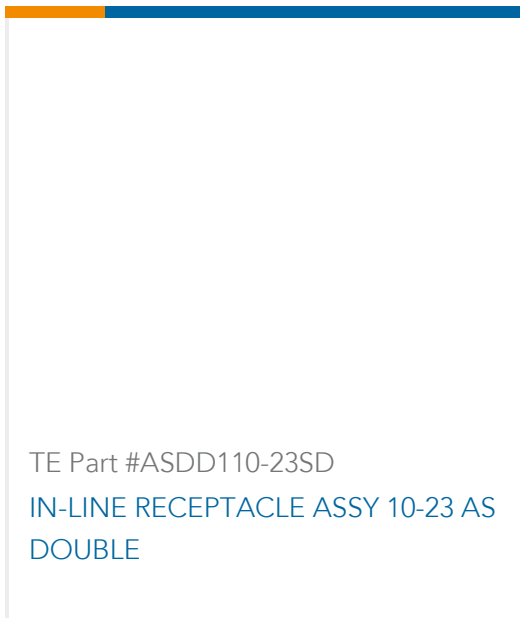
TE Part #2160013004
55A0111-22-9



TE Part #650083-000
D-436-59



TE Part #6014973001
55M0414-24-2



TE Part #ASDD110-23SD
IN-LINE RECEPTACLE ASSY 10-23 AS
DOUBLE

Documents

Product Drawings

[55M0414-24-4](#)

English

Datasheets & Catalog Pages

[1654025_Sec9_SPEC55](#)

English

[Raychem Wire and Cable Quick Reference Guide](#)

English