

55A1111-30-9-9 ✓ ACTIVE

RAYCHEM

TE Internal #: 0457173001

Twisted Pair Cable, Spec 55A, Operating Voltage 600 VAC, Tin-Coated Copper, 30 AWG Wire Size, Operating Temperature Range -65 – 150 °C

[View on TE.com >](#)



Wire & Cable > Twisted Pair Cable > General Purpose Single Core Cable: Tin-Coated Copper, 24-30 AWG



Cable Type: **Spec 55A**

Operating Voltage: **600 VAC**

Wire & Cable Insulation Material: **Radiation-Crosslinked, Modified ETFE**

Conductor Material: **Tin-Coated Copper**

Wire Size: **30 AWG**

[All General Purpose Single Core Cable: Tin-Coated Copper, 24-30 AWG \(10\)](#)

## Features

### Electrical Characteristics

Operating Voltage	600 VAC
-------------------	---------

### Body Features

Cable Color	White
Wire Color (Base)	White
Wire & Cable Insulation Material	Radiation-Crosslinked, Modified ETFE
Conductor Material	Tin-Coated Copper

### Dimensions

Wire Size	30 AWG
-----------	--------

### Usage Conditions

Cable Type	Spec 55A
Operating Temperature Range	-65 – 150 °C

## Product Compliance

[For compliance documentation, visit the product page on TE.com>](#)

EU RoHS Directive 2011/65/EU	Compliant
EU ELV Directive 2000/53/EC	Compliant

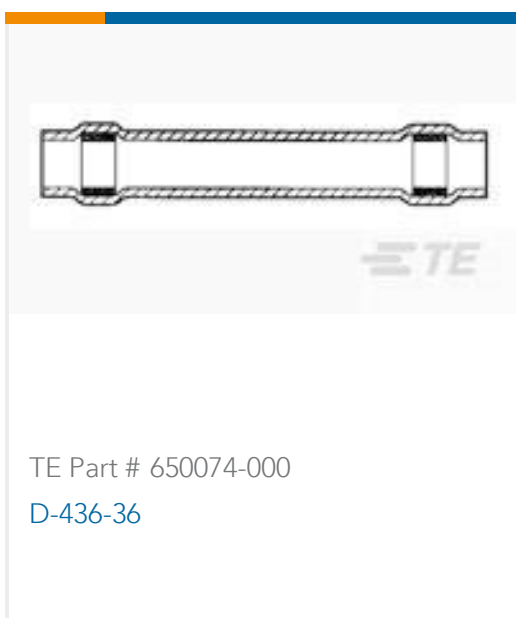


China RoHS 2 Directive MIIT Order No 32, 2016	No Restricted Materials Above Threshold
EU REACH Regulation (EC) No. 1907/2006	Current ECHA Candidate List: JUNE 2024 (241) Candidate List Declared Against: JAN 2024 (240) Does not contain REACH SVHC
Halogen Content	Out of Scope - excluded from Halogen requirements
Solder Process Capability	Not applicable for solder process capability

Product Compliance Disclaimer

This information is provided based on reasonable inquiry of our suppliers and represents our current actual knowledge based on the information they provided. This information is subject to change. The part numbers that TE has identified as EU RoHS compliant have a maximum concentration of 0.1% by weight in homogenous materials for lead, hexavalent chromium, mercury, PBB, PBDE, DBP, BBP, DEHP, DIBP, and 0.01% for cadmium, or qualify for an exemption to these limits as defined in the Annexes of Directive 2011/65/EU (RoHS2). Finished electrical and electronic equipment products will be CE marked as required by Directive 2011/65/EU. Components may not be CE marked. Additionally, the part numbers that TE has identified as EU ELV compliant have a maximum concentration of 0.1% by weight in homogenous materials for lead, hexavalent chromium, and mercury, and 0.01% for cadmium, or qualify for an exemption to these limits as defined in the Annexes of Directive 2000/53/EC (ELV). Regarding the REACH Regulation, the information TE provides on SVHC in articles for this part number is based on the latest European Chemicals Agency (ECHA) 'Guidance on requirements for substances in articles' posted at this URL: <https://echa.europa.eu/guidance-documents/guidance-on-reach>

### Compatible Parts



TE Part # 650074-000  
D-436-36

### Customers Also Bought



TE Part #2-1879233-5  
SMW5 1R0 5%



TE Part #1-2118909-3  
PCB Ant, MHF, 150mm, Wi-Fi 6E Triple



TE Part #L9000037-01  
Antenna 2.4 FPC LH 45x7 100 UFL



TE Part #L9000046-01  
Antenna 2.4 FPC LV 7x45 200 UFL



## Documents

### Product Drawings

55A1111-30-9-9

English