

55991-1 ✓ ACTIVE

SOLISTRAND

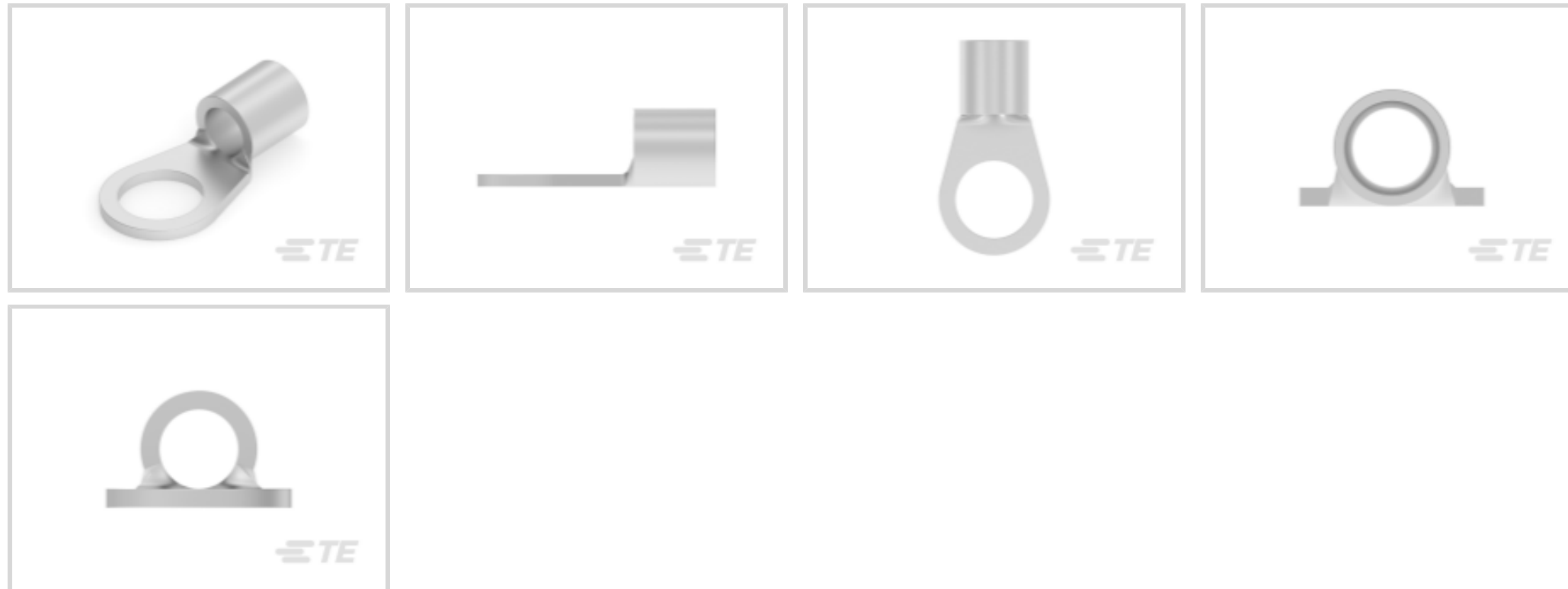
TE Internal #: 55991-1

Closed Ring Tongue Terminal, 8 AWG, 5/16 / M8 Stud Size, 8.33 mm [.327 in / .328 in] Stud Diameter, Closed Barrel, Straight, Tin, Uninsulated

[View on TE.com >](#)



Terminals & Splices > Ring Terminals



Ring Terminal Product Type: Closed Ring Tongue Terminal

Wire Size: 13100 – 20800 CMA

Stud Size: 5/16, M8

Features

Product Type Features

Ring Terminal Product Type	Closed Ring Tongue Terminal
Stud Size	5/16, M8
Sealable	No
Wire Insulation Support Retention Type	Non-Insulation Support

Configuration Features

Number of Holes	1
-----------------	---

Contact Features

Barrel Type	Closed
Terminal Orientation	Straight
Terminal Plating Material	Tin

Mechanical Attachment

Wire Insulation Support	Without
-------------------------	---------

Dimensions

Wire Size	13100 – 20800 CMA
Stud Diameter	8.33 mm [.327 in] [.328 in]



Tongue Thickness	1.22 mm[.048 in]
Product Length	23.7 mm[.931 in]
Barrel Inside Diameter	4.37 mm[.172 in]

Usage Conditions

Insulation Option	Uninsulated
Operating Temperature Range	170 °C[338 °F]

Operation/Application

Compatible With Wire Base Material	Copper
Compatible With Wire Plating Material	Tin

Industry Standards

Government Qualified Terminal	No
-------------------------------	----

Packaging Features

Packaging Quantity	100
Packaging Method	Loose Piece

Product Compliance

[For compliance documentation, visit the product page on TE.com>](#)

EU RoHS Directive 2011/65/EU	Compliant
EU ELV Directive 2000/53/EC	Compliant
China RoHS 2 Directive MIIT Order No 32, 2016	No Restricted Materials Above Threshold
EU REACH Regulation (EC) No. 1907/2006	Current ECHA Candidate List: JUNE 2024 (241) Candidate List Declared Against: JUNE 2024 (241) Does not contain REACH SVHC
Halogen Content	Low Halogen - Br, Cl, F, I < 900 ppm per homogenous material. Also BFR/CFR/PVC Free
Solder Process Capability	Not applicable for solder process capability

Product Compliance Disclaimer


This information is provided based on reasonable inquiry of our suppliers and represents our current actual knowledge based on the information they provided. This information is subject to change. The part numbers that TE has identified as EU RoHS compliant have a maximum concentration of 0.1% by weight in homogenous materials for lead, hexavalent chromium, mercury, PBB, PBDE, DBP, BBP, DEHP, DIBP, and 0.01% for cadmium, or qualify for an exemption to these limits as defined in the Annexes of Directive 2011/65/EU (RoHS2). Finished electrical and electronic equipment products will be CE marked as required by Directive 2011/65/EU. Components may not be CE marked. Additionally, the part numbers that TE has identified as EU ELV compliant have a maximum concentration of 0.1% by weight in homogenous materials for lead, hexavalent chromium, and mercury, and 0.01% for cadmium, or qualify for an exemption to these limits

as defined in the Annexes of Directive 2000/53/EC (ELV). Regarding the REACH Regulation, the information TE provides on SVHC in articles for this part number is based on the latest European Chemicals Agency (ECHA) 'Guidance on requirements for substances in articles' posted at this URL: <https://echa.europa.eu/guidance-documents/guidance-on-reach>

Compatible Parts



TE Part # 601075
 BANTAM ROTA-CRIMP TOOL



TE Part # 69355
 HHHT SOLIS SOLIS FLAG STRATO 8 ASSY




TE Part # 55991-2
 TERMINAL,SOLIS R 8 5/16



TE Part # 1490413-1
 HYP10 SOLIS 8AWG NEST



TE Part # 1490414-1
 HYP10 SOLIS 8AWG INDENTER



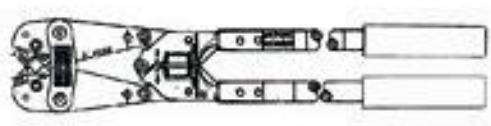
TE Part # 48355
 HYP8 SOLIS 8AWG INDENTER



TE Part # 69216
 HYP8/10 SOLIS 8AWG DIE SET



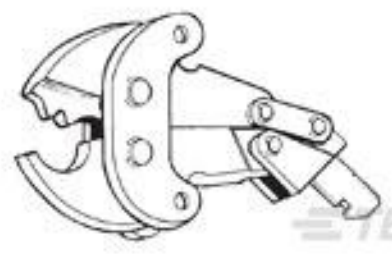
TE Part # 48126
 HYP8 SOLIS 8AWG NEST



TE Part # 600850
 ROTO-CRIMP TOOL (ASI)



TE Part # 69339
 HHHT SOLIS SOLIS FLAG STRATO 8 ASSY



TE Part # 49956
 PNEUMATIC SOLIS STRATO 8 HEAD

Customers Also Bought



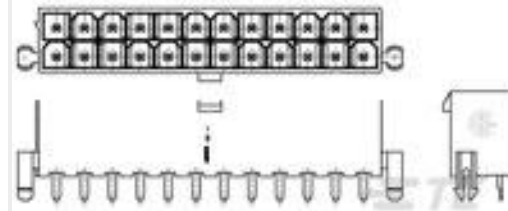
TE Part #1462041-3
 IMB06CGR=IM RELAY 140mW 12V HDV



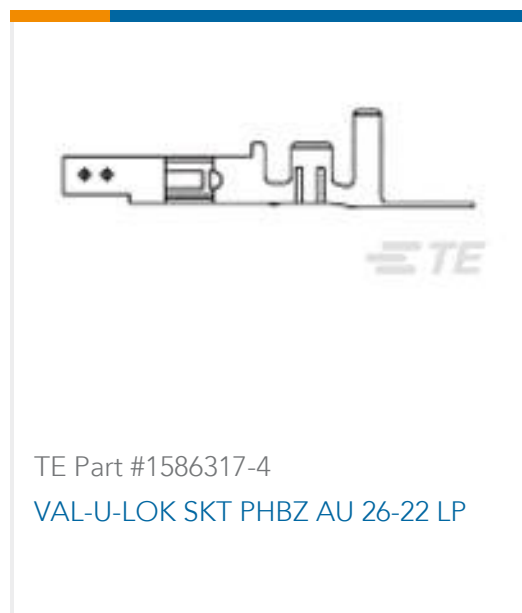
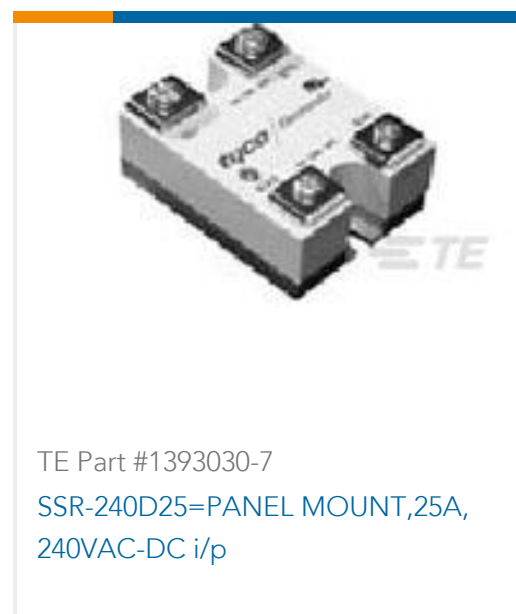
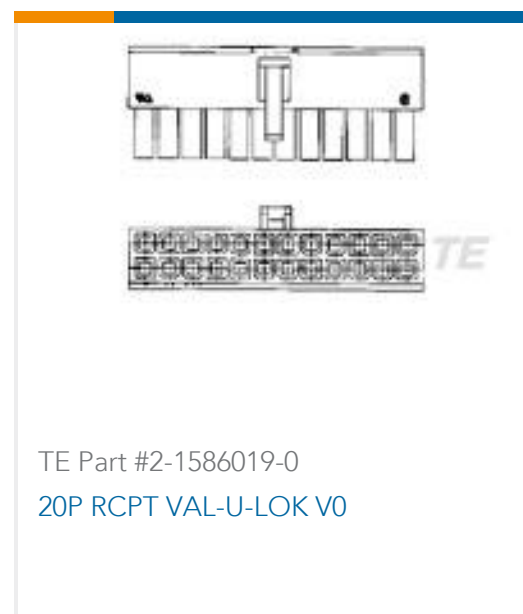
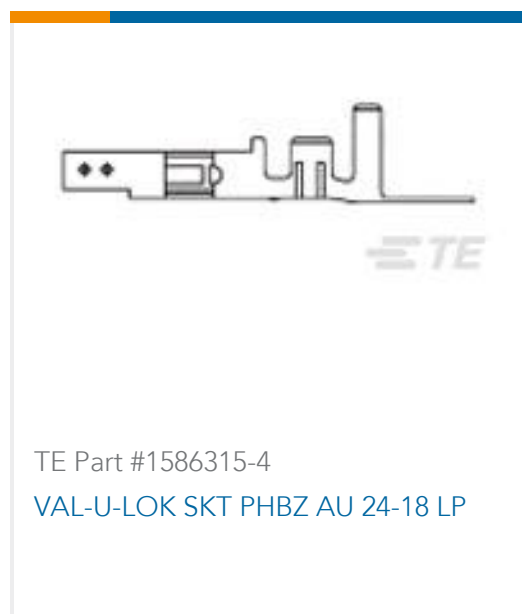
TE Part #35185
 TERMINAL,SOLIS R 2 1/2



TE Part #35183
 TERMINAL,SOLIS R 2 5/16



TE Part #1586040-2
 2P VAL-U-LOK VRT HDR W/P V0



Documents

Product Drawings

TERMINAL,SOLIS R 8 5/16

English

CAD Files

3D PDF

3D

Customer View Model

[ENG_CVM_CVM_55991-1_A.2d_dxf.zip](#)

English

Customer View Model

[ENG_CVM_CVM_55991-1_A.3d_igs.zip](#)

English

Customer View Model

[ENG_CVM_CVM_55991-1_A.3d_stp.zip](#)

English

By downloading the CAD file I accept and agree to the [Terms and Conditions](#) of use.

Agency Approvals

UL Report

English