

**PLEASE CHECK WWW.MOLEX.COM FOR LATEST PART INFORMATION**

**Part Number:** [55917-3230](#)  
**Status:** **Active**  
**Overview:** [MicroClasp™](#)  
**Description:** 2.00mm Pitch MicroClasp™ Wire-to-Board Header, Dual Row, Vertical, 32 Circuits, without PCB Locator

**Documents:**

[3D Model](#) [Product Specification PS-51353-003 \(PDF\)](#)  
[Drawing \(PDF\)](#) [RoHS Certificate of Compliance \(PDF\)](#)

**Agency Certification**

UL E29179

**General**

Product Family PCB Headers  
 Series [55917](#)  
 Application Signal, Wire-to-Board  
 Overview [MicroClasp™](#)  
 Product Name MicroClasp™  
 UPC 756054339022

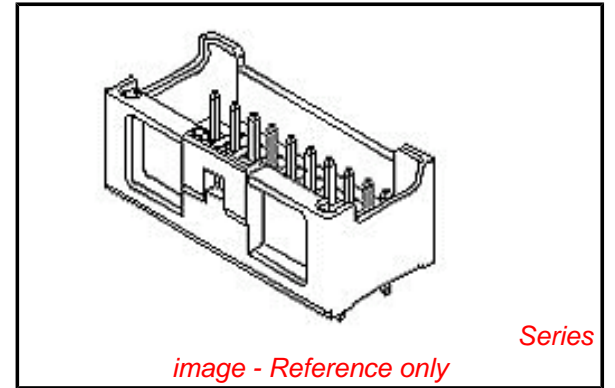
**Physical**

Breakaway No  
 Circuits (Loaded) 32  
 Circuits (maximum) 32  
 Color - Resin Natural  
 Durability (mating cycles max) 30  
 First Mate / Last Break No  
 Flammability 94V-0  
 Glow-Wire Compliant No  
 Guide to Mating Part No  
 Keying to Mating Part None  
 Lock to Mating Part Yes  
 Material - Plating Mating Tin  
 Material - Plating Termination Tin  
 Material - Resin Polyester  
 Net Weight 2226.900/mg  
 Number of Rows 2  
 Orientation Vertical  
 PC Tail Length 3.20mm  
 PCB Locator No  
 PCB Retention Yes  
 PCB Thickness - Recommended 1.60mm  
 Packaging Type Tray  
 Pitch - Mating Interface 2.00mm  
 Shrouded Fully  
 Stackable No  
 Surface Mount Compatible (SMC) No  
 Temperature Range - Operating -25°C to +85°C  
 Termination Interface: Style Through Hole

**Electrical**

Current - Maximum per Contact 3A  
 Voltage - Maximum 250V

**Material Info**



**EU RoHS**

**ELV and RoHS Compliant**  
**REACH SVHC Contains SVHC: No**  
**Low-Halogen Status Not Low-Halogen**

**China RoHS**



**Need more information on product environmental compliance?**

Email [productcompliance@molex.com](mailto:productcompliance@molex.com)  
 For a multiple part number RoHS Certificate of Compliance, [click here](#)

Please visit the [Contact Us](#) section for any non-product compliance questions.

**Search Parts in this Series**

[55917Series](#)

**Mates With**

[51353 MicroClasp™ Wire-to-Board Receptacle Housing](#)

## Reference - Drawing Numbers

Product Specification

PS-51353-003, RPS-501844-001, RPS-51353-008,  
RPS-51353-009, RPS-51353-014, RPS-51353-016,  
RPS-51353-018, RPS-51353-019, RPS-51353-020,  
RPS-51353-024, RPS-51353-025, RPS-51353-026,  
RPS-51353-030  
SD-55917-005

Sales Drawing

This document was generated on 06/06/2013

**PLEASE CHECK [WWW.MOLEX.COM](http://WWW.MOLEX.COM) FOR LATEST PART INFORMATION**