



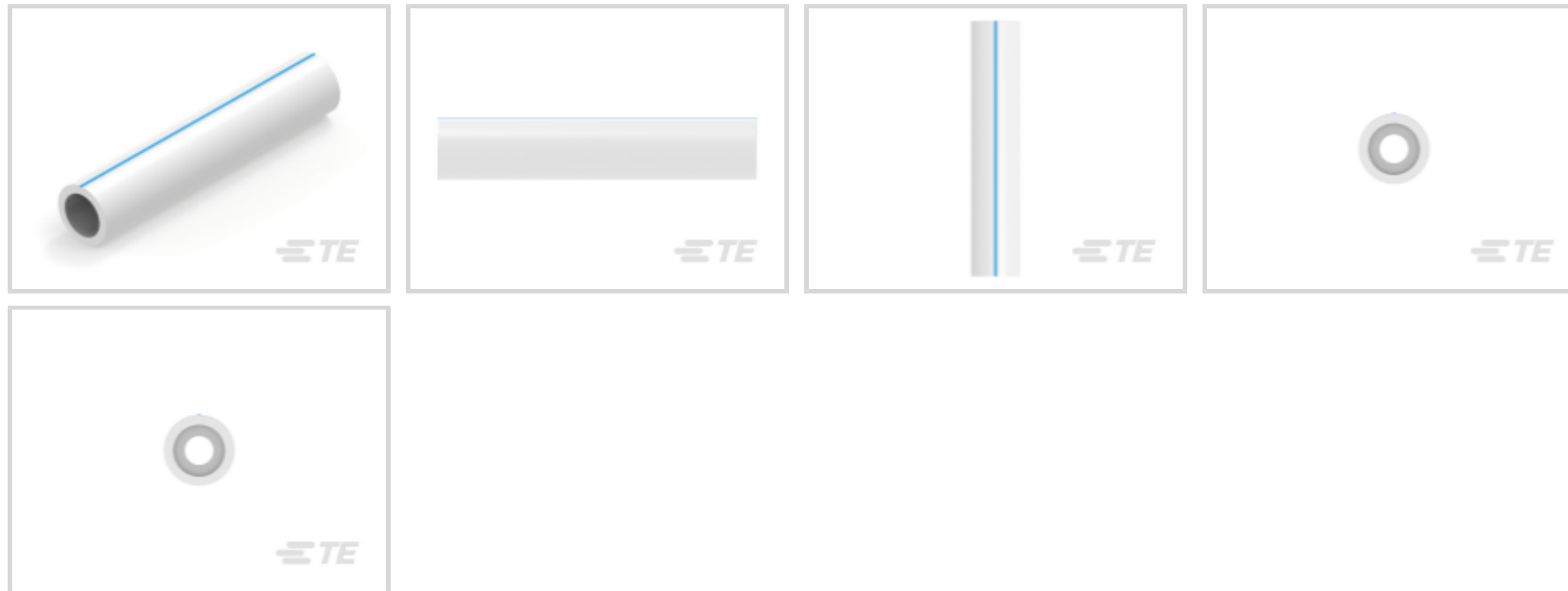
PLASTI-GRIP

TE Internal #: 55785-2

Splices, Butt Splice, 16 – 14 AWG Wire Size, 1.25 – 2 mm² Wire Size, Serrated, 2050 – 5180 CMA Wire Size, Copper, PLASTI-GRIP

[View on TE.com >](#)

Terminals & Splices > Splices



Wire Size: 1.25 – 2 mm²

Sealable: No

Splice Features: **Serrated**

Compatible Insulation Diameter Range: 4.32 mm [.17 in]

Features

Product Type Features

Splice Accessory Type	Splice
Sealable	No
Splice Type	Butt Splice
Compatible With Discrete Wire Type	Solid, Stranded
Wire Insulation Support Retention Type	Insulation Support

Configuration Features

Compatible With Wire & Cable Type	Discrete Wire
-----------------------------------	---------------

Body Features

Product Weight	.412 g
Insulation Material	Vinyl
Splice Features	Serrated

Contact Features

Contact Diameter	100 μin
Contact Base Material	Copper
Barrel Type	Closed



Mechanical Attachment

Wire Insulation Support	With
-------------------------	------

Dimensions

Wire Size	2050 – 5180 CMA
Compatible Insulation Diameter Range	4.32 mm[.17 in]
Product Length	27.05 mm[1.065 in]

Usage Conditions

Insulation Option	Fully Insulated
Operating Temperature Range	105 °C[221 °F]

Operation/Application

Compatible With Wire Base Material	Copper
------------------------------------	--------

Industry Standards

Government Qualified Splice	No
-----------------------------	----

Packaging Features

Packaging Quantity	2500
Packaging Method	Tape Mounted

Product Compliance

[For compliance documentation, visit the product page on TE.com>](#)

EU RoHS Directive 2011/65/EU	Compliant
EU ELV Directive 2000/53/EC	Compliant
China RoHS 2 Directive MIIT Order No 32, 2016	No Restricted Materials Above Threshold
EU REACH Regulation (EC) No. 1907/2006	Current ECHA Candidate List: JUNE 2023 (235) Candidate List Declared Against: JUNE 2023 (235) Does not contain REACH SVHC
Halogen Content	Not Low Halogen - contains Br or Cl > 900 ppm.
Solder Process Capability	Not applicable for solder process capability

Product Compliance Disclaimer

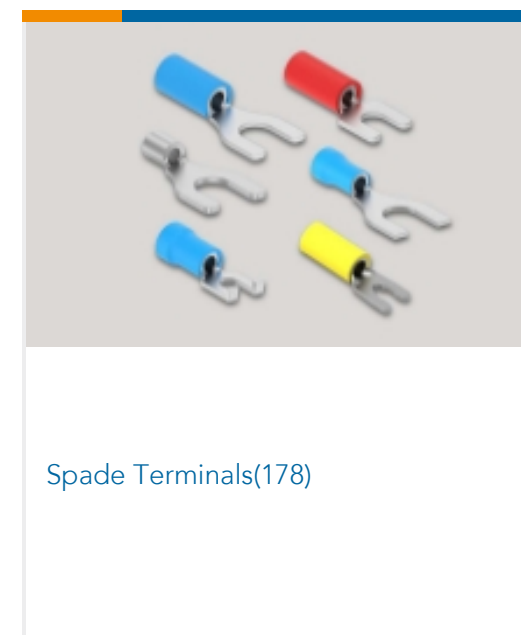
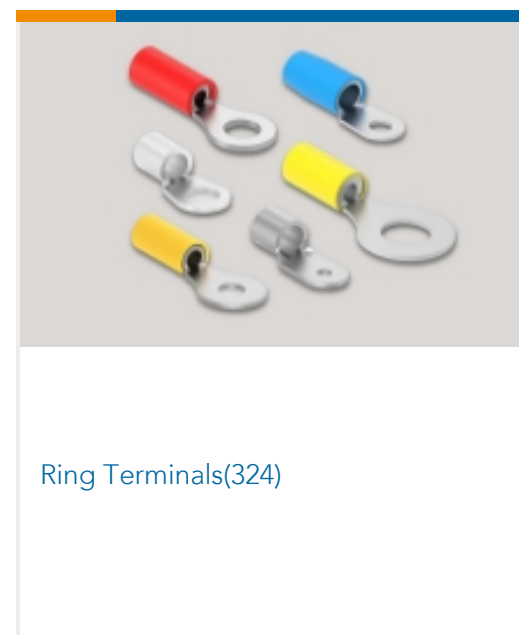
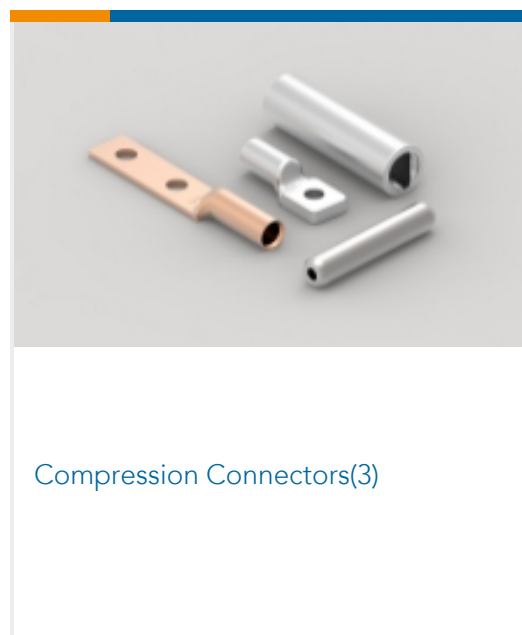
This information is provided based on reasonable inquiry of our suppliers and represents our current actual knowledge based on the information they provided. This information is subject to change. The part numbers that TE has identified as EU RoHS compliant have a maximum concentration of 0.1% by weight in homogenous materials for lead, hexavalent chromium, mercury, PBB, PBDE, DBP, BBP, DEHP, DIBP, and 0.01% for cadmium, or qualify for an exemption to these limits as defined in the Annexes of Directive 2011/65/EU (RoHS2). Finished electrical and electronic equipment products

will be CE marked as required by Directive 2011/65/EU. Components may not be CE marked. Additionally, the part numbers that TE has identified as EU ELV compliant have a maximum concentration of 0.1% by weight in homogenous materials for lead, hexavalent chromium, and mercury, and 0.01% for cadmium, or qualify for an exemption to these limits as defined in the Annexes of Directive 2000/53/EC (ELV). Regarding the REACH Regulation, the information TE provides on SVHC in articles for this part number is based on the latest European Chemicals Agency (ECHA) 'Guidance on requirements for substances in articles' posted at this URL: <https://echa.europa.eu/guidance-documents/guidance-on-reach>

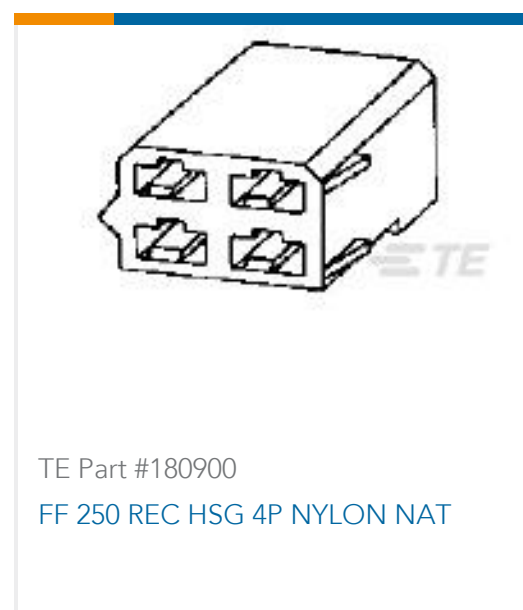
Compatible Parts



Also in the Series | PLASTI-GRIP

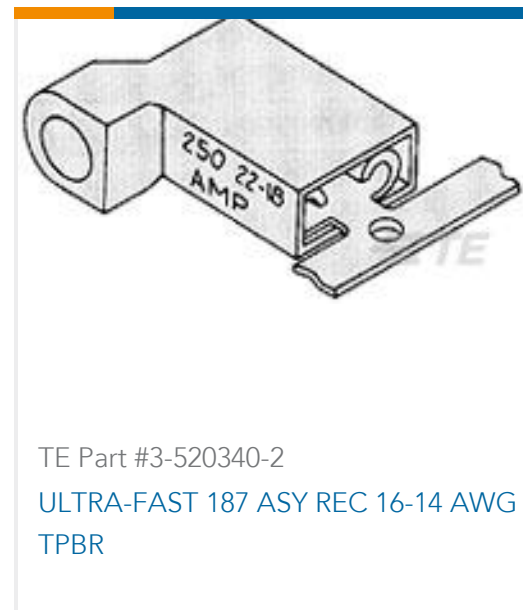


Customers Also Bought

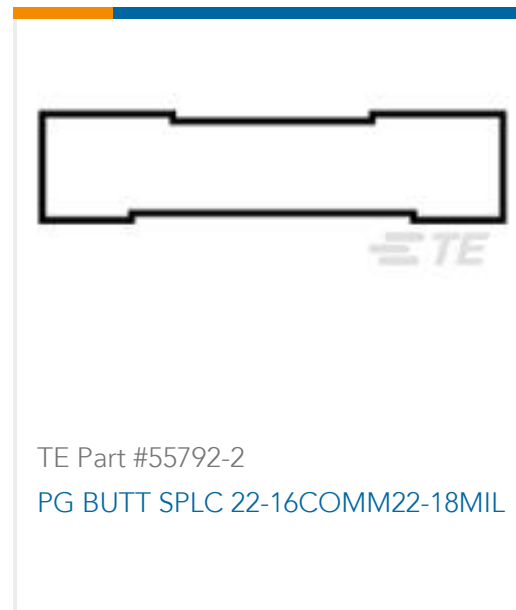




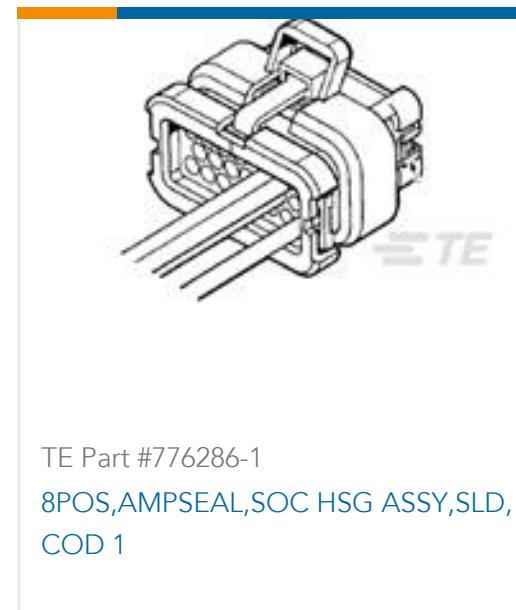
TE Part #1-480704-0
06P UMNL PLUG HSG NATL



TE Part #3-520340-2
ULTRA-FAST 187 ASY REC 16-14 AWG
TPBR



TE Part #55792-2
PG BUTT SPLC 22-16COMM22-18MIL



TE Part #776286-1
8POS,AMPSEAL,SOC HSG ASSY,SLD,
COD 1



TE Part #1-1414552-0
V23136A1001X057-EV-CBOX

Documents

Product Drawings

[SPLICE, BUTT P,G. 16-14 CLEAR](#)

English

CAD Files

[3D PDF](#)

3D

Customer View Model

[ENG_CVM_CVM_55785-2_D.2d_dxf.zip](#)

English

Customer View Model

[ENG_CVM_CVM_55785-2_D.3d_igs.zip](#)

English

Customer View Model

[ENG_CVM_CVM_55785-2_D.3d_stp.zip](#)

English

Customer View Model

[ENG_CVM_55785-2_C.3d_igs.zip](#)

English

Customer View Model

[ENG_CVM_55785-2_C.3d_stp.zip](#)

English

Customer View Model

[ENG_CVM_55785-2_C.2d_dxf.zip](#)

English

[3D PDF](#)

English



By downloading the CAD file I accept and agree to the [Terms and Conditions](#) of use.

Product Specifications

Application Specification

English

Agency Approvals

UL Report

English