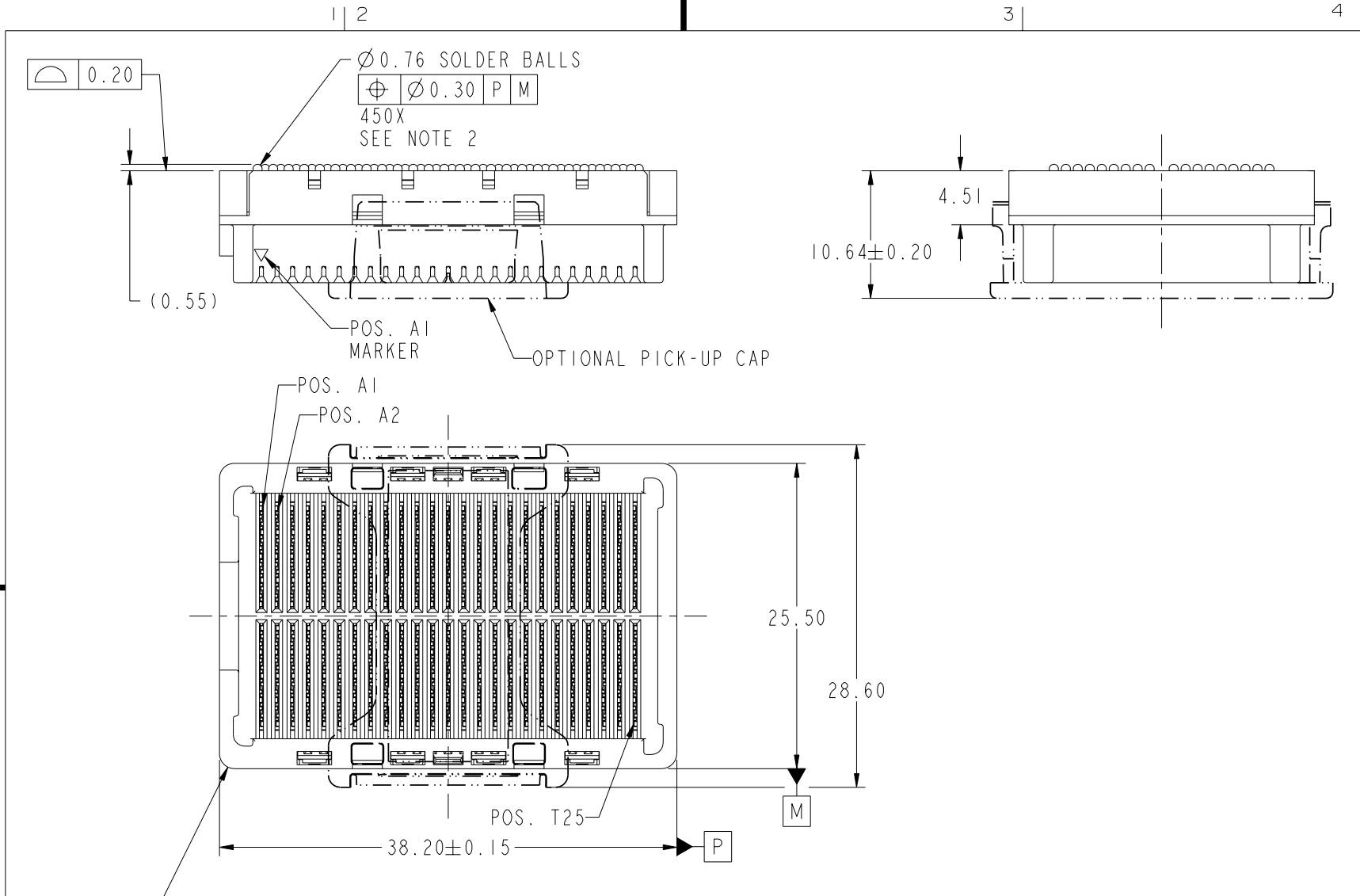




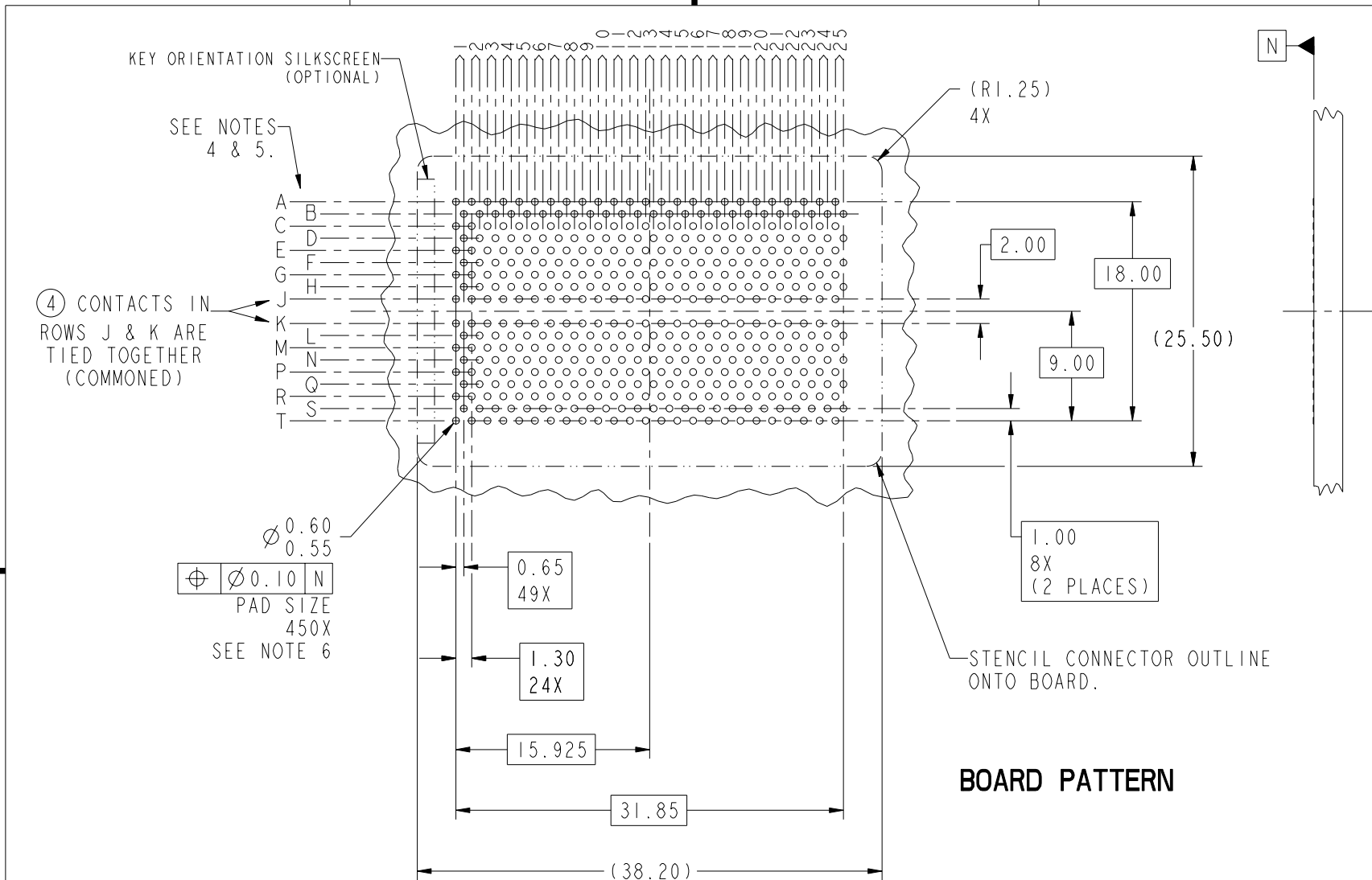
This document is the property of and embodies CONFIDENTIAL and PROPRIETARY information of FCI. No part of the information shown on this document may be used in any way or disclosed to others without the written consent of FCI. Copyright FCI.



mat'l code		SEE NOTE 1				tolerances unless otherwise specified		CUSTOMER		FCI	
lir	ecn no.	dr	date	linear	0.X ± 0.3		COPY		www.fciconnect.com		
A	V06-0001	DAI	2006-01-10	linear	0.XX ± 0.10		projection		title		
B	V06-0109	LP	2006-04-21	angles	0.XXX ± 0.050				GIG-Array 5mm RECP. ASSY. 200 SIG. POS.		
C	V06-0435	LP	2006-05-08	dr	0° $\pm 2^\circ$				product family		
D	V06-0523	LP	2006-05-31	engr	R. JOHNSON	2001-11-14	scale		GIG-Array		
E	V06-0558	LP	2006-06-21	chr	D. JOHNESCU	2001-11-14	2:1		code		
F	V08-0489	SM	2008-11-19	appd	D. JOHNESCU	2001-11-14	A		size		
sheet		revision		F		F		55740		213	
index		sheet		1		2		3		sheet	
				3		4		4		1 of 4	



This document is the property of and embodies CONFIDENTIAL and PROPRIETARY information of FCI. No part of the information shown on this document may be used in any way or disclosed to others without the written consent of FCI. Copyright FCI.

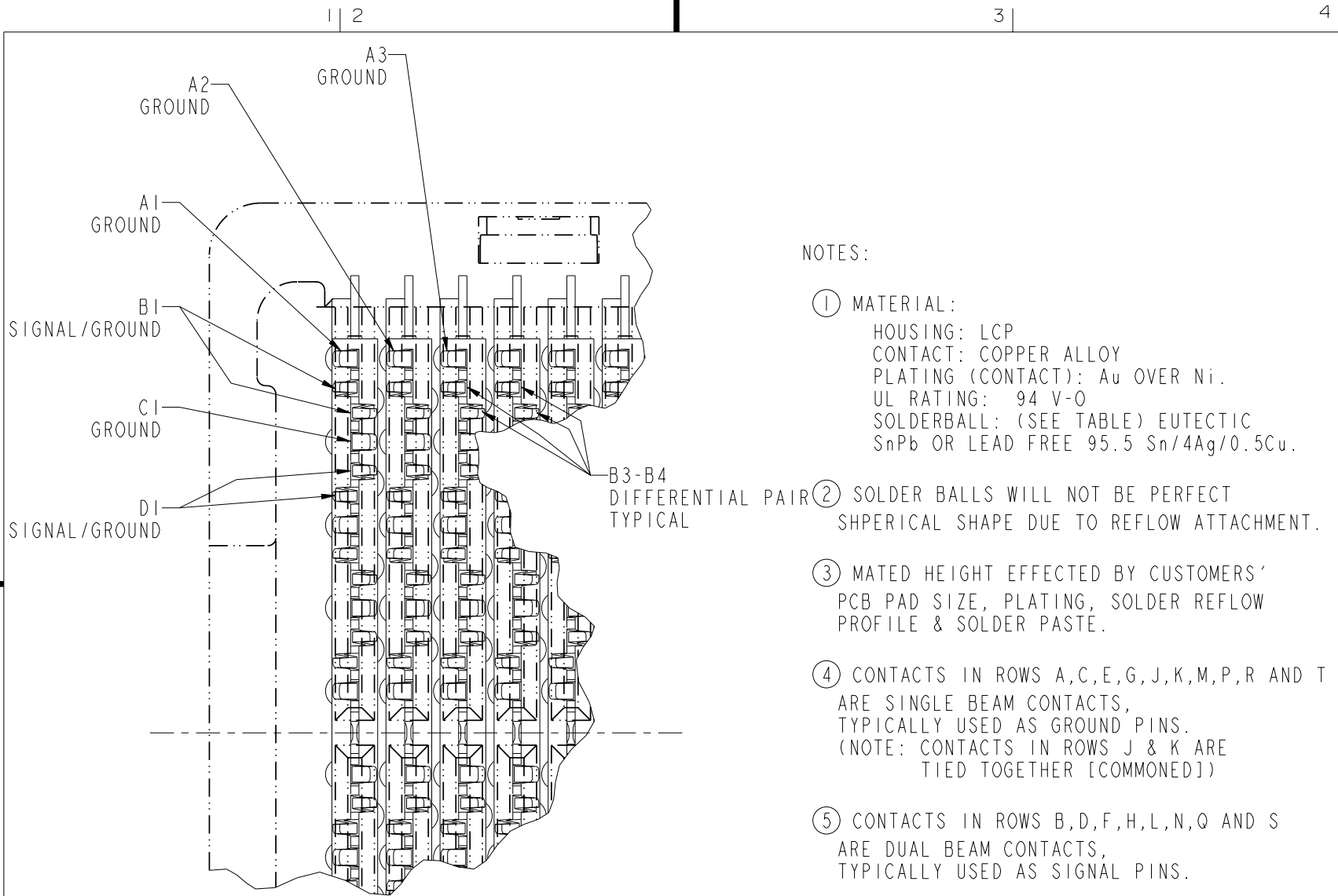


BOARD PATTERN

mat'l code		SEE NOTE 1		tolerances unless otherwise specified		CUSTOMER		 www.fciconnect.com	
lir	ecn no.	dr	date	linear	0.X ±0.3	COPY		title	
F				linear	0.XX ±0.10	projection		GIG-Array 5mm RECP. ASSY. 200 SIG. POS.	
				angles	0.XXX ±0.050			product family	
				dr	0° ±2°			GIG-Array	
				engr	R. JOHNSON 2001-11-14	size		code	
				chr	D. JOHNESCU 2001-11-14			213	
				appd	D. JOHNESCU 2001-11-14			sheet	
sheet index		revision sheet		scale		A		2	
				2:1		55740			



This document is the property of and embodies
 CONFIDENTIAL and PROPRIETARY information of FCI.
 No part of the information shown on this
 document may be used in any way or disclosed
 to others without the written consent of FCI.
 Copyright FCI.



NOTES:

- ① MATERIAL:
 HOUSING: LCP
 CONTACT: COPPER ALLOY
 PLATING (CONTACT): Au OVER Ni.
 UL RATING: 94 V-0
 SOLDERBALL: (SEE TABLE) EUTECTIC
 SnPb OR LEAD FREE 95.5 Sn/4Ag/0.5Cu.
- ② SOLDER BALLS WILL NOT BE PERFECT SPHERICAL SHAPE DUE TO REFLOW ATTACHMENT.
- ③ MATED HEIGHT EFFECTED BY CUSTOMERS' PCB PAD SIZE, PLATING, SOLDER REFLOW PROFILE & SOLDER PASTE.
- ④ CONTACTS IN ROWS A,C,E,G,J,K,M,P,R AND T ARE SINGLE BEAM CONTACTS, TYPICALLY USED AS GROUND PINS. (NOTE: CONTACTS IN ROWS J & K ARE TIED TOGETHER [COMMONED])
- ⑤ CONTACTS IN ROWS B,D,F,H,L,N,Q AND S ARE DUAL BEAM CONTACTS, TYPICALLY USED AS SIGNAL PINS.

RECEPTACLE INTERFACE DESCRIPTION

mat'l code		SEE NOTE 1		tolerances unless otherwise specified		CUSTOMER		FCI		www.fciconnect.com	
ltr	ecn no.	dr	date	linear	0.X ±0.3	COPY		title		GIG-Array	
F				projection	0.XX ±0.10	MM		5mm RECP. ASSY. 200 SIG. POS.		code	
				angles	0.XXX ±0.050	7:1		product family		GIG-Array	
		dr	R. JOHNSON	2001-11-14	0° ±2°	scale		size		dwg no	
		engr	D. JOHNESCU	2001-11-14		A		55740		213	
		chr	D. JOHNESCU	2001-11-14						sheet	
		appd	D. JOHNESCU	2001-11-14						3	
sheet index		revision sheet									

Pro/E

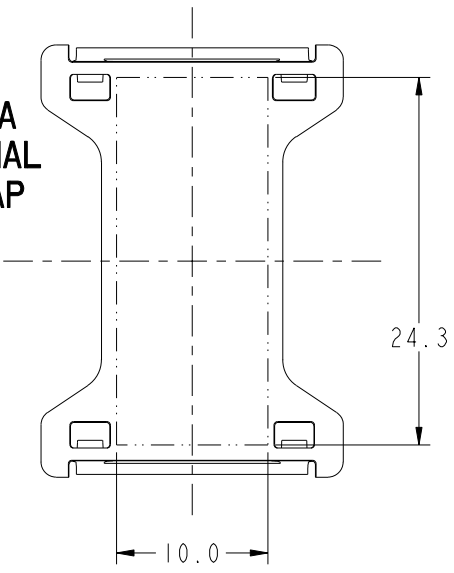
PDM: Rev:F

STATUS: Released

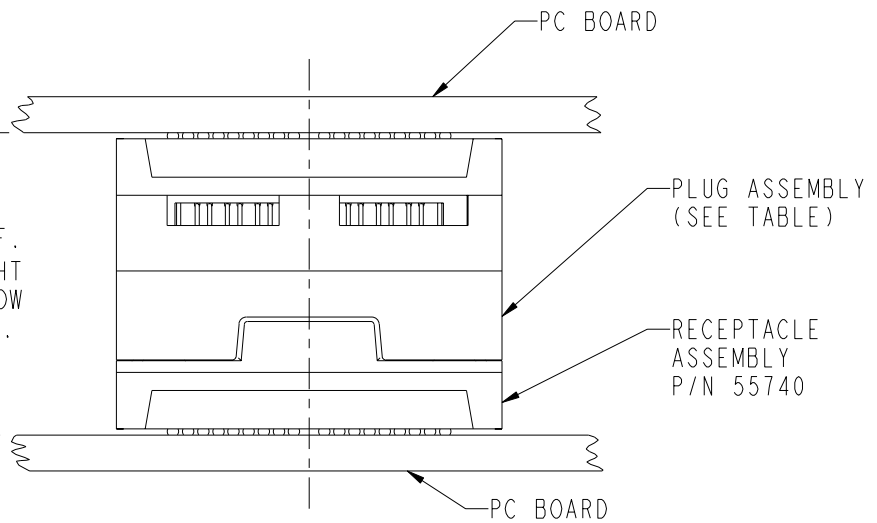
Printed: Sep 15, 2009

PRODUCT NUMBER	SOLDER BALL
55740-001	SnPb
55740-001LF	SnAgCu LEADFREE SEE NOTE 7 & 8

FLAT AREA FOR OPTIONAL PICK-UP CAP
SCALE 2:1



DIM "A" REF. MATED HEIGHT AFTER REFLOW SEE NOTE 3.



END VIEW OF MATED CONNECTORS
SCALE 2:1

DIM. "A"	PLUG ASSEMBLY P/N
15	55737
17	10026802
18	10030626
20	55738
25	55739
30	10054783

- 6. SPECIFIED POSITIONAL TOLERANCE DEFINES PAD TO PAD LOCATION WITHIN LAND PATTERN. POSITIONAL TOLERANCE OF LAND PATTERN TO FUDICIAL MARKS OR PCB DATUMS SHALL BE DEFINED BY CUSTOMER. FOR RECOMMENDED PRODUCT APPLICATION AND PCB DESIGN DETAILS, SEE DOC. NO. GS-20-016.
- 7. FOR PROPER APPLICATION FOLLOW FCI APPLICATION SPECIFICATION GS-20-033. LEAD FREE SOLDER BALLS WILL NOT SOLDER PROPERLY IN A LEADED SOLDER PROCESS DUE TO A HIGHER REFLOW TEMPERATURE. LEADFREE PRODUCT IS THEREFORE NOT BACKWARDS COMPATIBLE WITH LEADED OR SOME SOLDERING APPLICATIONS. REFERENCE FCI APPLICATION SPECIFICATION.
- 8. THIS PRODUCT MEETS THE EUROPEAN UNION DIRECTIVES AND OTHER COUNTRY REGULATIONS AS DESCRIBED IN GS-22-008. PRODUCT MEETING THIS DIRECTIVE IS IDENTIFIED IN THE CODE NUMBER MARKED ON EACH PART BY HAVING AN "X" IN THE SEVENTH CHARACTER POSITION.

mat'l code		SEE NOTE 1		tolerances unless otherwise specified		CUSTOMER		FCI		www.fciconnect.com	
lfr	ecn no.	dr	date	linear	0.X ±0.3	COPY		projection		title	
F					0.XX ±0.10			⊕		GIG-Array	
				angles	0° ±2°					5mm RECP. ASSY. 200 SIG. POS.	
		dr	R. JOHNSON	2001-11-14		MM		product family		GIG-Array	
		engr	D. HARPER	2001-01-10		←		size		213	
		chr	D. JOHNSCU	2001-11-14		scale		dwg no		sheet	
		appd	D. JOHNSCU	2001-11-14		2:1		A		4	
sheet index		revision sheet									



This document is the property of and embodies CONFIDENTIAL and PROPRIETARY information of FCI. No part of the information shown on this document may be used in any way or disclosed to others without the written consent of FCI. Copyright FCI.