

55680-1 ✓ ACTIVE

PLASTI-GRIP

TE Internal #: 55680-1

Rings & Spades, Ring Tongue, 4AWG Wire Size, 16.77 – 26.65mm²

Wire Size, 33100 – 52600CMA Wire Size, 1/4, Stud Diameter 6.73 mm [.26 in]

[View on TE.com >](#)



Terminals & Splices > Rings & Spades



Terminal & Splice Type: **Ring Tongue**

Wire Size: **33100 – 52600 CMA**

Stud Size: **1/4**

Features

Product Type Features

| | |
|-------------------|--------------------|
| Shape Description | RING-044 |
| Stud Size | 1/4 |
| Barrel Type | Closed Barrel |
| Sealable | No |
| Insulated | Yes |
| Wire/Cable Type | Regular Wire |
| Support Style | Insulation Support |

Configuration Features

| | |
|----------------|----------|
| Terminal Angle | Straight |
|----------------|----------|

Electrical Characteristics

| | |
|---------------|-------|
| Voltage (Max) | 600 V |
|---------------|-------|

Body Features

| | |
|------------------|-------------|
| Plating Material | Copper, Tin |
|------------------|-------------|

Contact Features

| | |
|------------------------|-------------|
| Terminal & Splice Type | Ring Tongue |
| Terminal Orientation | Straight |

Mechanical Attachment

| | |
|-------------------------|------|
| Wire Insulation Support | With |
|-------------------------|------|

Dimensions

| | |
|--------------------------------|--------------------|
| Wire Size | 33100 – 52600 CMA |
| Stud Diameter | 6.73 mm[.26 in] |
| Tongue Thickness | 1.22 mm[.048 in] |
| Overall Length | 48.95 mm[1.927 in] |
| Wire Insulation Diameter (Max) | 11.43 mm[.45 in] |
| Wire Insulation Diameter | 11.43 mm[.45 in] |

Usage Conditions

| | |
|-----------------------------|----------------|
| Operating Temperature Range | 105 °C[221 °F] |
|-----------------------------|----------------|

Operation/Application

| | |
|------------|----|
| Heavy Duty | No |
|------------|----|

Industry Standards

| | |
|----------------------|----|
| Government Qualified | No |
|----------------------|----|

Packaging Features

| | |
|--------------------|-------------|
| Packaging Quantity | 100 |
| Packaging Method | Loose Piece |

Product Compliance

[For compliance documentation, visit the product page on TE.com>](#)

| | |
|---|---|
| EU RoHS Directive 2011/65/EU | Not Yet Reviewed |
| EU ELV Directive 2000/53/EC | Compliant |
| China RoHS 2 Directive MIIT Order No 32, 2016 | No Restricted Materials Above Threshold |
| EU REACH Regulation (EC) No. 1907/2006 | Current ECHA Candidate List: JUN 2020 (209) Candidate List Declared Against: JUN 2016 (169) Does not contain REACH SVHC |
| Halogen Content | Not Yet Reviewed for halogen content |
| Solder Process Capability | Not reviewed for solder process capability |

Product Compliance Disclaimer

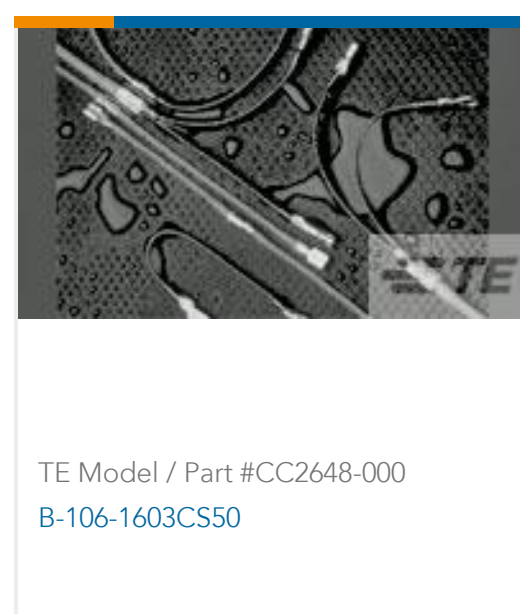
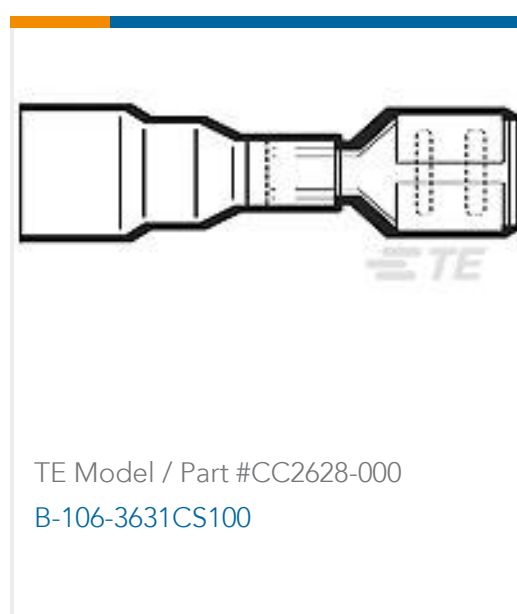
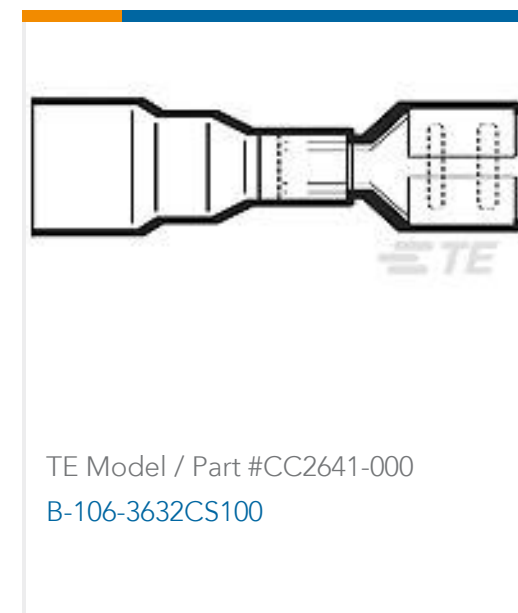
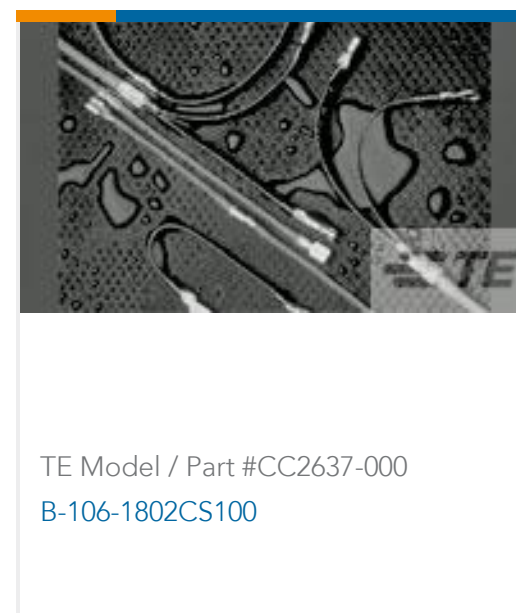
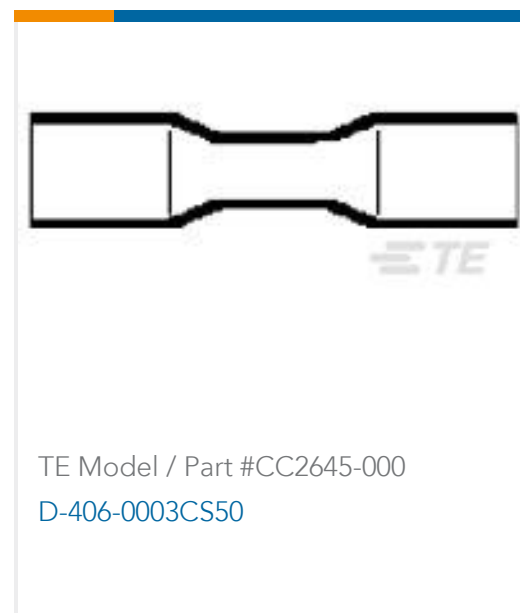
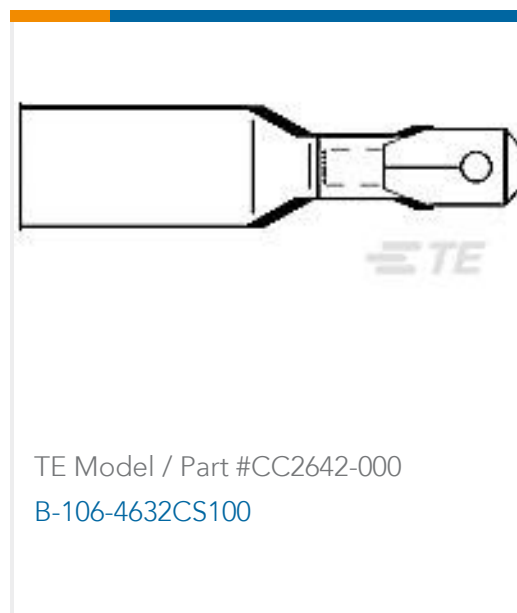
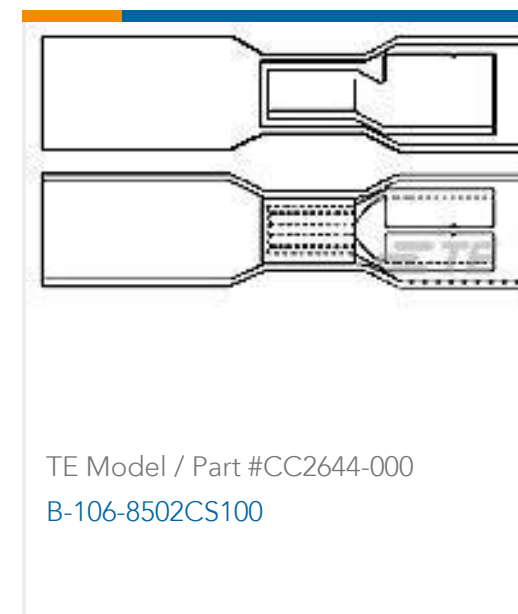
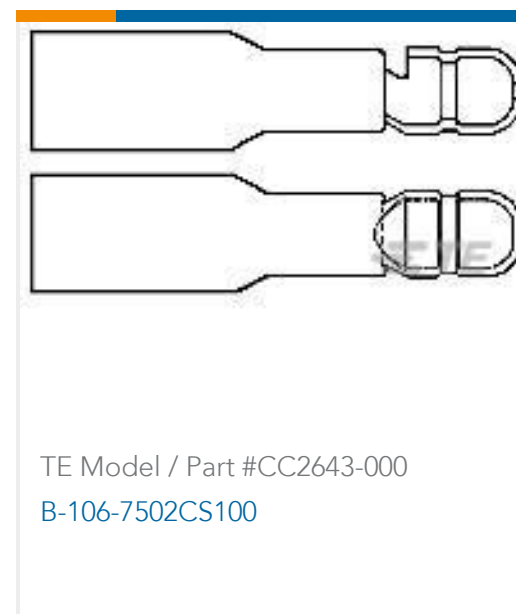
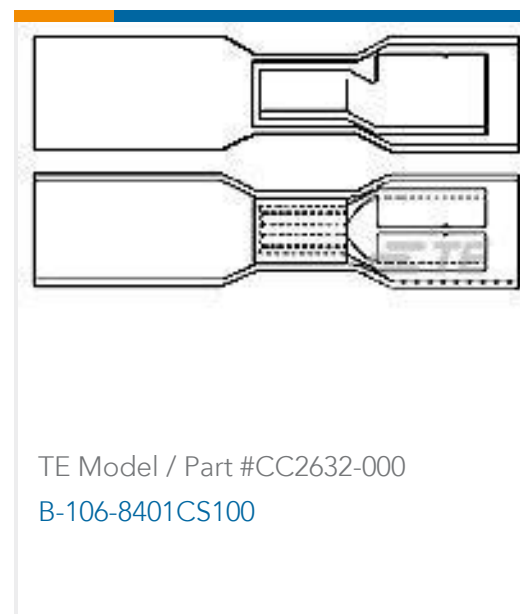
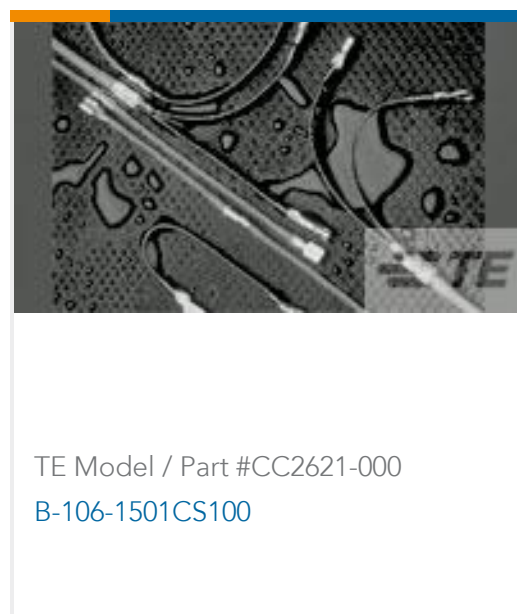
This information is provided based on reasonable inquiry of our suppliers and represents our current actual knowledge based on the information they provided. This information is subject to change. The part numbers that TE has identified as EU RoHS compliant have a maximum concentration of 0.1% by weight in homogenous materials for lead, hexavalent chromium, mercury, PBB, PBDE, DBP, BBP, DEHP, DIBP, and 0.01% for cadmium, or qualify for an exemption to these limits as defined in the Annexes of Directive 2011/65/EU (RoHS2). Finished electrical and electronic equipment products will be CE marked as required by Directive 2011/65/EU. Components may not be CE marked. Additionally, the part numbers that TE has identified as EU ELV compliant have a maximum concentration of 0.1% by weight in homogenous materials for lead, hexavalent chromium, and mercury, and 0.01% for cadmium, or qualify for an exemption to these limits as defined in the Annexes of Directive 2000/53/EC (ELV). Regarding the REACH Regulations, TE's information on SVHC in

articles for this part number is still based on the European Chemical Agency (ECHA) 'Guidance on requirements for substances in articles' (Version: 2, April 2011), applying the 0.1% weight on weight concentration threshold at the finished product level. TE is aware of the European Court of Justice ruling of September 10th, 2015 also known as O5A (Once An Article Always An Article) stating that, in case of 'complex object', the threshold for a SVHC must be applied to both the product as a whole and simultaneously to each of the articles forming part of its composition. TE has evaluated this ruling based on the new ECHA "Guidance on requirements for substances in articles" (June 2017, version 4.0) and will be updating its statements accordingly.

Compatible Parts



Customers Also Bought



Documents

Product Drawings



TERM,PG RING #4 1/4

English

CAD Files

3D PDF

3D

Customer View Model

[ENG_CVM_CVM_55680-1_G.2d_dxf.zip](#)

English

Customer View Model

[ENG_CVM_CVM_55680-1_G.3d_igs.zip](#)

English

Customer View Model

[ENG_CVM_CVM_55680-1_G.3d_stp.zip](#)

English

By downloading the CAD file I accept and agree to the [Terms and Conditions](#) of use.

Product Specifications

Application Specification

English

Instruction Sheets

Instruction Sheet (U.S.)

English