



556 SERIES

Standard Panel Mount Indicators

Constant Intensity, 18–48VDC

MECHANICAL / SPECIFICATIONS

MOUNTING HOLE SIZE:
1.0" (25.4 mm)

MAX PANEL THICKNESS:
Flat: 0.600" (15.24 mm)
Dome: 0.187" (4.27 mm)

MOUNTING TORQUE: 40 in-lbs

VOLTAGE OPTIONS: 18–48VDC
(internal resistor included)

OPERATING TEMP:
-30 °C to +85 °C (-22 °F to +185 °F)

STORAGE TEMP:
-40 °C to +100 °C (-40 °F to +212 °F)

ELECTRICAL CONNECTION:
6-32 screw terminals

HOUSING: Brass–
White or Black Nickel Plated

TERMINALS: Brass – Hot solder dip
per Mil-F-14072D, M258, Type II

LENS MATERIAL: Transparent
Polycarbonate (UL 94V-0)

LOCK WASHER: Phosphor Bronze–
White or Black Nickel Plated

NUT: Phosphor Bronze–
White or Black Nickel Plated

CERTIFICATIONS & RATINGS

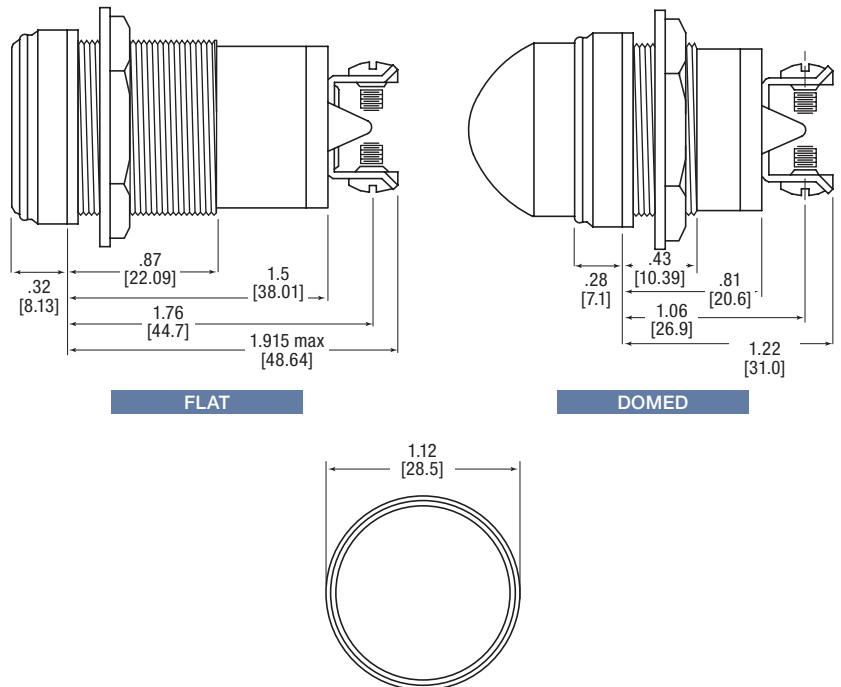
IP66
NEMA 4X
RoHS Compliant w/6C exemption
IK07

APPLICATION

The 556 Series LED Panel Mount Indicators incorporate both InGaN and AlInGaP technologies to offer maximum light output. This is a highly durable package, designed to withstand outdoor applications susceptible to rain, dust and sunlight:

- Instrument panels
- Safety applications
- Transportation: rail, bus, airline
- Vending, gaming
- Lane control
- Display lighting

DIMENSIONS inches [mm]



ORDERING INFORMATION

| FLAT LENS | | DOMED LENS | | Color | Voltage (vdc) | Typ Current (mA) | Typical Intensity (mcd) |
|-------------------------------|-------------------------------|-------------------------------|-------------------------------|----------|---------------|------------------|-------------------------|
| White Nickel Plating | Black Nickel Plating | White Nickel Plating | Black Nickel Plating | | | | |
| 556-150A-304F | 556-150A-204F | 556-350A-304F | 556-350A-204F | ● Red | 18–48 | 7.3–8.2 | 1470–1500 |
| 556-160A-304F | 556-160A-204F | 556-360A-304F | 556-360A-204F | ● Green | | 6.5–7.4 | 200–230 |
| 556-170A-304F | 556-170A-204F | 556-370A-304F | 556-370A-204F | ● Yellow | | 8.0–8.9 | 630–660 |



Dialight reserves the right to make changes at any time in order to supply the best product possible. The most current version of this document will always be available at: www.dialightsignalsandcomponents.com

Warranty Statement: Except for the warranty expressly provided for at: www.dialight.com/resources/warranties/, Dialight disclaims any and all other warranties, express or implied, including, without limitation, any warranties of merchantability, fitness for a particular purpose, title, and noninfringement.