

5556622-2 ✓ ACTIVE

CHAMP

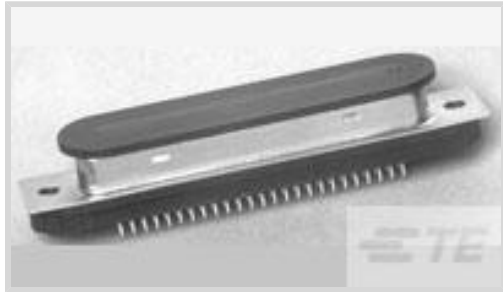
TE Internal #: 5556622-2

PCB D-Sub Connectors, Receptacle, Cable-to-Board, 64 Position,
2.16 mm [.085 in] Centerline, 2 Row, Standard Profile, Vertical, PCB
Mount Retention

[View on TE.com >](#)



Connectors > D-Shaped Connectors > D-Sub Connectors > PCB D-Sub Connectors > D-Sub Receptacle Assembly: Vertical, Action Pin, 2.16mm



Connector & Housing Type: **Receptacle**

Connector System: **Cable-to-Board**

Number of Positions: **64**

Centerline (Pitch): **2.16 mm [.085 in]**

Number of Rows: **2**

[All D-Sub Receptacle Assembly: Vertical, Action Pin, 2.16mm \(10\)](#)

Features

Product Type Features

Connector & Housing Type	Receptacle
Connector System	Cable-to-Board
Connector & Contact Terminates To	Printed Circuit Board

Configuration Features

Number of Positions	64
Number of Rows	2
PCB Mount Orientation	Vertical

Body Features

Insert Material	Brass
Shield Plating Material	Nickel
Shield Material	Carbon Steel
Primary Product Color	Black
Connector Profile	Standard

Contact Features

	30 μ m
Contact Mating Area Plating Material	Gold
PCB Contact Termination Area Plating Material	Tin



Contact Base Material	Phosphor Bronze
-----------------------	-----------------

Termination Features

Rectangular Termination Post & Tail Thickness	.66 mm[.026 in]
Rectangular Termination Post & Tail Width	.48 mm[.019 in]
Termination Post & Tail Length	4.57 mm[.18 in]
Termination Method to Printed Circuit Board	Through Hole - Press-Fit

Mechanical Attachment

PCB Mount Retention	With
PCB Mount Retention Type	Retention Leg
Mating Retention	With
Mating Retention Type	Screwlocks
Connector Mounting Type	Panel Mount

Housing Features

Housing Material	Polyphenylene Oxide (PPO)
Centerline (Pitch)	2.16 mm[.085 in]

Dimensions

Row-to-Row Spacing	4.3 mm[.169 in]
--------------------	-----------------

Usage Conditions

Operating Temperature Range	-40 – 105 °C[-40 – 221 °F]
-----------------------------	----------------------------

Operation/Application

Shielded	Yes
Circuit Application	Signal

Industry Standards

UL Flammability Rating	UL 94V-0
------------------------	----------

Packaging Features

Packaging Quantity	20
Packaging Method	Tray

Product Compliance

[For compliance documentation, visit the product page on TE.com>](#)

EU RoHS Directive 2011/65/EU	Compliant with Exemptions
------------------------------	---------------------------



EU ELV Directive 2000/53/EC

Compliant with Exemptions

China RoHS 2 Directive MIIT Order No 32, 2016

Restricted Materials Above Threshold

EU REACH Regulation (EC) No. 1907/2006

Current ECHA Candidate List: JUNE 2023 (235)

Candidate List Declared Against: JUNE 2023 (235)

SVHC > Threshold:

Pb (3.7% in Component Part)

Article Safe Usage Statements:

Do not eat, drink or smoke when using this product. Wash thoroughly after handling. Recycle if possible and dispose of the article by following all applicable governmental regulations relevant to your geographic location.

Halogen Content

Not Low Halogen - contains Br or Cl > 900 ppm.

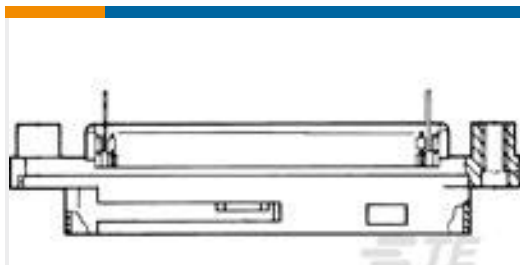
Solder Process Capability

Not applicable for solder process capability

Product Compliance Disclaimer

This information is provided based on reasonable inquiry of our suppliers and represents our current actual knowledge based on the information they provided. This information is subject to change. The part numbers that TE has identified as EU RoHS compliant have a maximum concentration of 0.1% by weight in homogenous materials for lead, hexavalent chromium, mercury, PBB, PBDE, DBP, BBP, DEHP, DIBP, and 0.01% for cadmium, or qualify for an exemption to these limits as defined in the Annexes of Directive 2011/65/EU (RoHS2). Finished electrical and electronic equipment products will be CE marked as required by Directive 2011/65/EU. Components may not be CE marked. Additionally, the part numbers that TE has identified as EU ELV compliant have a maximum concentration of 0.1% by weight in homogenous materials for lead, hexavalent chromium, and mercury, and 0.01% for cadmium, or qualify for an exemption to these limits as defined in the Annexes of Directive 2000/53/EC (ELV). Regarding the REACH Regulation, the information TE provides on SVHC in articles for this part number is based on the latest European Chemicals Agency (ECHA) 'Guidance on requirements for substances in articles' posted at this URL: <https://echa.europa.eu/guidance-documents/guidance-on-reach>

Compatible Parts



TE Part # 5552243-1
ASSY, PLUG, 64 POS, VERT MTG

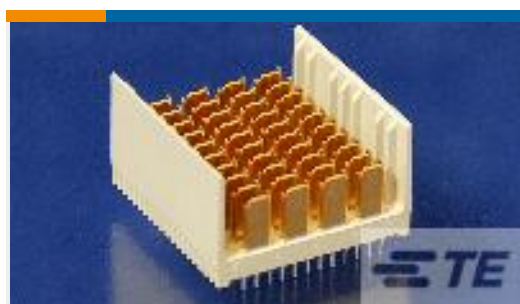
Customers Also Bought



TE Part #1-2007394-5
SFP+assy 2x4 Spring Fingers 4



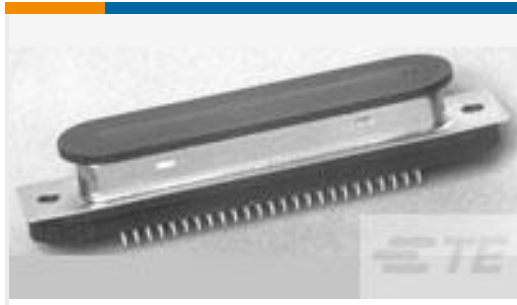
TE Part #2-6609075-5
10DAS1=F7987



TE Part #6469074-1
HM-ZD 4PR HDR ASSY 1.8MM



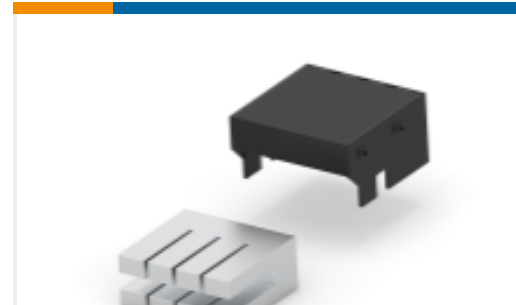
TE Part #5767017-3
MICT,900PLUG,114,ASSY,.025,REC



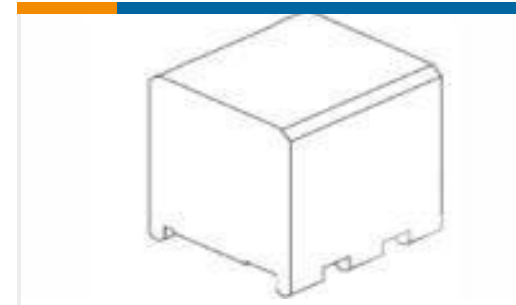
TE Part #5556622-1
RCPT ASSY, 64 POS, SHLD, ACTN PIN



TE Part #1888506-1
2X4 OFFSET, SHLD, RJ45, STJK ASSY



TE Part #2018280-3
KIT, SEATING TOOL, SFP+2x4



TE Part #91347-1
SEATING TOOL, HMZD RCPT, 4 PAIR



TE Part #2063048-3
SFP, 2x2 EXTRACTION TOOL ASSY

Documents

Product Drawings

[RCPT ASSY, 64P, SHLD, A-PIN, SN-PB](#)

English

CAD Files

[3D PDF](#)

English

Customer View Model

[ENG_CVM_5556622-2_O.2d_dxf.zip](#)

English

Customer View Model

[ENG_CVM_5556622-2_O.3d_igs.zip](#)

English

Customer View Model

[ENG_CVM_5556622-2_O.3d_stp.zip](#)

English

By downloading the CAD file I accept and agree to the [Terms and Conditions](#) of use.

Product Specifications

[Application Specification](#)

English