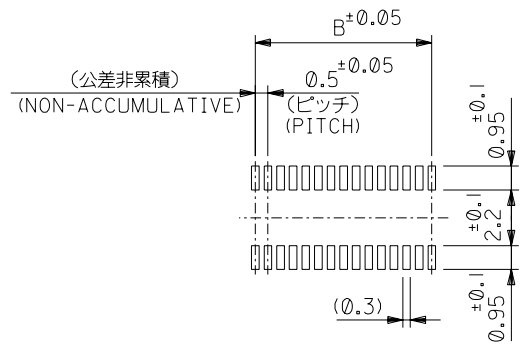
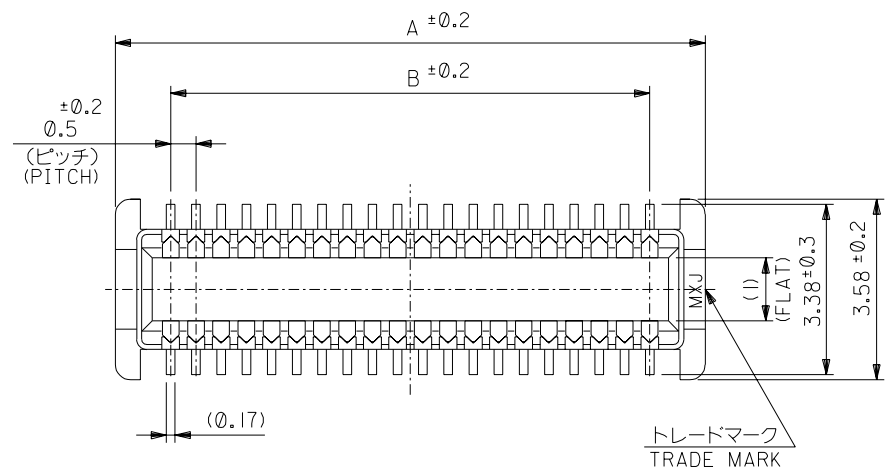
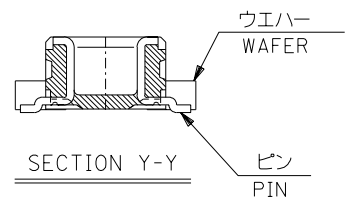
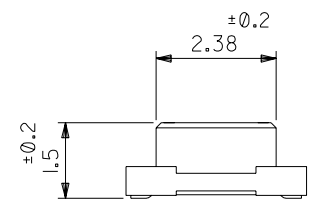
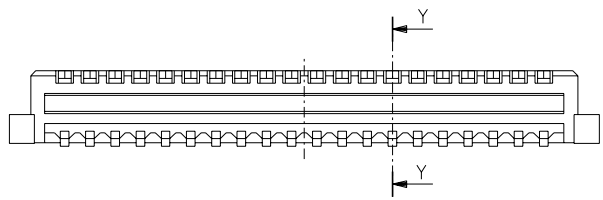


DWG. NO. SD-55559-003



参考基板レイアウト  
REFERENCE USE ONLY P.C.BOARD PATTERN LAYOUT



注記 NOTES

- 材質 MATERIAL  
ウエハー : 液晶ポリマーガラス充填、黒色、UL 94V-0  
WAFER : LIQUID CRYSTAL POLYMER GLASS FILLED  
COLOR BLACK ,UL 94V-0  
ピン : 黄銅 (t=0.15)  
PIN : BRASS (t=0.15)
- メッキ仕様 PLATING  
金メッキ 0.25マイクロメートル以上。(コンタクト部)  
GOLD 0.25MICROMETER MINIMUM (CONTACT AREA)  
金メッキ 0.4マイクロメートル以下。(テール部)  
GOLD 0.4MICROMETER MAXIMUM (TAIL AREA)  
下地メッキ : ニッケルメッキ 2.5マイクロメートル以上。  
UNDER-PLATING : NICKEL 2.5MICROMETER MINIMUM
- 嵌合相手 : 54729 シリーズ  
MATES WITH : 54729 SERIES
- テール平坦度は 0.1以下。  
TAIL COPLANARITY TO BE 0.1 MAXIMUM

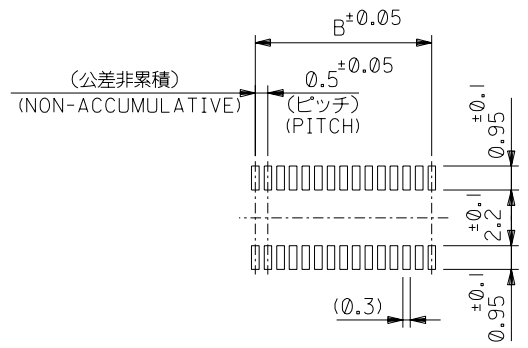
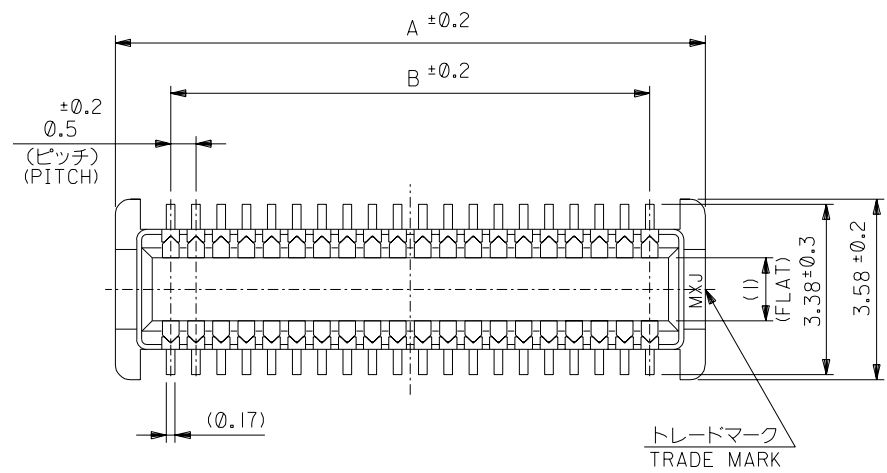
16極適用形状  
APPLICATION SHAPE OF 16 CIRCUITS.

無鉛  
LEAD FREE

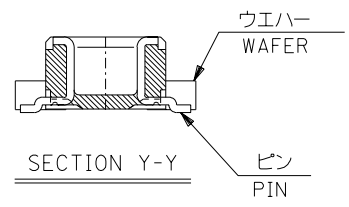
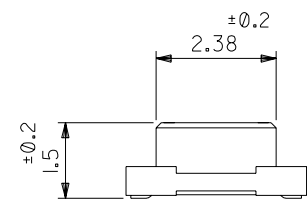
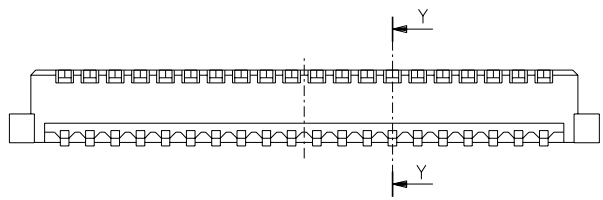
DO NOT SCALE DRAWING

EC NO. DRAWN: CHK: APPR:	EC NO. DRAWN: CHK: APPR:	EC NO. DRAWN: CHK: APPR:	EC NO. J2004-0314 DRAWN: R.SUMIYA CHK: S.AIHARA APPR: M.SASAO	PROPOSED '00/5/29 EC NO. JC2000-0787 DRAWN: M.HAYASHI CHK: T.ITO APPR: M.FUKUSHIMA	MATERIAL 材料	GENERAL TOLERANCES: (UNLESS SPECIFIED) 一般公差	MODEL NO. SCALE DESIGN UNITS	55559-***1 1/1 mm	DIMENSIONS: THIRD ANGLE PROJECTION	MATERIAL NO. SHT REV	55559-0161 1 0	CKT. NO. REVISE ON CAD ONLY	16
			A	0	注記参照 SEE NOTES	10 UNDER 未満 ±0.2 10 OVER 30 UNDER 未満 ±0.25 30 OVER 以上 ±0.3	DRAWN BY & DATE M.HAYASHI '00/05/29 CHECKED BY & DATE T.ITO '00/05/29 APPROVED BY & DATE M.FUKUSHIMA '00/05/29	MODEL NO. SCALE DESIGN UNITS	55559-***1 1/1 mm	MATERIAL NO. SHT REV	55559-0161 1 0	CKT. NO. REVISE ON CAD ONLY	16
					注記参照 SEE NOTES	ANGLE 角度 ±3°	TITLE: 0.5 B-To-B Plug OVER MOLD (Hgt=2mm)	MODEL NO. SCALE DESIGN UNITS	55559-***1 1/1 mm	MATERIAL NO. SHT REV	55559-0161 1 0	CKT. NO. REVISE ON CAD ONLY	16
					WIRE RANGE 適用層線範囲		CAD FILENAME 55559003.S01	THIRD ANGLE PROJECTION	mm INCH mm INCH mm ONLY	MATERIAL NO. DRAWING NO.	SEE CHART SD-55559-003	SHEET NO. 1 OF 3	SIZE B
					INS. RANGE 被覆外径		THIS DRAWING CONTAINS INFORMATION THAT IS PROPRIETARY TO MOLEX INCORPORATED AND SHOULD NOT BE USED WITHOUT WRITTEN PERMISSION.						EN-02J(097) MXJ-54

DWG. NO.  
SD-55559-003



参考基板レイアウト  
REFERENCE USE ONLY P.C.BOARD PATTERN LAYOUT



24極適用形状  
APPLICATION SHAPE OF 24 CIRCUITS.

無鉛  
LEAD FREE

5.5	7.7	55559-0241	24
B	A	MATERIAL NO.	CKT. NO.
MODEL NO. 55559-***1		DIMENSIONS:	
		<input type="checkbox"/> mm <input type="checkbox"/> INCH	<input checked="" type="checkbox"/> mm ONLY
THIRD ANGLE PROJECTION		SHT. REV	
		REVISE ON CAD ONLY	

EC NO. DRWN: CHK: APPR:	EC NO. DRWN: CHK: APPR:	EC NO. DRWN: CHK: APPR:	EC NO. DRWN: CHK: APPR:	EC NO. DRWN: CHK: APPR:
EC NO. J2004-0314 DRWN: R.SUMIYA CHK: S.AIHARA APPR: M.SASAO RELEASED/REVISED '04/02/04				
A INS. RANGE 被覆外径 // WIRE RANGE 適用電線範囲 //				

MATERIAL 材料	SEE SHEET 1 OF 3
FINISH 仕上げ	SEE SHEET 1 OF 3
GENERAL TOLERANCES: (UNLESS SPECIFIED) 一般公差	10 UNDER 未満 ±0.2 10 OVER 以上 ±0.25 30 UNDER 未満 ±0.25 30 OVER 以上 ±0.3 ANGLE 角度 ±3°

SCALE	DESIGN UNITS	THIRD ANGLE PROJECTION
1/1	<input checked="" type="checkbox"/> mm <input type="checkbox"/> INCH	<input checked="" type="checkbox"/>
DRAWN BY & DATE		
R.SUMIYA '04/02/04		
CHECKED BY & DATE		
S.AIHARA '04/02/04		
APPROVED BY & DATE		
M.SASAO '04/02/04		
CAD FILENAME	MATERIAL NO.	DRAWING NO.
55559003.S02	SEE CHART	SD-55559-003

TITLE:		
0.5 B-To-B Plug OVER MOLD (Hgt=2mm)		
MOLEX INCORPORATED		
SHEET NO.	2 OF 3	

THIS DRAWING CONTAINS INFORMATION THAT IS PROPRIETARY TO MOLEX INCORPORATED AND SHOULD NOT BE USED WITHOUT WRITTEN PERMISSION.

DO NOT SCALE DRAWING

55559003.S02

DWG. NO.  
SD-55559-003

F

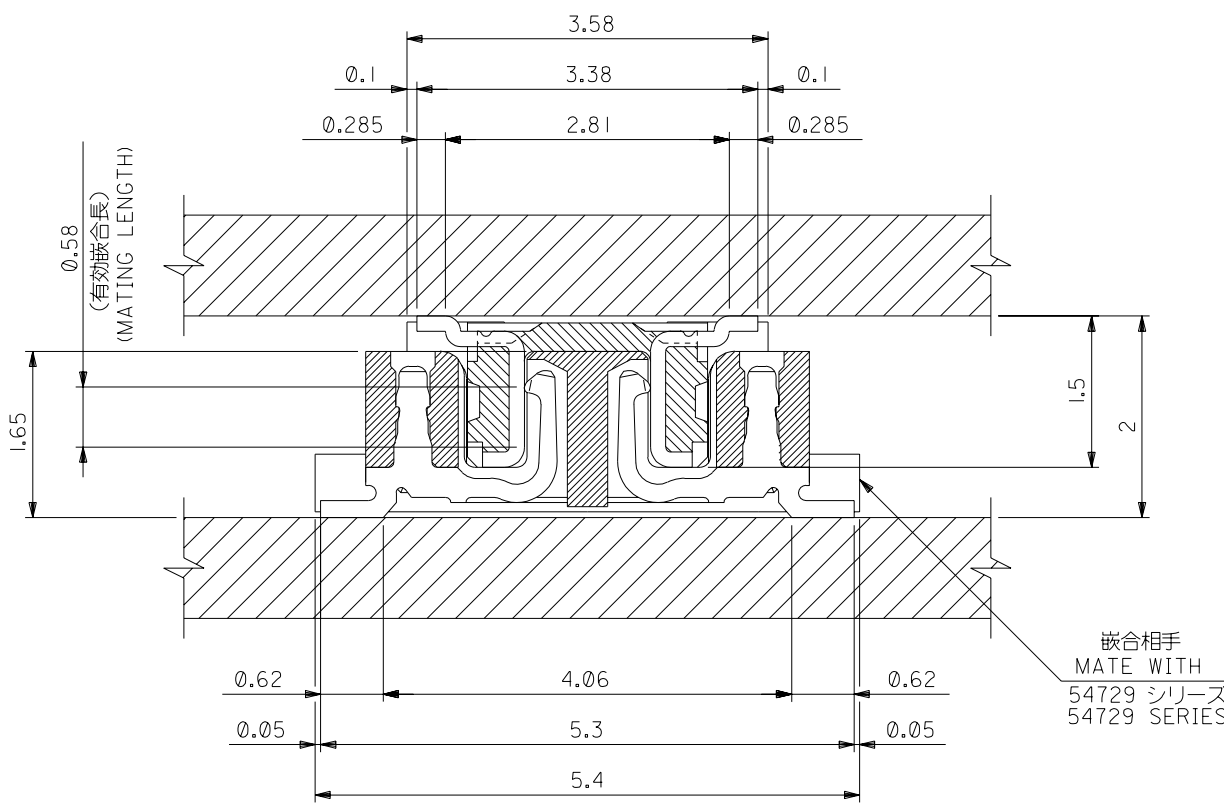
D

V

C

B

DO NOT SCALE DRAWING



嵌合相手  
MATE WITH  
54729 シリーズ  
54729 SERIES

嵌合断面図 (参考)  
MATED DRAWING (REFERENCE)

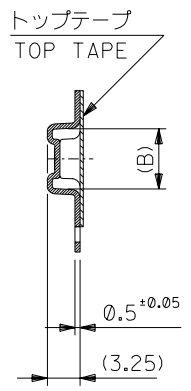
無鉛  
LEAD FREE

EC NO. DRWN: CH'K: APPR:		EC NO. DRWN: CH'K: APPR:		EC NO. DRWN: CH'K: APPR:		RELEASED/REVISED '04/02/03 EC NO. J2004-0314 DRWN: R.SUMIYA CH'K: S.AIHARA APPR: M.SASAO		PROPOSED '00/5/29 EC NO. JC2000-0787 DRWN: M.HAYASHI CH'K: T.ITO APPR: M.FUKUSHIMA		MATERIAL 材料 SEE SHEET 1 OF 3		GENERAL TOLERANCES: (UNLESS SPECIFIED) 一般公差		MODEL NO. 55559-***1		DIMENSIONS: <input type="checkbox"/> mm <input type="checkbox"/> INCH <input checked="" type="checkbox"/> mm ONLY		SHT REV REVISE ON CAD ONLY	
FINISH 仕上り		FINISH 仕上り		FINISH 仕上り		FINISH 仕上り		FINISH 仕上り		FINISH 仕上り		10 UNDER 未満 ±0.2 10 OVER 以上 30 UNDER 未満 ±0.25 30 OVER 以上 ±0.3		SCALE 1:1 DESIGN UNITS <input checked="" type="checkbox"/> mm <input type="checkbox"/> INCH		THIRD ANGLE PROJECTION		TITLE: 0.5 B-To-B Plug OVER MOLD (Hgt=2mm)	
WIRE RANGE 適用線径範囲		WIRE RANGE 適用線径範囲		WIRE RANGE 適用線径範囲		WIRE RANGE 適用線径範囲		WIRE RANGE 適用線径範囲		WIRE RANGE 適用線径範囲		DRAWN BY & DATE M.HAYASHI '00/05/29		CHECKED BY & DATE T.ITO '00/05/29		APPROVED BY & DATE M.FUKUSHIMA '00/05/29		MOLEX INCORPORATED	
INS. RANGE 被覆外径		INS. RANGE 被覆外径		INS. RANGE 被覆外径		INS. RANGE 被覆外径		INS. RANGE 被覆外径		INS. RANGE 被覆外径		CAD FILENAME 55559003.S03		MATERIAL NO. SEE CHART		DRAWING NO. SD-55559-003		SHEET NO. 3 OF 3	
THIS DRAWING CONTAINS INFORMATION THAT IS PROPRIETARY TO MOLEX INCORPORATED AND SHOULD NOT BE USED WITHOUT WRITTEN PERMISSION.												SIZE B							

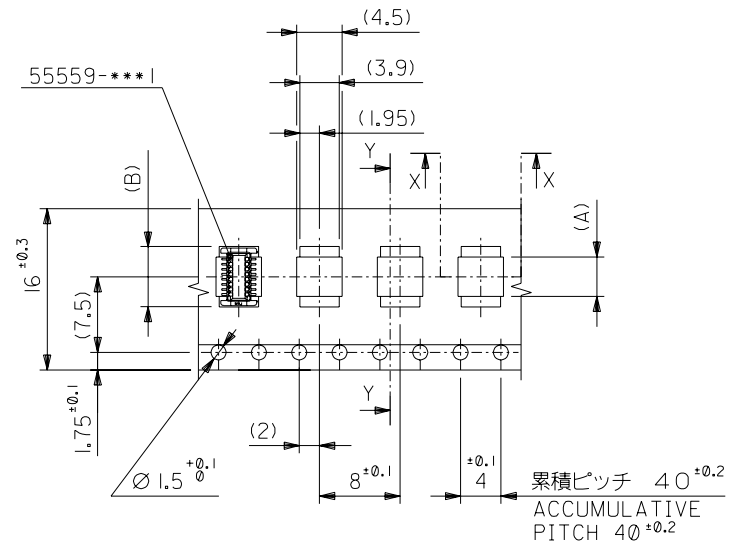


DWG. NO. SD-55559-008

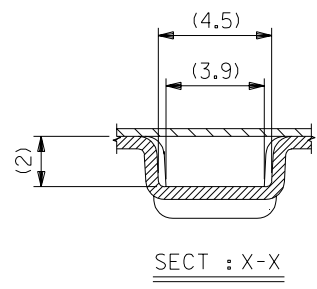
引き出し方向  
PULL OUT DIRECTION



SECT : Y-Y



16mm幅キャリアテープ  
16mm WIDTH CARRIER TAPE



SECT : X-X

無鉛  
LEAD FREE

16	17.5	8	5.9	55559-0248	24
		6	3.9	55559-0168	16
キャリアテープ幅 CARRIER TAPE WIDTH	E	(B)	(A)	MATERIAL NO.	極数 CIRCUIT

DO NOT SCALE DRAWING

EC NO. DRWN: CHK: APPR:	EC NO. DRWN: CHK: APPR:	REVISED '04/02/04 EC NO. J2004-0314 DRWN: R.SUMIYA CHK: S.AIHARA APPR: M.SASAO	REVISED '01/01/30 EC NO. JC2001-0604 DRWN: R.SHIINA CHK: T.ITO APPR: M.FUKUSHIMA	PROPOSED '00/5/29 EC NO. JC2000-0787 DRWN: M.HAYASHI CHK: T.ITO APPR: M.FUKUSHIMA	MATERIAL 材料	注記参照 SEE NOTES	GENERAL TOLERANCES: (UNLESS SPECIFIED) 一般公差	SCALE —//	DESIGN UNITS <input checked="" type="checkbox"/> mm <input type="checkbox"/> INCH	THIRD ANGLE PROJECTION <input checked="" type="checkbox"/> <input type="checkbox"/>	DIMENSIONS: <input type="checkbox"/> mm <input type="checkbox"/> INCH <input checked="" type="checkbox"/> mm ONLY	SHT REV
		B	A	Ø	FINISH 仕上げ	注記参照 SEE NOTES	10 UNDER 未満	±0.2	DRAWN BY & DATE M.HAYASHI '00/05/29	TITLE: 0.5 B-To-B Plug Assy (Hgt=2mm) Embstp Pkg		
					WIRE RANGE 適用線径範囲	//	10 OVER 以上	±0.25	CHECKED BY & DATE T.ITO '00/05/29			
					INS. RANGE 被覆外径	//	30 OVER 以上	±0.3	APPROVED BY & DATE M.FUKUSHIMA '00/05/29	MOLEX INCORPORATED		
							ANGLE 角度	±3°	CAD FILENAME 55559008.S02	MATERIAL NO. SEE CHART	DRAWING NO. SD-55559-008	SHEET NO. 2 OF 2

MODEL NO. 55559-***8		DIMENSIONS:		SHT	REV
		<input type="checkbox"/> mm <input type="checkbox"/> INCH	<input checked="" type="checkbox"/> mm ONLY		
THIS DRAWING CONTAINS INFORMATION THAT IS PROPRIETARY TO MOLEX INCORPORATED AND SHOULD NOT BE USED WITHOUT WRITTEN PERMISSION.					
				SIZE B	

55559008.S02