

5554726-1 ✓ ACTIVE

CHAMP | CHAMP Docking Connectors

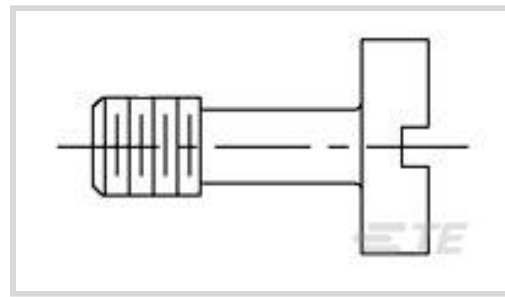
TE Internal #: 5554726-1

D-Sub Locking & Mounting, Captive Pan Head Screw, Screw Length 8.46 mm [.333 in], CHAMP Docking Connectors

[View on TE.com >](#)



Connectors > D-Shaped Connectors > D-Sub Accessories > D-Sub Locking & Mounting



D-Shaped Connector Accessories: **Captive Pan Head Screw**

Screw Length: **8.46 mm [.333 in]**

Features

Product Type Features

Product Type	Accessory
D-Shaped Connector Accessories	Captive Pan Head Screw

Mechanical Attachment

Screw & Hole Thread Size	4-40 UNC 2A
Screw Length	8.46 mm [.333 in]

Dimensions

Thread Length	2.79 mm [.11 in]
---------------	------------------

Operation/Application

For Use With	Shielded Cable Connectors
--------------	---------------------------

Packaging Features

Packaging Quantity	500
Packaging Method	Bag

Product Compliance

[For compliance documentation, visit the product page on TE.com>](#)

EU RoHS Directive 2011/65/EU	Compliant
EU ELV Directive 2000/53/EC	Compliant
China RoHS 2 Directive MIIT Order No 32, 2016	No Restricted Materials Above Threshold
EU REACH Regulation (EC) No. 1907/2006	Current ECHA Candidate List: JUNE 2022 (224) Candidate List Declared Against: JUNE 2022 (224)



Does not contain REACH SVHC

Halogen Content

Low Halogen - Br, Cl, F, I < 900 ppm per homogenous material. Also BFR/CFR/PVC Free

Solder Process Capability

Not applicable for solder process capability

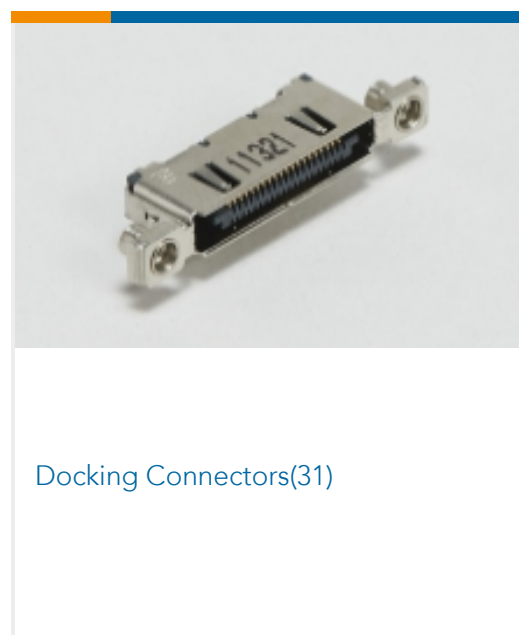
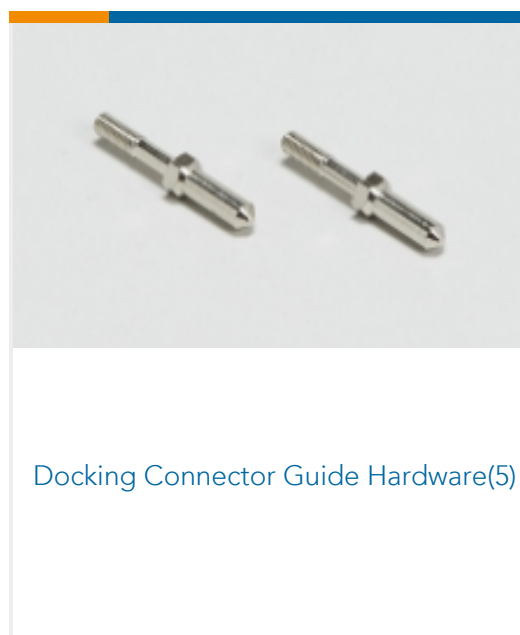
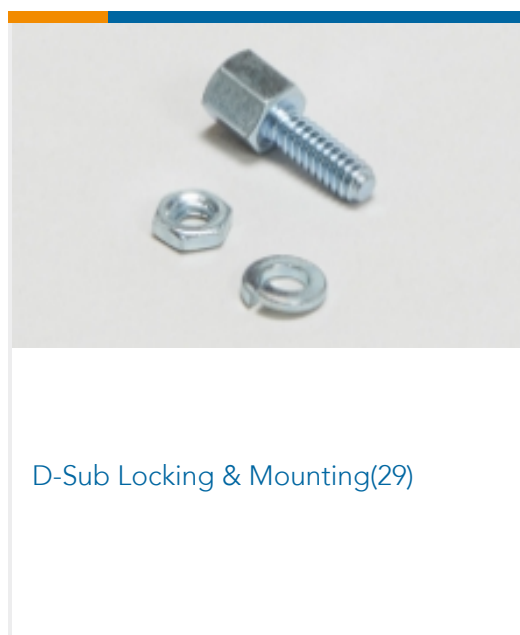
Product Compliance Disclaimer

This information is provided based on reasonable inquiry of our suppliers and represents our current actual knowledge based on the information they provided. This information is subject to change. The part numbers that TE has identified as EU RoHS compliant have a maximum concentration of 0.1% by weight in homogenous materials for lead, hexavalent chromium, mercury, PBB, PBDE, DBP, BBP, DEHP, DIBP, and 0.01% for cadmium, or qualify for an exemption to these limits as defined in the Annexes of Directive 2011/65/EU (RoHS2). Finished electrical and electronic equipment products will be CE marked as required by Directive 2011/65/EU. Components may not be CE marked. Additionally, the part numbers that TE has identified as EU ELV compliant have a maximum concentration of 0.1% by weight in homogenous materials for lead, hexavalent chromium, and mercury, and 0.01% for cadmium, or qualify for an exemption to these limits as defined in the Annexes of Directive 2000/53/EC (ELV). Regarding the REACH Regulation, the information TE provides on SVHC in articles for this part number is based on the latest European Chemicals Agency (ECHA) 'Guidance on requirements for substances in articles' posted at this URL: <https://echa.europa.eu/guidance-documents/guidance-on-reach>

Compatible Parts



Also in the Series | CHAMP Docking Connectors



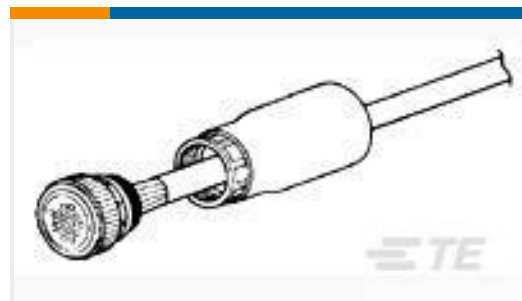
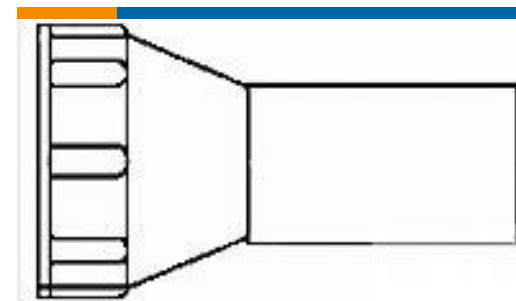
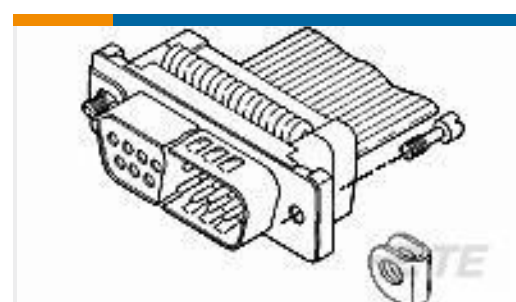


IDC D-Sub Connectors(79)



PCB D-Sub Connectors(1)

Customers Also Bought

TE Part #54123-1
CPC,13 LONG TUBETE Part #206705-1
CPC RECP. ASY SIZE 13-9TE Part #1-2176230-4
3522 10R 5% 3WTE Part #213933-1
CPC,STRAIN RELIEF,SIZE 17TE Part #206036-1
RECEPT,SZ 17-16 CPCTE Part #1-794065-0
08P MINI UMNL HDR W/DH SNTE Part #5746881-2
SCREW RETAINER KIT,BULK PKGTE Part #6609046-4
6ET1=F7003 S0TE Part #2-1393236-4
V23092-A1024-A301TE Part #1-770190-0
15P MINI-UMNL ASSY V0 SNNI*

Documents

Product Drawings

SCREW,PAN HD, CPTV,SHLD CHAMP

English

CAD Files

3D PDF

3D

Customer View Model

ENG_CVM_CVM_5554726-1_A.2d_dxf.zip



English

Customer View Model

[ENG_CVM_CVM_5554726-1_A.3d_igs.zip](#)

English

Customer View Model

[ENG_CVM_CVM_5554726-1_A.3d_stp.zip](#)

English

By downloading the CAD file I accept and agree to the [Terms and Conditions](#) of use.