

PLEASE CHECK WWW.MOLEX.COM FOR LATEST PART INFORMATION

Part Number: [0555131635](#)
Status: **Active**
Description: 1.25mm Pitch Small MGC (Multi-Ground Connector) Plug Cover A, Polarizing Key
 5.90mm from the Center

Documents:

[3D Model](#) [Product Specification PS-54678-007-001 \(PDF\)](#)
[Drawing \(PDF\)](#) [RoHS Certificate of Compliance \(PDF\)](#)
[Product Specification PS-54678-006-001 \(PDF\)](#)

General

Product Family	I/O Connectors
Series	55513
Application	N/A
Comments	Plug Cover A, Plug Cover A
Component Type	Dust Cover
Product Name	Small MGC
Type	N/A
UPC	800754840828

Physical

Circuits (Loaded)	16
Color - Resin	Gray
Lock to Mating Part	Yes
Material - Plating Mating	N/A
Material - Resin	PBT
Net Weight	4029.000/mg
Orientation	N/A
Packaging Type	Tray
Panel Mount	N/A
Pitch - Mating Interface	N/A
Polarized to Mating Part	Yes
Termination Interface: Style	N/A

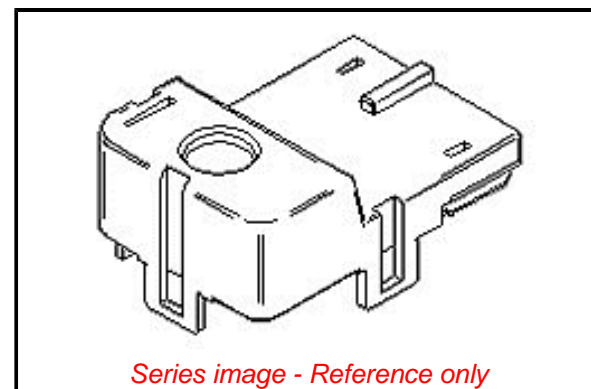
Electrical

Current - Maximum per Contact	N/A
-------------------------------	-----

Material Info

Reference - Drawing Numbers

Product Specification	PS-54678-006-001, PS-54678-007-001
Sales Drawing	SD-55513-002



Series image - Reference only

EU ELV

Not Relevant

EU RoHS

Compliant

REACH SVHC

Not Contained Per -
 ED/71/2019 (16 July
 2019)

Halogen-Free

Status

Not Low-Halogen

For more information, please visit [Contact US](#)

China ROHS

ELV

RoHS Phthalates

China RoHS

Green Image

Not Relevant

Not Contained

Search Parts in this Series

[55513 Series](#)

Use With

[55516](#) , [55514](#)