



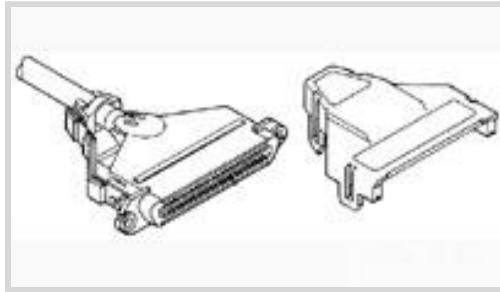
CHAMP | CHAMP Docking Connectors

TE Internal #: 554955-2

IDC D-Sub Connectors, Receptacle, 26 – 24 AWG Solid Wire Size, .13 – .32 mm<sup>2</sup> Solid Wire Size, .33 mm<sup>2</sup> Stranded Wire, CHAMP Docking Connectors

[View on TE.com >](#)

Connectors > D-Shaped Connectors > D-Sub Connectors > IDC D-Sub Connectors > IDC D-Sub: Receptacle Kit, Signal, 50, 2.16 mm



Connector & Housing Type: **Receptacle**

Solid Wire Size: **26 – 24 AWG**

Stranded Wire Size: **24 AWG**

[All IDC D-Sub: Receptacle Kit, Signal, 50, 2.16 mm \(8\)](#)

**Features**

**Product Type Features**

Connector Kit Type	Connector Kit
Connector & Housing Type	Receptacle
Connector System	Cable-to-Panel
Connector Product Type	Connector Kit
Connector & Contact Terminates To	Wire & Cable

**Configuration Features**

Number of Positions	50
Number of Rows	2
Compatible With Wire & Cable Type	Discrete Wire, Round Jacketed Cable

**Body Features**

Cable Exit Angle	180°
Shield Plating Material	Nickel
Shield Material	Carbon Steel
Primary Product Color	Black
Connector Profile	Standard

**Contact Features**

Contact Options	Supplied – Uninstalled
	30 μin



Contact Mating Area Plating Material	Gold, Gold Flash
Contact Underplating Material	Palladium Nickel
Contact Base Material	Copper Alloy
Contact Current Rating (Max)	3.5 A

#### Termination Features

Termination Method to Wire & Cable	Insulation Displacement (IDC)
------------------------------------	-------------------------------

#### Mechanical Attachment

Connector Mounting Type	Panel Mount
-------------------------	-------------

#### Housing Features

Housing Material	Polyphenylene Oxide
Centerline (Pitch)	2.16 mm [.085 in]

#### Dimensions

Accepts Cable Insulation Diameter Range	8.89 – 15.88 mm [.35 – .625 in]
	.045 in
Solid Wire Size	26 – 24 AWG
Stranded Wire Size	24 AWG
Wire Size	24 AWG

#### Usage Conditions

Operating Temperature Range	-40 – 75 °C [-40 – 167 °F]
-----------------------------	----------------------------

#### Operation/Application

Circuit Application	Signal
Shielded	Yes

#### Packaging Features

Packaging Quantity	1
Packaging Method	Bag

#### Product Compliance

[For compliance documentation, visit the product page on TE.com>](#)

EU RoHS Directive 2011/65/EU	Compliant
EU ELV Directive 2000/53/EC	Compliant
China RoHS 2 Directive MIIT Order No 32, 2016	No Restricted Materials Above Threshold
EU REACH Regulation (EC) No. 1907/2006	



Current ECHA Candidate List: JUNE 2024  
(241)

Candidate List Declared Against: JAN 2022  
(223)

Does not contain REACH SVHC

Halogen Content	Low Bromine/Chlorine - Br and Cl < 900 ppm per homogenous material. Also BFR /CFR/PVC Free
-----------------	--

Solder Process Capability	Not applicable for solder process capability
---------------------------	--

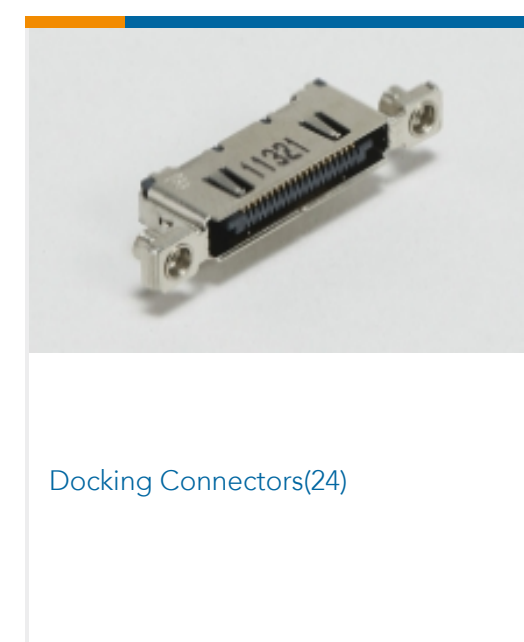
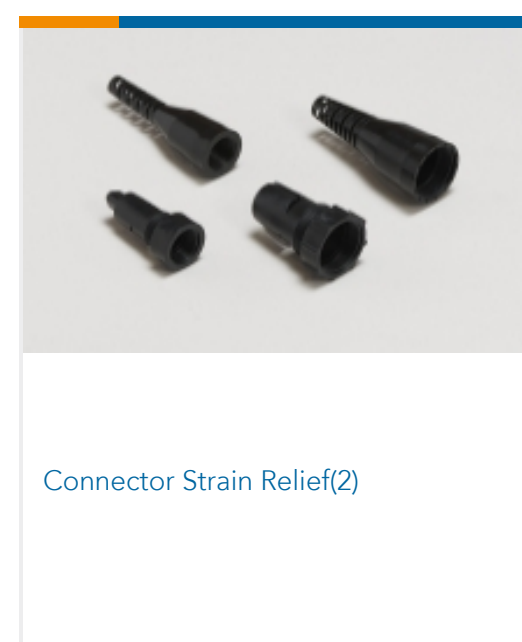
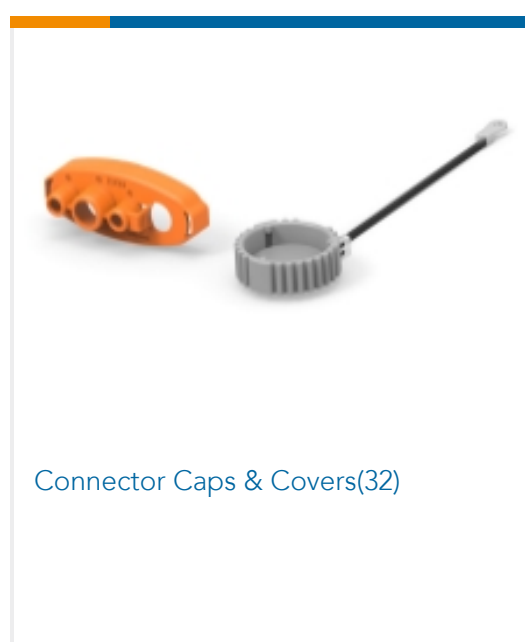
Product Compliance Disclaimer

This information is provided based on reasonable inquiry of our suppliers and represents our current actual knowledge based on the information they provided. This information is subject to change. The part numbers that TE has identified as EU RoHS compliant have a maximum concentration of 0.1% by weight in homogenous materials for lead, hexavalent chromium, mercury, PBB, PBDE, DBP, BBP, DEHP, DIBP, and 0.01% for cadmium, or qualify for an exemption to these limits as defined in the Annexes of Directive 2011/65/EU (RoHS2). Finished electrical and electronic equipment products will be CE marked as required by Directive 2011/65/EU. Components may not be CE marked. Additionally, the part numbers that TE has identified as EU ELV compliant have a maximum concentration of 0.1% by weight in homogenous materials for lead, hexavalent chromium, and mercury, and 0.01% for cadmium, or qualify for an exemption to these limits as defined in the Annexes of Directive 2000/53/EC (ELV). Regarding the REACH Regulation, the information TE provides on SVHC in articles for this part number is based on the latest European Chemicals Agency (ECHA) 'Guidance on requirements for substances in articles' posted at this URL: <https://echa.europa.eu/guidance-documents/guidance-on-reach>

### Compatible Parts



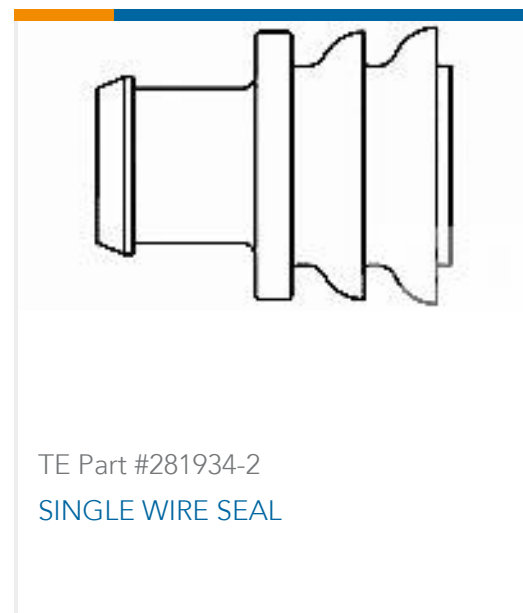
### Also in the Series | CHAMP Docking Connectors





IDC D-Sub Connectors(55)

## Customers Also Bought

TE Part #DT04-2P  
REC, 2P, GRY, NTE Part #DT06-2S  
PLG, 2P, GRY, NTE Part #W2S  
Wedgelocks: DEUTSCH DTTE Part #0460-202-16141  
DEUTSCH Solid ContactsTE Part #282104-1  
AMP SUPERSEAL 1.5MM,  
CONNECTOR HOUSINGTE Part #281934-2  
SINGLE WIRE SEALTE Part #114017-ZZ  
SEALING PLUG, SIZE 12/16, WHT

## Documents

### Product Drawings

RCPT KIT, 50 POSN, SCR LK, SHLD

English

### CAD Files

Customer View Model

[ENG\\_CVM\\_CVM\\_554955-2\\_B.2d\\_dxf.zip](#)

English

3D PDF

3D

Customer View Model

[ENG\\_CVM\\_CVM\\_554955-2\\_B.3d\\_igs.zip](#)

English

Customer View Model

[ENG\\_CVM\\_CVM\\_554955-2\\_B.3d\\_stp.zip](#)

English

By downloading the CAD file I accept and agree to the [Terms and Conditions](#) of use.



---

## Product Specifications

### Application Specification

English

---

## Instruction Sheets

### Instruction Sheet (U.S.)

English

### AMP\* SHIELDED CHAMP\* 180 DEG CONNECTOR KITS AND COVER KITS

English

---

## Agency Approvals

### CSA Certificate

English