

**PLEASE CHECK WWW.MOLEX.COM FOR LATEST PART INFORMATION**

**Part Number:** [55447-1870](#)  
**Status:** **Active**  
**Description:** 1.25mm Pitch Mi II™ System Wire-to-Board Header, Single Row, Vertical, with Positive Lock, Lead-Free, 18 Circuits

**Documents:**

[3D Model](#) [Product Specification PS-54596-018 \(PDF\)](#)  
[Drawing \(PDF\)](#) [RoHS Certificate of Compliance \(PDF\)](#)

**General**

|                |                       |
|----------------|-----------------------|
| Product Family | PCB Headers           |
| Series         | <a href="#">55447</a> |
| Application    | Signal, Wire-to-Board |
| MolexKits      | Yes                   |
| Product Name   | Mini Mi II™           |
| UPC            | 756054760611          |

**Physical**

|                                |                 |
|--------------------------------|-----------------|
| Breakaway                      | No              |
| Circuits (Loaded)              | 18              |
| Circuits (maximum)             | 18              |
| Color - Resin                  | Natural         |
| Durability (mating cycles max) | 30              |
| First Mate / Last Break        | No              |
| Glow-Wire Compliant            | No              |
| Guide to Mating Part           | No              |
| Keying to Mating Part          | None            |
| Lock to Mating Part            | Yes             |
| Material - Plating Mating      | Tin             |
| Material - Plating Termination | Tin             |
| Material - Resin               | Nylon           |
| Net Weight                     | 1436.900/mg     |
| Number of Rows                 | 1               |
| Orientation                    | Vertical        |
| PC Tail Length                 | 3.00mm          |
| PCB Locator                    | Yes             |
| PCB Retention                  | Yes             |
| PCB Thickness - Recommended    | 1.60mm          |
| Packaging Type                 | Tray            |
| Pitch - Mating Interface       | 1.25mm          |
| Polarized to Mating Part       | Yes             |
| Shrouded                       | Fully           |
| Stackable                      | No              |
| Surface Mount Compatible (SMC) | No              |
| Temperature Range - Operating  | -40°C to +105°C |
| Termination Interface: Style   | Through Hole    |

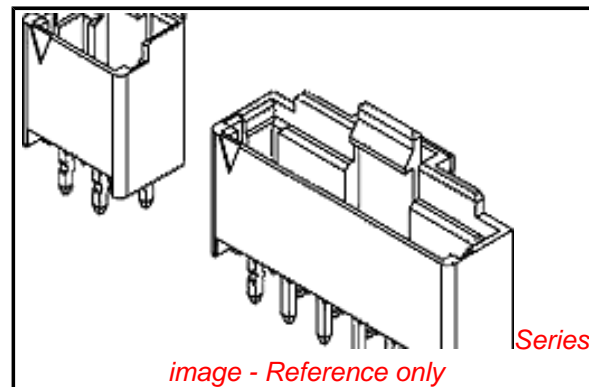
**Electrical**

|                               |      |
|-------------------------------|------|
| Current - Maximum per Contact | 1.5A |
| Voltage - Maximum             | 100V |

**Material Info**

**Reference - Drawing Numbers**

|                       |  |
|-----------------------|--|
| Product Specification | PS-54596-018, RPS-54596-024, RPS-54596-027 |
| Sales Drawing         | SD-55447-010                               |



**EU RoHS**

**ELV and RoHS Compliant**  
**REACH SVHC**  
**Contains SVHC: No**  
**Low-Halogen Status**  
**Not Low-Halogen**

**China RoHS**



**Need more information on product environmental compliance?**

Email [productcompliance@molex.com](mailto:productcompliance@molex.com)  
 For a multiple part number RoHS Certificate of Compliance, [click here](#)

Please visit the [Contact Us](#) section for any non-product compliance questions.

**Search Parts in this Series**

[55447Series](#)

**Mates With**

[51336](#) PBT Polyester, Glass-filled Housing,  
[54596](#) PA Polyamide Housing

This document was generated on 10/20/2014

**PLEASE CHECK [WWW.MOLEX.COM](http://WWW.MOLEX.COM) FOR LATEST PART INFORMATION**