

PLEASE CHECK WWW.MOLEX.COM FOR LATEST PART INFORMATION

Part Number: [55447-0270](#)
Status: **Active**
Overview: [Mini Mi II™](#)
Description: 1.25mm Pitch Mi II™ System Wire-to-Board Header, Single Row, Vertical, with Positive Lock, Lead-Free, 2 Circuits

Documents:

[3D Model](#) [Product Specification PS-54596-021 \(PDF\)](#)
[Drawing \(PDF\)](#) [RoHS Certificate of Compliance \(PDF\)](#)
[Product Specification PS-54596-018 \(PDF\)](#)

General

Product Family	PCB Headers
Series	55447
Application	Signal, Wire-to-Board
MolexKits	Yes
Overview	Mini Mi II™
Product Name	Mini Mi II™
UPC	756054760352

Physical

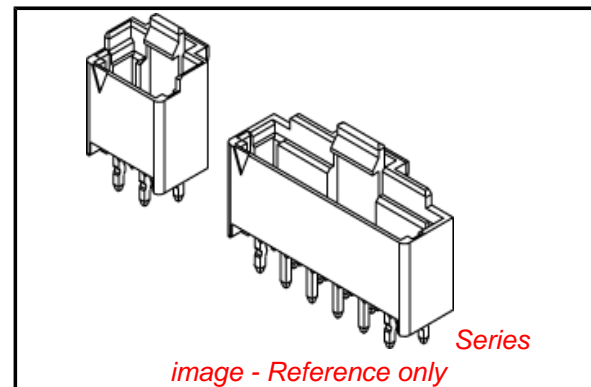
Breakaway	No
Circuits (Loaded)	2
Circuits (maximum)	2
Color - Resin	Natural
Durability (mating cycles max)	30
First Mate / Last Break	No
Glow-Wire Compliant	No
Guide to Mating Part	No
Keying to Mating Part	None
Lock to Mating Part	Yes
Material - Plating Mating	Tin
Material - Plating Termination	Tin
Material - Resin	Nylon
Net Weight	236.500/mg
Number of Rows	1
Orientation	Vertical
PC Tail Length	3.00mm
PCB Locator	Yes
PCB Retention	Yes
PCB Thickness - Recommended	1.60mm
Packaging Type	Tray
Pitch - Mating Interface	1.25mm
Polarized to Mating Part	Yes
Shrouded	Fully
Stackable	No
Surface Mount Compatible (SMC)	No
Temperature Range - Operating	-40°C to +105°C
Termination Interface: Style	Through Hole

Electrical

Current - Maximum per Contact	1.5A
Voltage - Maximum	100V

Material Info

Reference - Drawing Numbers



EU RoHS

ELV and RoHS Compliant
REACH SVHC Contains SVHC: No
Low-Halogen Status
Not Low-Halogen

China RoHS



Need more information on product environmental compliance?

Email productcompliance@molex.com
 For a multiple part number RoHS Certificate of Compliance, [click here](#)

Please visit the [Contact Us](#) section for any non-product compliance questions.

Search Parts in this Series

[55447Series](#)

Mates With

[51336](#) PBT Polyester, Glass-filled Housing,
[54596](#) PA Polyamide Housing

Product Specification

Sales Drawing

PS-54596-018, PS-54596-021, RPS-54596-024,
RPS-54596-027
SD-55447-010

This document was generated on 09/06/2012

PLEASE CHECK WWW.MOLEX.COM FOR LATEST PART INFORMATION