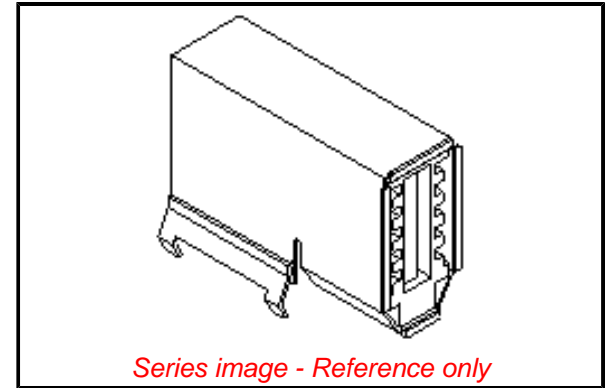


PLEASE CHECK WWW.MOLEX.COM FOR LATEST PART INFORMATION

Part Number: **0554451029**
Status: **Active**
Overview: 2.00mm I/O Connectors
Description: 2.00mm Pitch I/O PCB Receptacle, Upright-Style, Phosphor Bronze Shell, 10 Circuits

Documents:

3D Model	Packaging Specification 554459200-200 (PDF)
Drawing (PDF)	RoHS Certificate of Compliance (PDF)
3D Model (PDF)	Product Literature (PDF)
Product Specification 554450000-000 (PDF)	



General

Product Family	I/O Connectors
Series	55445
Application	Wire-to-Board
Component Type	Receptacle
Overview	2.00mm I/O Connectors
Product Name	2.00mm I/O Connectors
Type	N/A
UPC	191128174824

Physical

Circuits (Loaded)	10
Circuits (maximum)	10
Color - Resin	Black
Durability (mating cycles max)	50
Lock to Mating Part	Yes
Material - Metal	Phosphor Bronze
Material - Plating Mating	Gold
Material - Plating Termination	Tin
Material - Resin	High Temperature Thermoplastic
Net Weight	6139.148/mg
Number of Rows	2
Orientation	Right Angle
PC Tail Length	3.00mm
PCB Locator	No
PCB Retention	Yes
PCB Thickness - Recommended	1.60mm
Packaging Type	Tray
Panel Mount	No
Pitch - Mating Interface	2.00mm
Plating min - Mating	0.305µm
Plating min - Termination	1.016µm
Polarized to Mating Part	Yes
Polarized to PCB	Yes
Temperature Range - Operating	-40° to +85°C
Termination Interface: Style	Through Hole

Electrical

Current - Maximum per Contact	2.0A
Shielded	Yes
Voltage - Maximum	125V

Material Info

Reference - Drawing Numbers

Packaging Specification	554459200-200
Product Specification	554450000-000

EU ELV

Not Relevant

EU RoHS

Compliant

REACH SVHC

Contained Per -
D(2020)4578-DC (25
June 2020)
disodium 3,3'-[[1,1'-
biphenyl]-4,4'-
diylbis(azo)
1,2-diethoxyethane
1-vinylimidazole
1,3-propanesultone
disodium 4-
amino-3-[[4'-[(2,4-
diaminophenyl)azo]
ammoniumpentadecafluorooctanoate
2-benzotriazol-2-
yl-4,6-di-tert-
butylphenol
2,4-di-tert-butyl-6-(5-
chlorobenzotriazol-2-
yl)p
sodium
peroxometaborate
2-ethylhexyl 10-
ethyl-4,4-dioctyl-7-
oxo-8-oxa-3,
2-(2H-benzotriazol-2-
yl)-4,6-
ditertpentylphenol
2-(2H-benzotriazol-2-
yl)-4-(tert-butyl)-6-
(sec-b
Terphenyl,
hydrogenated
1,2-
Benzenedicarboxylic
acid, dihexyl ester,
bra
dodecamethylcyclohexasiloxane
benzo[a]pyrene
dimethyl sulphate

China RoHS

N-methylacetamide
p-(1,1-dimethylpropyl)phenol
dicyclohexyl phthalate
phenanthrene
butyl 4-hydroxybenzoate
o-toluidine
4-methyl-m-phenylenediamine
ethylene thiourea
4-o-tolylazo-o-toluidine
furan
di-n-pentyl phthalate (DPP)
perfluorooctanoic acid
dodecamethylcyclhexasiloxane
pentacosafuorotridecanoic acid
Nonadecafluorodecanoic acid (PFDA) and its sodiu
Tris(4-nonylphenyl, branched and linear) phosphi
Perfluorobutane sulfonic acid (PFBS) and its sal
Pyrene
Dodecachloropentacyclo[12.2.1.16,9.02,13.05,10]o
Reaction
products of 1,3,4-thiadiazolidine-2,5-d
Perfluorononan-1-oic acid
(2,2,3,3,4,4,5,5,6,6,7
Methylhexahydrophthalic anhydride
Bisphenol-A
Cadmium sulphate
reaction mass of
2-ethylhexyl 10-ethyl-4,4-dioct
1,2-benzenedicarboxylic acid, di-C6-10-alkyl est
5-sec-butyl-2-(2,4-dimethylcyclohex-3-en-1-yl)-5
Perfluorohexane-1-sulphonic acid and its salts
4-Nonylphenol, branched and linear, ethoxylated
pentacosafuorotridecanoic acid
1,2-benzenedicarboxylic acid, dipentylester, bra

2-methyl-1-(4-methylthiophenyl)-2-morpholinoprop
2-benzyl-2-dimethylamino-4-morpholinobutyropheno
3-ethyl-2-methyl-2-(3-methylbutyl)-1,3-oxazolidi
n-pentyl-
isopentylphthalate
Disodium tetraborate
Boric acid
4,4'-Oxydianiline and its salts
Sodium dichromate
Aluminosilicate
Refractory Ceramic Fibres
Zirconia
Aluminosilicate
Refractory Ceramic Fibr
4-Nonylphenol, branched and linear [substances w
Trixylyl phosphate
4-Nonylphenol, branched and linear, ethoxylated
potassium chromate
potassium dichromate
tetraboron disodium heptaoxide, hydrate
trichloroethylene
2-ethoxyethanol
2-methoxyethanol
cobalt carbonate
cobalt dinitrate
cobalt sulphate
2-ethoxyethyl acetate
1,2-benzenedicarboxylic acid; di-C7-11-branched
N-methyl-2-pyrrolidone
1,2,3-trichloropropane
1,2-benzenedicarboxylic acid; di-C6-8-branched a
potassium
hydroxyoctaoxidizincatedichromate(1-)
potassium chromate
4,4'-diaminodiphenylmethane
dibutyl phthalate (DBP)
cobalt dichloride
diarsenic pentaoxide
diarsenic trioxide
musk xylene
bis(2-ethylhexyl) phthalate (DEHP)

alkanes, C10-13,
chloro
bis(tributyltin) oxide
lead hydrogen
arsenate
Anthracene oil,
anthracene-low;
Anthracene Oil F
lead chromate
Lead chromate
molybdate sulfate red
Pitch, coal tar, high-
temp.; Pitch
potassium
hydroxyoctaoxodizincatedichromate(1-)
[4-[[4-anilino-1-
naphthyl]]4-
(dimethylamino)phen
lead
cadmium
lead dinitrate
Silicic acid, lead salt
lead oxide sulfate
lead titanium trioxide
tetralead trioxide
sulphate
dioxobis(stearato)trilead
lead
bis(tetrafluoroborate)
Sulfurous acid, lead
salt, dibasic
Silicic acid (H₂Si₂O₅),
barium salt (1:1),
lead-
[phthalato(2-)]dioxotrilead
Fatty acids, C16-18,
lead salts
benzo[a]pyrene
[4-[[4-anilino-1-
naphthyl]]4-
(dimethylamino)phen
arsenic acid
trilead diarsenate
pentazinc chromate
octahydroxide
bis(2-methoxyethyl)
phthalate
dichromium
tris(chromate)
2,2'-dichloro-4,4'-
methylenedianiline
N,N,N',N'-
tetramethyl-4,4'-
methylenedianiline
cadmium carbonate
diboron trioxide
cadmium oxide (non-
pyrophoric)
orange lead
trilead bis(carbonate)
dihydroxide
Lead oxide
1,3,5-
tris(oxiranylmethyl)-1,3,5-
triazine-2,4,6(

**Halogen-Free
Status**

Low-Halogen

For more information, please visit [Contact US](#)

China ROHS

Green Image

ELV

Not Relevant

RoHS Phthalates

Not Contained

Search Parts in this Series

[55445](#) Series

Mates With

2.00mm Pitch I/O Hand Soldering Type Plug

Set [545991016](#) , [545991019](#) , [545991026](#)

This document was generated on 10/15/2020

PLEASE CHECK WWW.MOLEX.COM FOR LATEST PART INFORMATION