

**PLEASE CHECK WWW.MOLEX.COM FOR LATEST PART INFORMATION**

**Part Number:** [55358-5038](#)  
**Status:** **Active**  
**Overview:** [CompactFlash™](#)  
**Description:** 1.27mm Pitch CF Card Header- Right Angle, SMT Top Mounting for Type I and II Cards, Lead-Free, Hard Tray Package

**Documents:**

[3D Model](#) [Packaging Specification SPK-55358-002 \(PDF\)](#)  
[Drawing \(PDF\)](#) [RoHS Certificate of Compliance \(PDF\)](#)  
[Product Specification PS-55358-012 \(PDF\)](#)

**Agency Certification**

UL E29179

**General**

Product Family Memory Card Sockets  
 Series [55358](#)  
 Comments Hard Tray Package  
 Component Type Header/Socket (Host)  
 Overview [CompactFlash™](#)  
 Product Name CompactFlash  
 Style Guide and Holder  
 Type I, II  
 UPC 822348366019

**Physical**

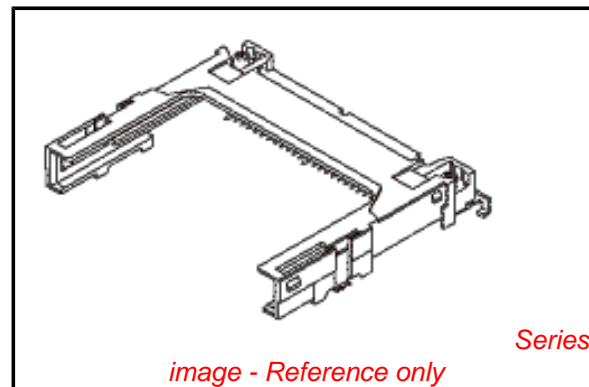
Card Detection Switch N/A  
 Circuits (Loaded) 50  
 Durability (mating cycles max) 10,000  
 Ejector Button No  
 Ejector Button Side N/A  
 Entry Angle 90° Angle (Side Entry)  
 Flammability 94V-0  
 Keying to Mating Part Yes  
 Material - Metal Phosphor Bronze  
 Material - Plating Mating Gold  
 Material - Plating Termination Tin  
 Net Weight 3885.278/mg  
 PCB Locator Yes  
 PCB Mounting Side Normal  
 PCB Retention Yes  
 Packaging Type Tray  
 Pitch - Mating Interface 1.27mm  
 Plating min - Mating 0.203µm  
 Plating min - Termination 1.016µm  
 Ports 1  
 Temperature Range - Operating -20°C to +90°C  
 Termination Interface: Style Through Hole

**Electrical**

Current - Maximum per Contact 0.5A  
 Voltage - Maximum 100V AC  
 Voltage Key 3.3V, 5.0V

**Material Info**

**Reference - Drawing Numbers**



**EU RoHS**

**ELV and RoHS Compliant**  
**REACH SVHC Contains SVHC: No**  
**Low-Halogen Status Low-Halogen**

**China RoHS**



**Need more information on product environmental compliance?**

Email [productcompliance@molex.com](mailto:productcompliance@molex.com)  
 For a multiple part number RoHS Certificate of Compliance, [click here](#)

Please visit the [Contact Us](#) section for any non-product compliance questions.

**Search Parts in this Series**

[55358Series](#)

**Mates With**

[67003](#) , [67114](#) , Industry Standard CF Card

**Use With**

[55356 Ejector](#), [55364 Ejector](#)

Packaging Specification  
Product Specification  
Sales Drawing

SPK-55358-002  
PS-55358-012  
SD-55358-015, SD-55358-016

This document was generated on 10/14/2014

**PLEASE CHECK [WWW.MOLEX.COM](http://WWW.MOLEX.COM) FOR LATEST PART INFORMATION**