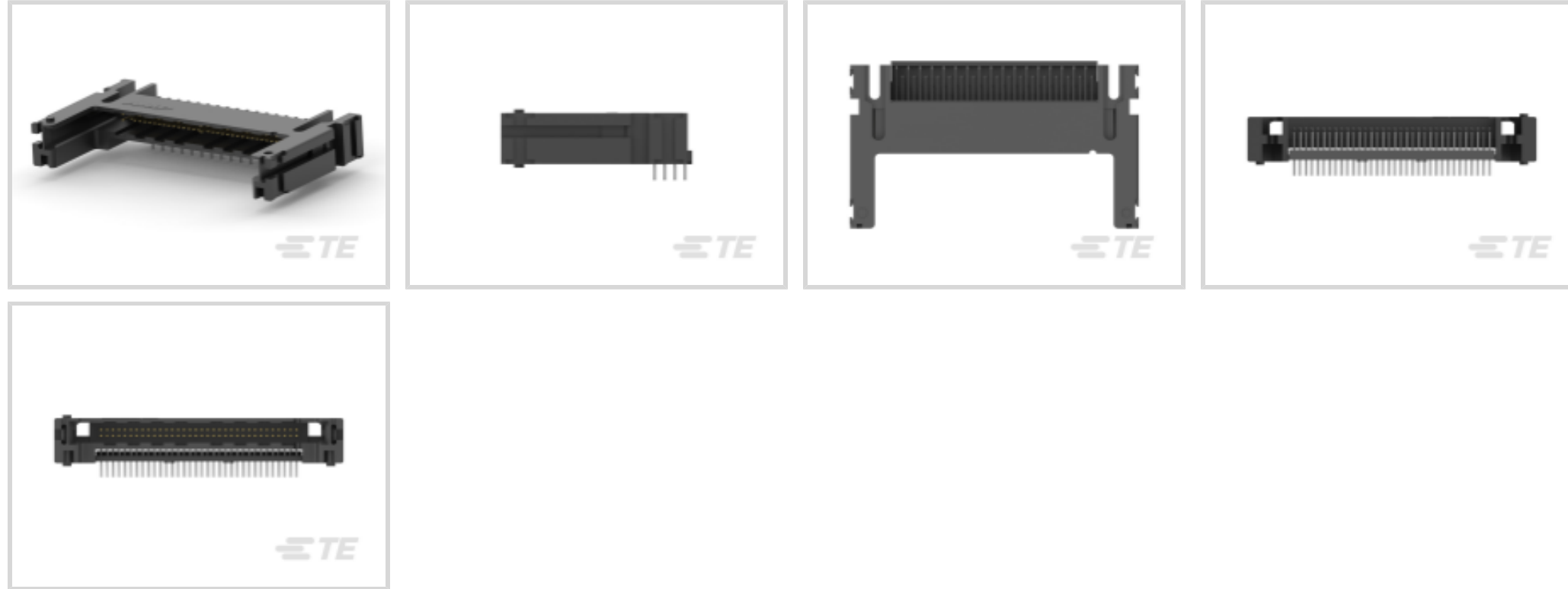




TE Internal #: 5535655-2
 PCMCIA Connectors, Fully Shrouded, Cable-to-Board, 68 Position,
 1.27 mm [.05 in] Centerline, 4 Row, 1 Card Slots, Through Hole -
 Solder, Right Angle

[View on TE.com >](#)

Connectors > PCB Connectors > Memory Card Connectors > PCMCIA Connectors



Header Type: **Fully Shrouded**

Connector System: **Cable-to-Board**

Number of Positions: **68**

Centerline (Pitch): **1.27 mm [.05 in]**

Number of Rows: **4**

Features

Product Type Features

Connector & Contact Terminates To	Printed Circuit Board
Header Type	Fully Shrouded
Connector System	Cable-to-Board

Configuration Features

Number of Positions	68
Number of Rows	4
Number of Card Slots	1
PCB Mount Orientation	Right Angle

Contact Features

Contact Current Rating (Max)	.1 A
------------------------------	------

Termination Features

Termination Method to Printed Circuit Board	Through Hole - Solder
---	-----------------------

Mechanical Attachment

Connector Mounting Type	Board Mount
-------------------------	-------------



Housing Features

Centerline (Pitch)	1.27 mm [.05 in]
--------------------	------------------

Usage Conditions

Operating Temperature Range	-20 – 70 °C [-4 – 158 °F]
-----------------------------	---------------------------

Operation/Application

Circuit Application	Signal
---------------------	--------

Industry Standards

UL Flammability Rating	UL 94V-0
------------------------	----------

Packaging Features

Packaging Quantity	20
Packaging Method	Box & Tray, Tray

Product Compliance

[For compliance documentation, visit the product page on TE.com>](#)

EU RoHS Directive 2011/65/EU	Compliant
EU ELV Directive 2000/53/EC	Compliant
China RoHS 2 Directive MIIT Order No 32, 2016	No Restricted Materials Above Threshold
EU REACH Regulation (EC) No. 1907/2006	Current ECHA Candidate List: JUNE 2024 (241) Candidate List Declared Against: JUNE 2024 (241) Does not contain REACH SVHC
Halogen Content	Low Bromine/Chlorine - Br and Cl < 900 ppm per homogenous material. Also BFR /CFR/PVC Free
Solder Process Capability	Not reviewed for solder process capability

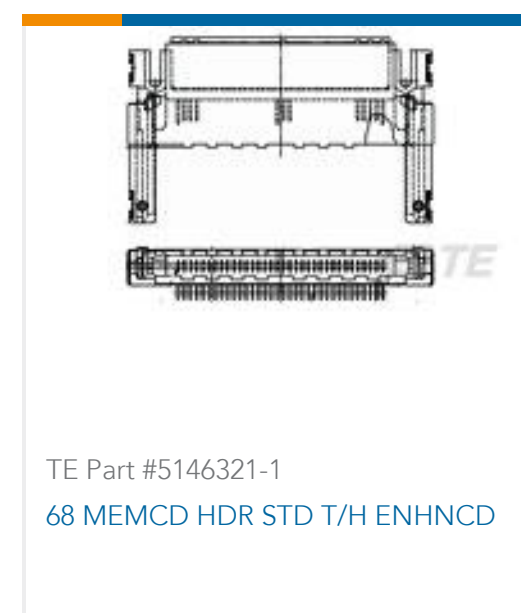
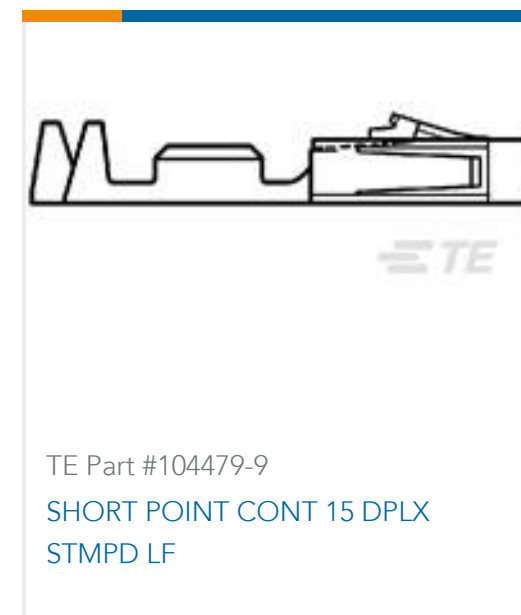
Product Compliance Disclaimer

This information is provided based on reasonable inquiry of our suppliers and represents our current actual knowledge based on the information they provided. This information is subject to change. The part numbers that TE has identified as EU RoHS compliant have a maximum concentration of 0.1% by weight in homogenous materials for lead, hexavalent chromium, mercury, PBB, PBDE, DBP, BBP, DEHP, DIBP, and 0.01% for cadmium, or qualify for an exemption to these limits as defined in the Annexes of Directive 2011/65/EU (RoHS2). Finished electrical and electronic equipment products will be CE marked as required by Directive 2011/65/EU. Components may not be CE marked. Additionally, the part numbers that TE has identified as EU ELV compliant have a maximum concentration of 0.1% by weight in homogenous materials for lead, hexavalent chromium, and mercury, and 0.01% for cadmium, or qualify for an exemption to these limits as defined in the Annexes of Directive 2000/53/EC (ELV). Regarding the REACH Regulation, the information TE provides on SVHC in articles for this part number is based on the latest European Chemicals Agency (ECHA) 'Guidance on requirements for substances in articles' posted at this URL: <https://echa.europa.eu/guidance-documents/guidance-on-reach>

Compatible Parts



Customers Also Bought



Documents

Product Drawings

68 MEMCD HDR RSD T/H TOP LV

English

CAD Files

3D PDF

3D



Customer View Model

[ENG_CVM_CVM_5535655-2_O.2d_dxf.zip](#)

English

Customer View Model

[ENG_CVM_CVM_5535655-2_O.3d_igs.zip](#)

English

Customer View Model

[ENG_CVM_CVM_5535655-2_O.3d_stp.zip](#)

English

By downloading the CAD file I accept and agree to the [Terms and Conditions](#) of use.

Product Specifications

[Application Specification](#)

English