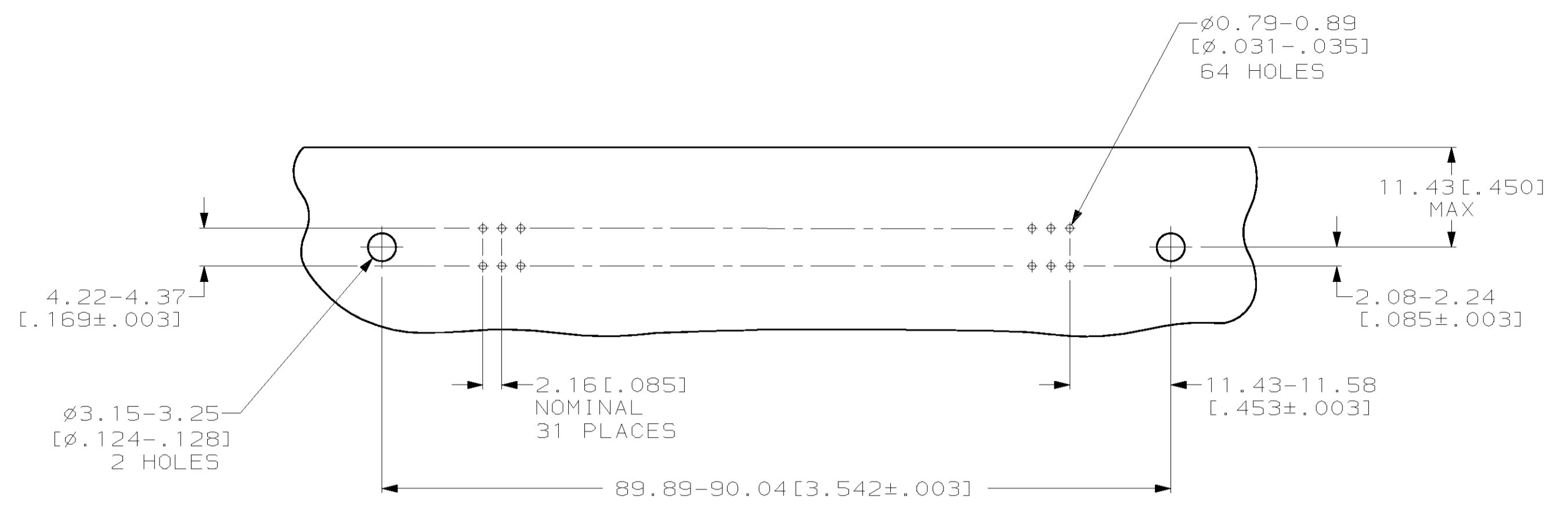
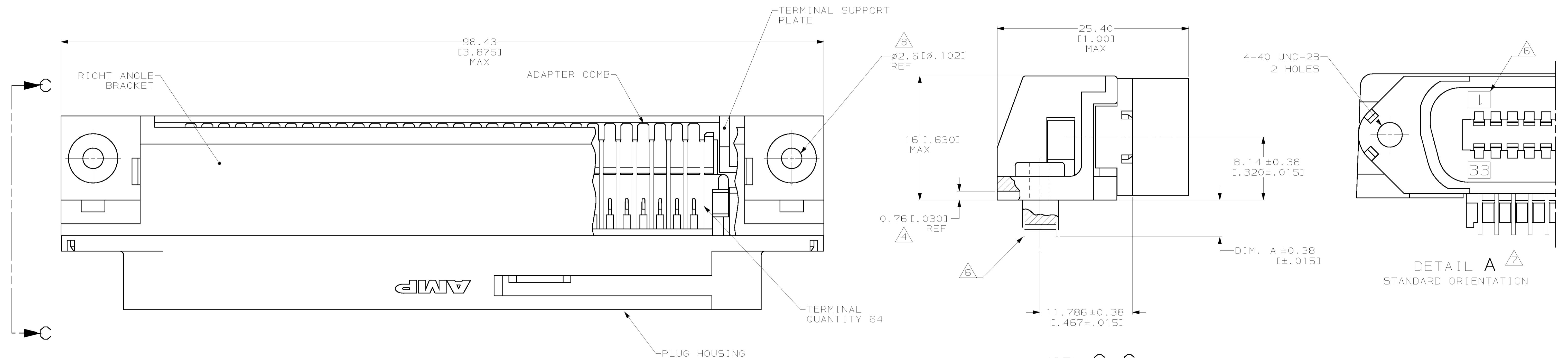


LOC	DIST	REV	DATE	BY	APPV
AA	22	N	05-JUL-00	DLD	AWR



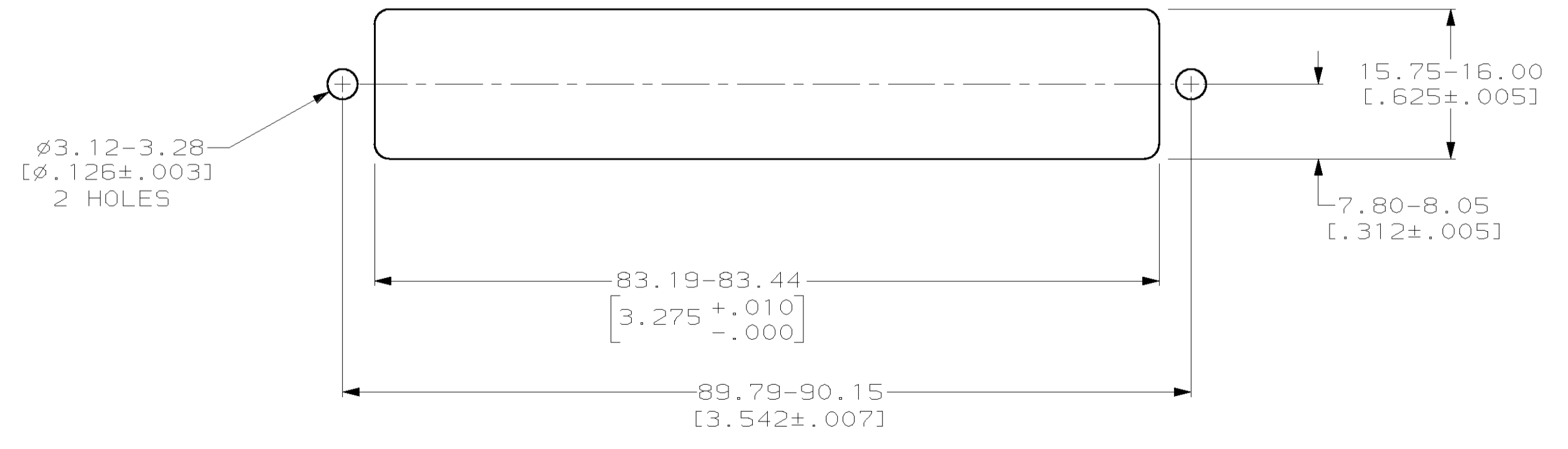
SUGGESTED PRINTED CIRCUIT BOARD MOUNTING DIMENSIONS SCALE 2:1

- 1 MATERIAL: HOUSING, BRACKET, PLATE AND COMB - THERMOPLASTIC, BLACK, 94V-0 RATED. TERMINALS-TAILS - TIN-LEAD OVER NICKEL PLATED HIGH STRENGTH COPPER ALLOY. MATING SURFACE - LOCALIZED GOLD OVER NICKEL PLATED HIGH STRENGTH COPPER ALLOY.
- 4 TERMINAL SUPPORT PLATE CLEARANCE FOR TERMINAL STRAIN RELIEF AND FLUX REMOVAL.
- 5 MAXIMUM PANEL THICKNESS: 1.57 [1.062].
- 6 TERMINAL 1 IS LOCATED IN THIS ROW FOR STANDARD ORIENTATION, 552745-1 AND -5.
- 7 DETAIL "A" IS VIEWED FROM MATING SIDE OF PLUG ASSEMBLY.
- 8 FOR USE WITH A NO.4 BT TYPE SELF-TAPPING SCREW.
- 9. IF TERMINALS DO NOT EXTEND BELOW COMB, THEN COMB SHOULD BE PARTIALLY RETRACTED BEFORE INSERTING CONNECTOR INTO PRINTED CIRCUIT BOARD.



VIEW C-C ROTATED 90° CCW

DETAIL A STANDARD ORIENTATION



SUGGESTED REAR PANEL MOUNTING CUTOUT DIMENSIONS SCALE 2:1

DIM. A	TYPE OF MOUNTING	DESCRIPTION	PART NUMBER
2.54 [1.00]	SELF-TAPPING	SEE DETAIL A	552745-5
4.75 [1.87]	SELF-TAPPING	SEE DETAIL A	552745-1

THIS DRAWING IS A CONTROLLED DOCUMENT.		DWN DL DRUMMOND 24-APR-00 CHK DL DRUMMOND 24-APR-00 APPV EJM BELLES 24-APR-00 PRODUCT SPEC APPLICATION SPEC WEIGHT CUSTOMER DRAWING	AMP Incorporated Harrisburg, PA 17105-3608 NAME: PLUG ASSEMBLY, 64 POSITION, RIGHT ANGLE, SELF-TAPPING, CHAMP-LOK® SIZE: A1 CAGE CODE: 00779 DRAWING NO: 552745 RESTRICTED TO: - SCALE: 4:1 SHEET 1 OF 1 REV N
--	--	---	---