

552488-1 ✓ ACTIVE

CHAMP | CHAMP - LOK

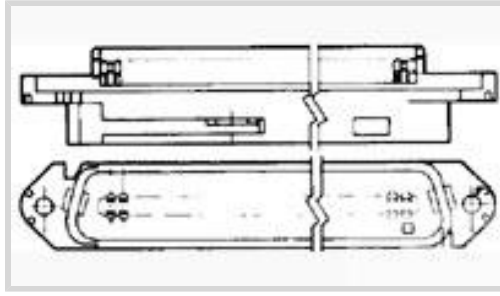
TE Internal #: 552488-1

Docking Connectors, Plug, Cable-to-Cable, 64 Position, 2.16 mm [.085 in] Centerline, Wire & Cable, Power & Signal, CHAMP - LOK

[View on TE.com >](#)



Connectors > Docking Connectors



Docking Connector Style: **Plug**

Connector System: **Cable-to-Cable**

Number of Positions: **64**

Centerline (Pitch): **2.16 mm [.085 in]**

Connector & Contact Terminates To: **Wire & Cable**

Features

Product Type Features

Docking Connector Style	Plug
Connector System	Cable-to-Cable
Connector & Contact Terminates To	Wire & Cable

Configuration Features

Number of Positions	64
---------------------	----

Contact Features

Contact Base Material	Copper Alloy
Contact Current Rating (Max)	3.5 A

Mechanical Attachment

Connector Mounting Type	Cable Mount (Free-Hanging)
-------------------------	----------------------------

Housing Features

Centerline (Pitch)	2.16 mm [.085 in]
--------------------	-------------------

Usage Conditions

Operating Temperature Range	-40 – 75 °C [-40 – 167 °F]
-----------------------------	----------------------------

Operation/Application

Circuit Application	Power & Signal
---------------------	----------------

Product Compliance

[For compliance documentation, visit the product page on TE.com>](#)

EU RoHS Directive 2011/65/EU	Compliant
EU ELV Directive 2000/53/EC	Compliant
China RoHS 2 Directive MIIT Order No 32, 2016	No Restricted Materials Above Threshold
EU REACH Regulation (EC) No. 1907/2006	Current ECHA Candidate List: JUNE 2024 (241) Candidate List Declared Against: JUNE 2024 (241) Does not contain REACH SVHC
Halogen Content	Low Bromine/Chlorine - Br and Cl < 900 ppm per homogenous material. Also BFR /CFR/PVC Free
Solder Process Capability	Not applicable for solder process capability

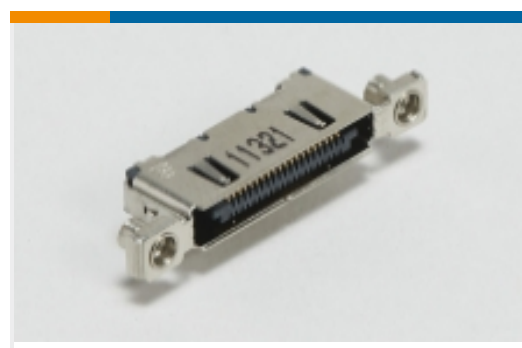
Product Compliance Disclaimer

This information is provided based on reasonable inquiry of our suppliers and represents our current actual knowledge based on the information they provided. This information is subject to change. The part numbers that TE has identified as EU RoHS compliant have a maximum concentration of 0.1% by weight in homogenous materials for lead, hexavalent chromium, mercury, PBB, PBDE, DBP, BBP, DEHP, DIBP, and 0.01% for cadmium, or qualify for an exemption to these limits as defined in the Annexes of Directive 2011/65/EU (RoHS2). Finished electrical and electronic equipment products will be CE marked as required by Directive 2011/65/EU. Components may not be CE marked. Additionally, the part numbers that TE has identified as EU ELV compliant have a maximum concentration of 0.1% by weight in homogenous materials for lead, hexavalent chromium, and mercury, and 0.01% for cadmium, or qualify for an exemption to these limits as defined in the Annexes of Directive 2000/53/EC (ELV). Regarding the REACH Regulation, the information TE provides on SVHC in articles for this part number is based on the latest European Chemicals Agency (ECHA) 'Guidance on requirements for substances in articles' posted at this URL: <https://echa.europa.eu/guidance-documents/guidance-on-reach>

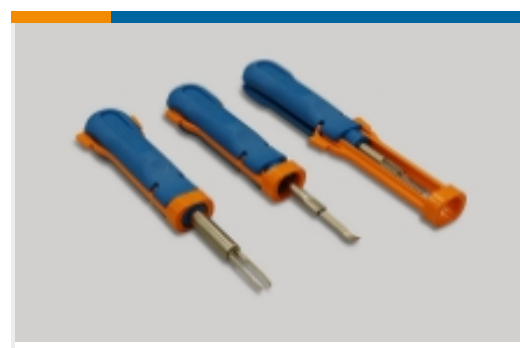
Compatible Parts



Also in the Series | **CHAMP - LOK**



Docking Connectors(3)

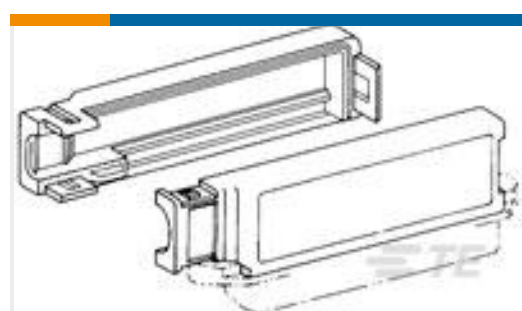
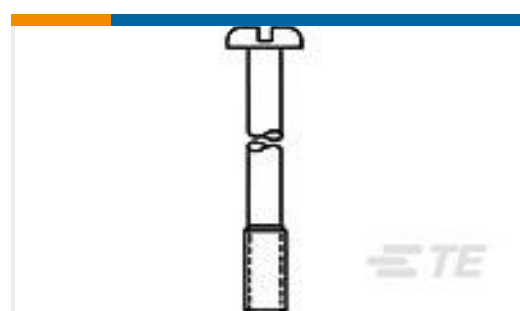
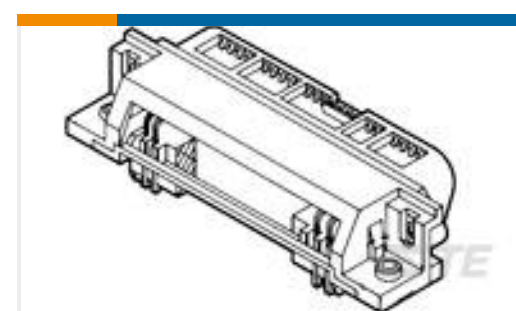


Insertion & Extraction Tools(2)



Standard Rectangular Connectors(1)

Customers Also Bought

TE Part #552285-1
ASSY, PLUG, 64 POS, B SLOTTE Part #552315-1
ASSY, RCPT, 64 POS, B SLOTTE Part #554954-2
PLUG KIT,50 POSN,SCR LK, SHLDTE Part #329697
TERMINAL,PIDG RECT 12-10 6TE Part #1-552496-1
90 DEG COVER KIT-64 POS BLKTE Part #5229911-1
SCREW,PAN HD,"CHAMP
PACKAGINGTE Part #6-1734774-9
PCI EXP 3.1L 64 POS BLK 30u"TE Part #5552744-1
ASSY,RCPT,64 POSN,RTANG,PCB

Documents

Product Drawings

ASSY, PLUG, 64 POS, E SLOT

English

CAD Files

3D PDF

3D

Customer View Model

[ENG_CVM_CVM_552488-1_T.2d_dxf.zip](#)

English

Customer View Model

[ENG_CVM_CVM_552488-1_T.3d_igs.zip](#)

English

Customer View Model

[ENG_CVM_CVM_552488-1_T.3d_stp.zip](#)

English

By downloading the CAD file I accept and agree to the [Terms and Conditions](#) of use.



Product Specifications

Application Specification

English

Agency Approvals

UL

English