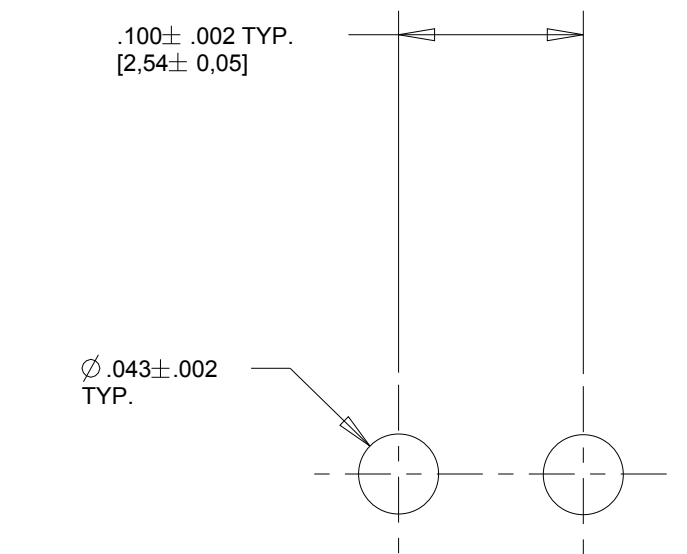
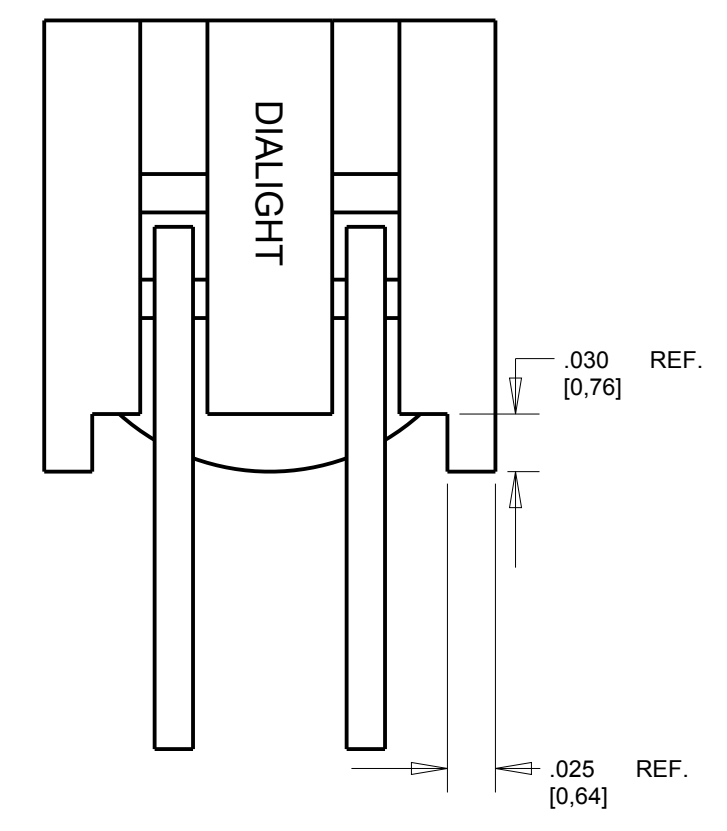
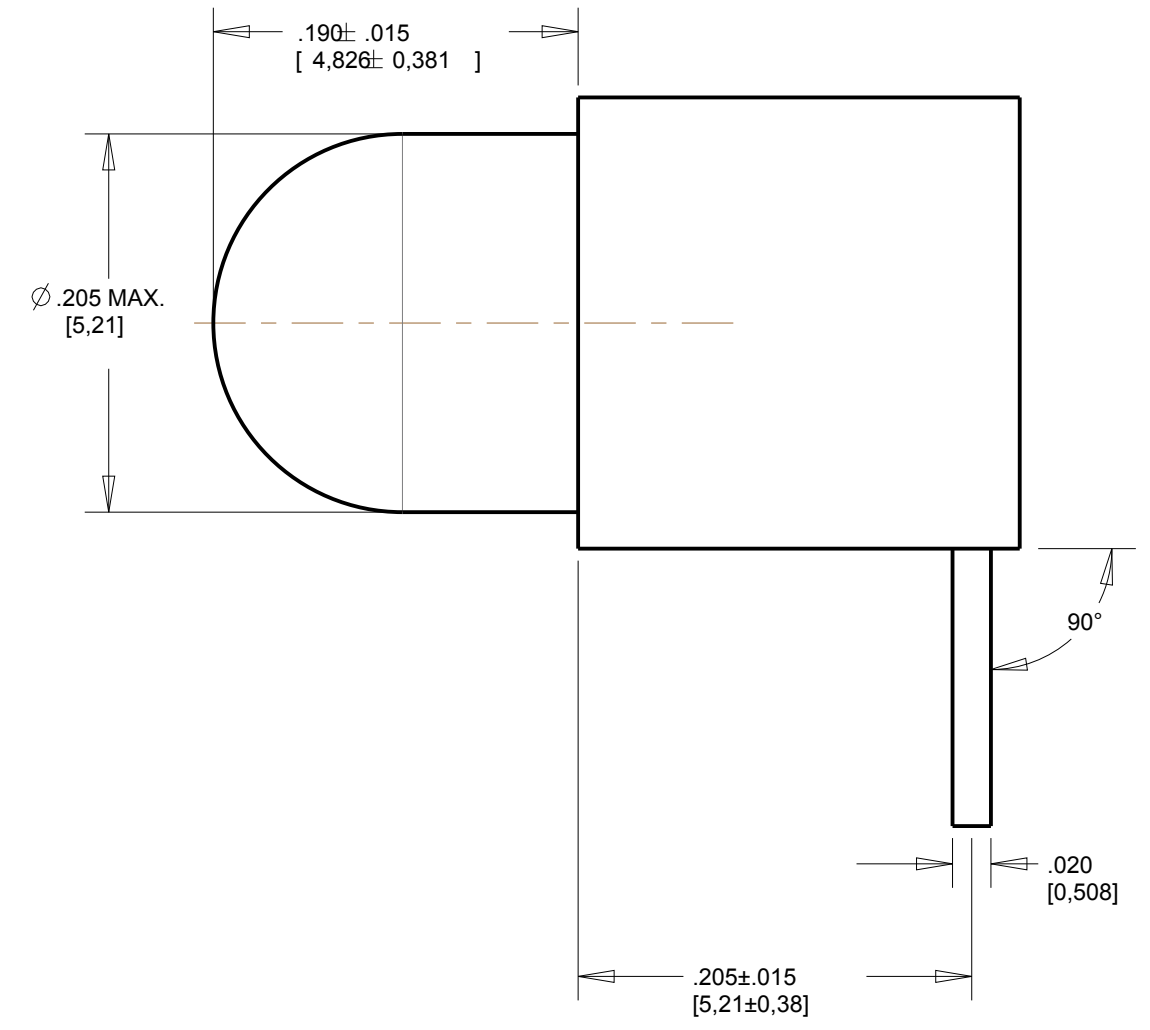
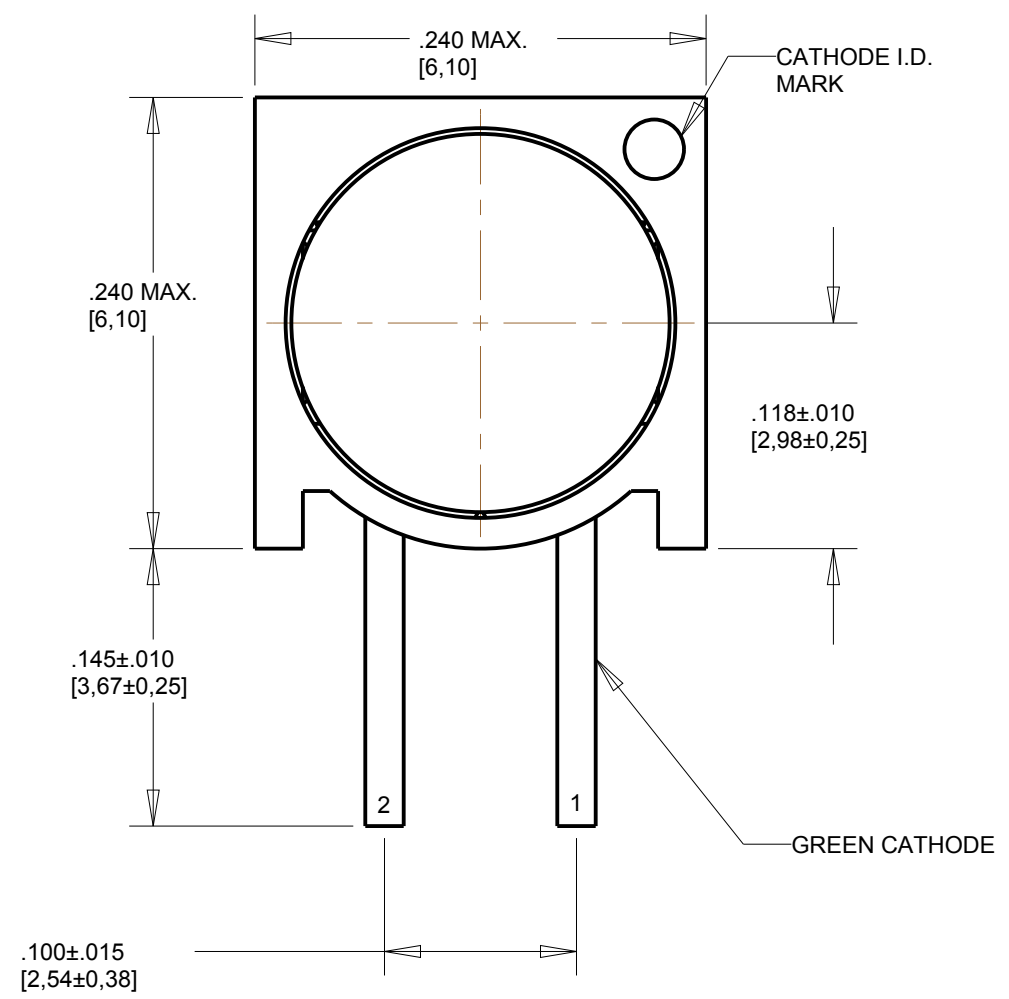
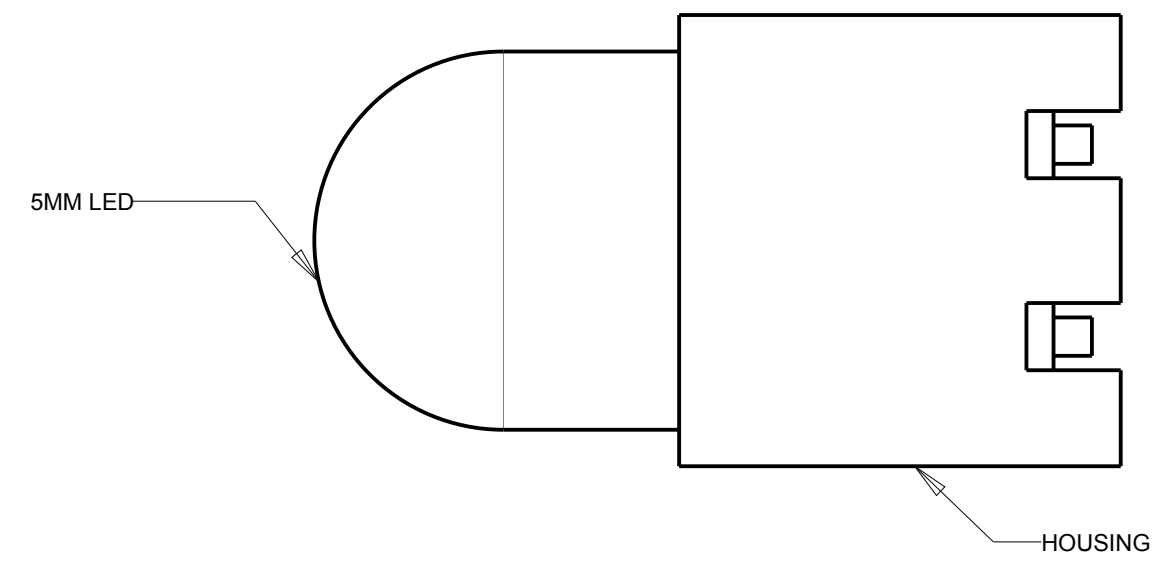
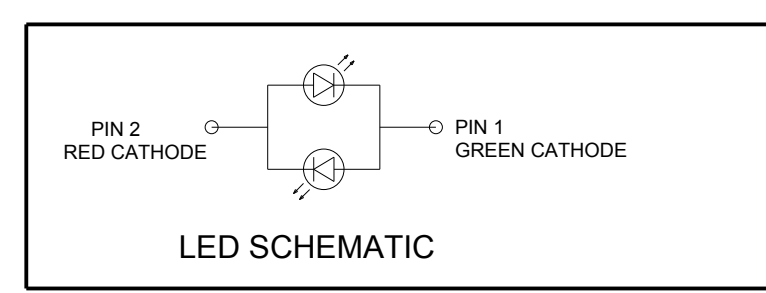


ASSEMBLY NUMBER	LED COLOR	LUM. INT. (MIN) (mcd)	V <sub>F</sub> (MAX) (V)	I <sub>F</sub> (MAX) (mA)	PEAK WAVELENGTH (nm)	TEST COND.	I <sub>R</sub> (MAX) AT 5V (μA)
550-3005-010F	RED	29	2.4	200	660	20mA	100
	GREEN	12.6	2.6	120	565		

REV	REVISIONS	DRN	CKD	APP	DATE
A	NEW RELEASE	LD		NO	9-17-19

**RoHS Compliant 550-3005-010F Thru Hole Single Square Back CBI**

Part Numbers with the "F" suffix ending are RoHS Compliant.  
 Example: 550-3005-010F  
 The bag packaging is marked with "RoHS Compliant" label or equivalent markings.  
 Parts can be wave soldered, dip soldered or hand soldered using typical lead-free soldering process with max 260°C temp. for 5 sec.




**RECOMMENDED P.C.B. HOLE PATTERN**

**NOTES:**

- LEADS TO FIT INTO HOLE PATTERN AS SHOWN.
- LED LEAD DIMENSIONS SHOWN ARE MEASURED AT HOUSING EXIT.
- PIN NUMBERS FOR REFERENCE ONLY, DESIGNATION NON-EXISTENT ON PARTS.
- THIS ASSEMBLY CONTAINS ELECTROSTATIC SENSITIVE DEVICES (ESDS). MAINTAIN ALL PRECAUTIONARY MEASURES DURING ASSEMBLY, HANDLING AND STORAGE IN ACCORDANCE WITH IPC-A-610.
- DIALIGHT PART NUMBER: 550-3005-010F



**ATTENTION:**  
 OBSERVE PRECAUTIONS FOR  
 HANDLING ELECTROSTATIC  
 SENSITIVE DEVICES

THIS DRAWING AND THE CONTENTS HEREIN ARE CONFIDENTIAL AND THE SOLE PROPERTY OF DIALIGHT CORP. REPRODUCTION OF THIS DRAWING OR CONSTRUCTION OF ANY PARTS WITHIN THIS DRAWING ARE FORBIDDEN WITHOUT THE WRITTEN CONSENT OF DIALIGHT CORP.		
SCALE: 10:000 ALL DIM'S IN: INCHES (MM)	DRAWING NUMBER <b>C-18445</b>	REV <b>A</b>
TOLERANCES: UNLESS OTHERWISE SPECIFIED FRACTIONS: ±1/64 DECIMALS (.XX): ±.01 DECIMALS (.XXX): ±.005 DECIMALS (.XXXX): ±.0005 ANGLES: ±1°	TITLE 5mm LED R/G BI COLOR REV. POLARITY	
FINISH	MATERIAL	
FSCM 83330	 1501 ROUTE 34 SOUTH FARMINGDALE, NJ 07727 (732) 919-3119 www.dialight.com	
SHEET 1 OF 1	FAMILY TABLES:	