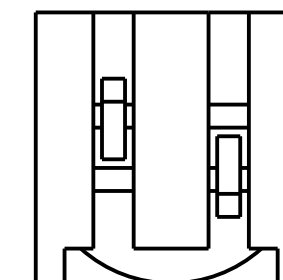
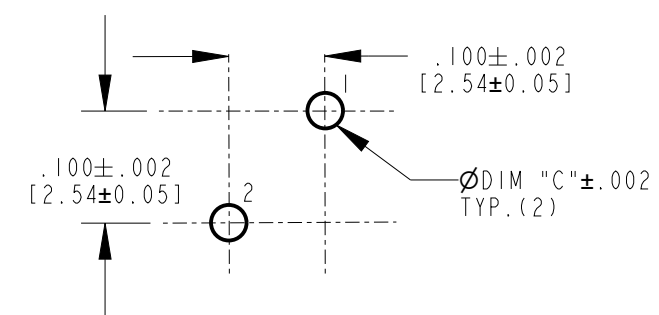
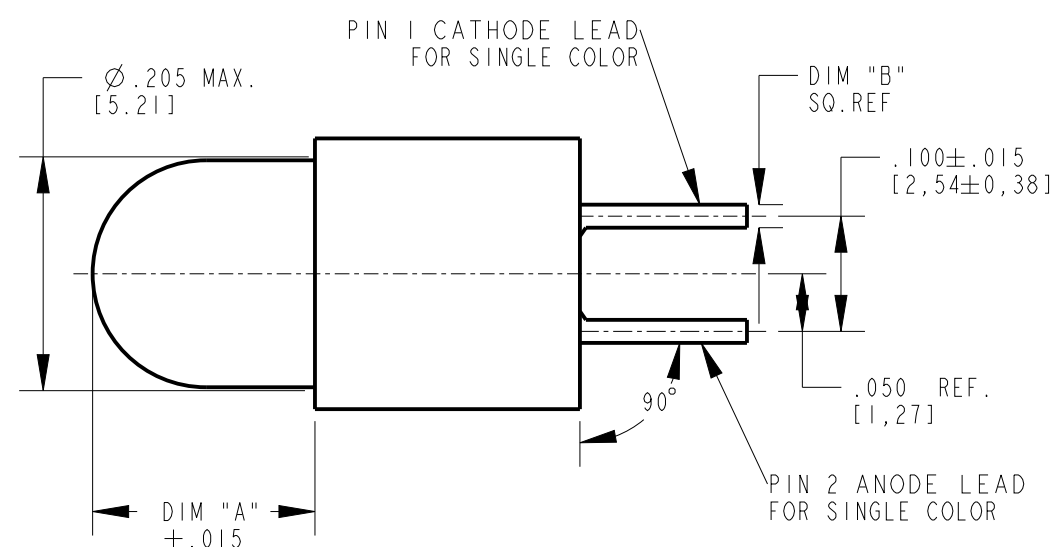
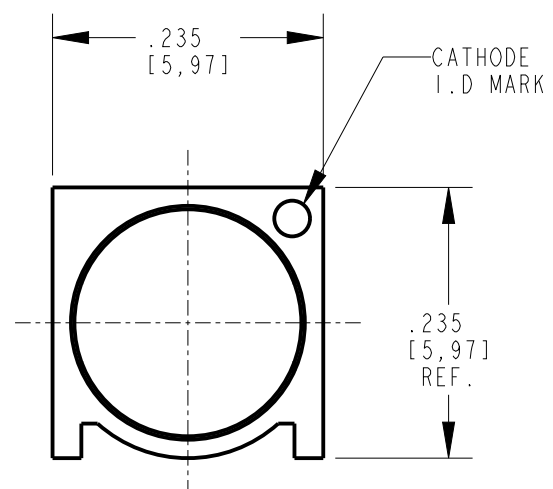
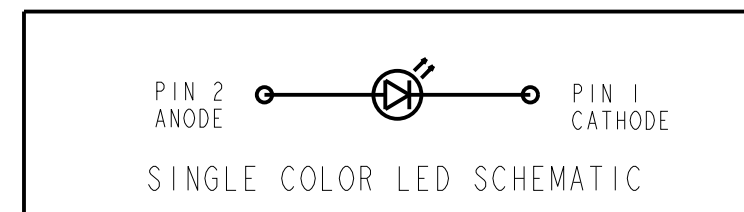
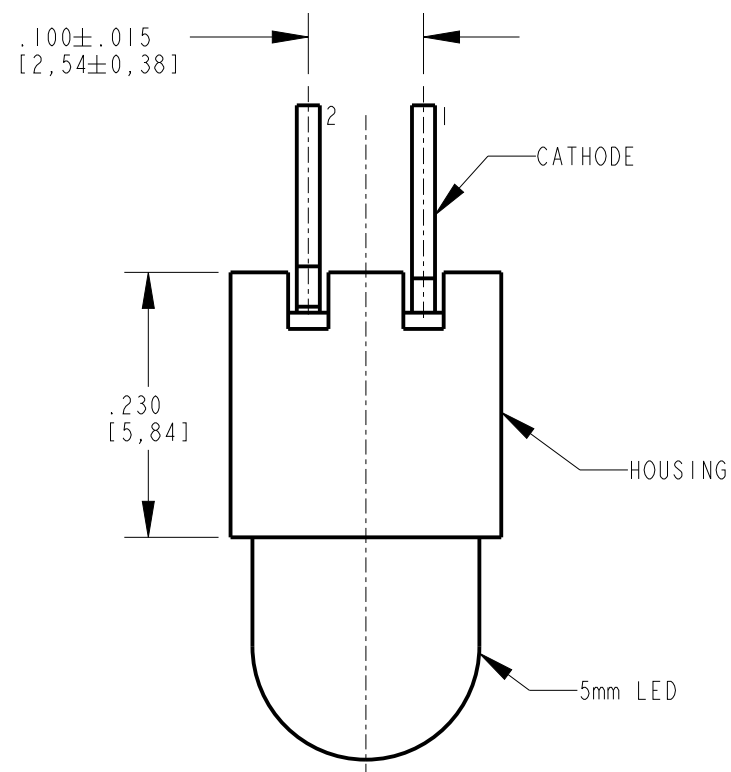


ASSEMBLY NUMBER	LED COLOR	DIM. "A"	DIM. "B"	DIM. "C"	ELECTRO OPTICAL CHARACTERISTICS AT TA=25°C					ABSOLUTE MAXIMUM RATINGS AT TA=25°C						
					LUMINOUS INTENSITY (mcd)	FORWARD VOLTAGE (V)	DOMINANT WAVE LENGTH (nm)	VIEWING ANGLE	TEST CONDITION	IR (Max) * 5V (uA)	POWER DISSIPATION (mW)	FORWARD CURRENT (mA)	PEAK FORWARD CURRENT (mA)	REVERSE BREAKDOWN VOLTAGE (V)	OPERATING TEMPERATURE	STORAGE TEMPERATURE
550-0504-020F	RED DIFFUSED 5 VOLT	.197	.025±.002	.050	2.4 MIN	-	626nm TYP	60	VF=5V	100	-	15	-	5	-40C TO +85C	-40C TO +100C
550-0704-020F	GREEN DIFFUSED 5 VOLT	.197	.025±.002	.050	2.0 MIN	-	569nm TYP	60	VF=5V	100	-	15	-	5	-20C TO +85C	-40C TO +100C
550-0804-020F	YELLOW DIFFUSED 5 VOLT	.197	.025±.002	.050	2.2 MIN	-	589nm TYP	60	VF=5V	100	-	15	-	5	-40C TO +85C	-40C TO +100C
550-1104-020F	RED TINTED DIFFUSED 2mA	.197	.018±.002	.040	1.3 MIN/2.3 TYP	1.9V TYP/2.2V MAX	626nm TYP	50	2mA	50	14	7	7	5	-40C TO +100C	-40C TO +100C
550-1204-020F	YELLOW TINTED DIFFUSED 2mA	.197	.018±.002	.040	1.0 MIN/2.1 TYP	1.9V TYP/2.5V MAX	589nm TYP	50	2mA	50	17.5	7	7	5	-40C TO +100C	-40C TO +100C
550-1304-020F	GREEN DIFFUSED 2mA	.197	.018±.002	.040	1.6 MIN/3.2 TYP	1.9V TYP/2.2V MAX	569nm TYP	50	2mA	50	15.4	7	7	5	-20C TO +100C	-40C TO +100C
550-2204-020F	GREEN DIFFUSED	.190	.020±.004	.043	5.6 MIN/16 TYP	2.1V TYP/3.0V MAX	570nm TYP	40	10mA	100	75	25	60	3	-25C TO +85C	-30C TO +100C
550-2304-020F	YELLOW DIFFUSED	.190	.020±.004	.043	19 MIN/29 TYP	2.1V TYP/2.6V MAX	590nm TYP	50	10mA	100	52	20	60	5	-40C TO +85C	-40C TO +100C
550-2404-020F	RED DIFFUSED	.190	.020±.004	.043	9.0 MIN/18 TYP	2.0V TYP/3.0V MAX	630nm TYP	40	10mA	100	60	20	60	3	-25C TO +85C	-30C TO +100C
550-2504-020F	ORANGE DIFFUSED	.197	.020±.004	.043	6.1 MIN	1.9V TYP/2.4V MAX	605nm TYP	60	10mA	100	135	25	90	5	-40C TO +100C	-40C TO +100C

REV	ECN NO	REVISIONS	DRN	CKD	APP	DATE
A	97511	NEW RELEASE	JSG	CS	NO	14SEP22



NOTES:

- LEADS TO FIT INTO HOLE PATTERN AS SHOWN.
- LED LEAD DIMENSIONS SHOWN ARE MEASURED AT HOUSING EXIT.
- PIN NUMBERS FOR REFERENCE ONLY, DESIGNATION NON-EXISTENT ON PARTS. (PIN OUTS MATCH OBSOLETE (EOL) VCC PART NUMBERS) SEE TABLE
- THIS ASSEMBLY CONTAINS ELECTROSTATIC DISCHARGE SENSITIVE DEVICES(ESDS). MAINTAIN ALL PRECAUTIONARY MEASURES DURING ASSEMBLY, HANDLING AND STORAGE IN ACCORDANCE WITH IPC-A-610.
- DIALIGHT PART NUMBERS: 550-0504-020F THRU 550-2504-020F

RoHS Compliant 550-XX04-020F Thru-hole CBI

Part Numbers with the "F" suffix ending are RoHS Compliant. ex: 550-XX04-020F
The bag packaging is marked with "RoHS Compliant" label or equivalent markings. Parts can be wave soldered, dip soldered or hand soldered using typical lead-free soldering process with max 260°C temp. for 5 sec.



ATTENTION:
OBSERVE PRECAUTIONS FOR
HANDLING ELECTROSTATIC
SENSITIVE DEVICES

THIS DRAWING AND THE CONTENTS HEREIN ARE CONFIDENTIAL AND THE SOLE PROPERTY OF DIALIGHT CORP. REPRODUCTION OF THIS DRAWING OR CONSTRUCTION OF ANY PARTS WITHIN THIS DRAWING ARE FORBIDDEN WITHOUT THE WRITTEN CONSENT OF DIALIGHT CORP.		
DIALIGHT CORP. INTERNAL REFERENCE ONLY = 3D MODEL = 550XX04020F-A-1		
SCALE: 6.000	DRAWING NUMBER	REV
ALL DIM'S IN: INCHES (MM)	C-18581	A
TOLERANCES: UNLESS OTHERWISE SPECIFIED	TITLE 5mm LED CBI, TOP VIEW REVERSE BEND	
FRACTIONS: ±1/64	MATERIAL	
DECIMALS (.XX): ±.01	FINISH	
DECIMALS (.XXX): ±.005	FSCM 83330	
DECIMALS (.XXXX): ±.0005	SHEET 1 OF 1 FAMILY TABLE:	
ANGLES: ±1°	Dialight 1501 ROUTE 34 SOUTH FARMINGDALE, NJ 07727 (732) 919-3119 www.dialight.com	