



RAYCHEM

TE Internal #: EL8390-000

Spec 55, Operating Voltage 600 V, Silver-Coated High Strength Copper Alloy, 20 AWG Wire Size, Operating Temperature Range -65 – 200 °C, Hook Up Wire

[View on TE.com >](#)

Wire & Cable > Hook Up Wire > Space Wire: Silver Coated Copper Wire, 20 AWG



Cable Type: **Spec 55**

Operating Voltage: **600 V**

Wire & Cable Insulation Material: **Modified Radiation Cross-linked ETFE Polymer**

Conductor Material: **Silver-Coated High Strength Copper Alloy**

Wire Size: **20 AWG**

[All Space Wire: Silver Coated Copper Wire, 20 AWG \(17\)](#)

Features

Electrical Characteristics

Operating Voltage	600 V
-------------------	-------

Body Features

Wire & Cable Insulation Material	Modified Radiation Cross-linked ETFE Polymer
Conductor Material	Silver-Coated High Strength Copper Alloy
Wire Color (Base)	Red

Dimensions

Wire Size	20 AWG
-----------	--------

Usage Conditions

Cable Type	Spec 55
Operating Temperature Range	-65 – 200 °C

Product Compliance

[For compliance documentation, visit the product page on TE.com>](#)

EU RoHS Directive 2011/65/EU	Not Compliant
EU ELV Directive 2000/53/EC	Not Compliant



China RoHS 2 Directive MIIT Order No 32, 2016	Restricted Materials Above Threshold
EU REACH Regulation (EC) No. 1907/2006	Current ECHA Candidate List: JUNE 2024 (241) Candidate List Declared Against: JAN 2024 (240) SVHC > Threshold: Cd (.6% in Conductor) Article Safe Usage Statements: Use personal protective equipment as required. Do not eat, drink or smoke when using this product. Recycle if possible and dispose of the article by following all applicable governmental regulations relevant to your geographic location.
Halogen Content	Low Bromine/Chlorine - Br and Cl < 900 ppm per homogenous material. Also BFR /CFR/PVC Free
Solder Process Capability	Not applicable for solder process capability

Product Compliance Disclaimer

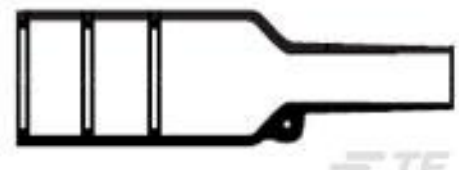
This information is provided based on reasonable inquiry of our suppliers and represents our current actual knowledge based on the information they provided. This information is subject to change. The part numbers that TE has identified as EU RoHS compliant have a maximum concentration of 0.1% by weight in homogenous materials for lead, hexavalent chromium, mercury, PBB, PBDE, DBP, BBP, DEHP, DIBP, and 0.01% for cadmium, or qualify for an exemption to these limits as defined in the Annexes of Directive 2011/65/EU (RoHS2). Finished electrical and electronic equipment products will be CE marked as required by Directive 2011/65/EU. Components may not be CE marked. Additionally, the part numbers that TE has identified as EU ELV compliant have a maximum concentration of 0.1% by weight in homogenous materials for lead, hexavalent chromium, and mercury, and 0.01% for cadmium, or qualify for an exemption to these limits as defined in the Annexes of Directive 2000/53/EC (ELV). Regarding the REACH Regulation, the information TE provides on SVHC in articles for this part number is based on the latest European Chemicals Agency (ECHA) 'Guidance on requirements for substances in articles' posted at this URL: <https://echa.europa.eu/guidance-documents/guidance-on-reach>

Compatible Parts



TE Part # A36675-000
D-200-83

Customers Also Bought



TE Part #396040-000
202K111-25-0



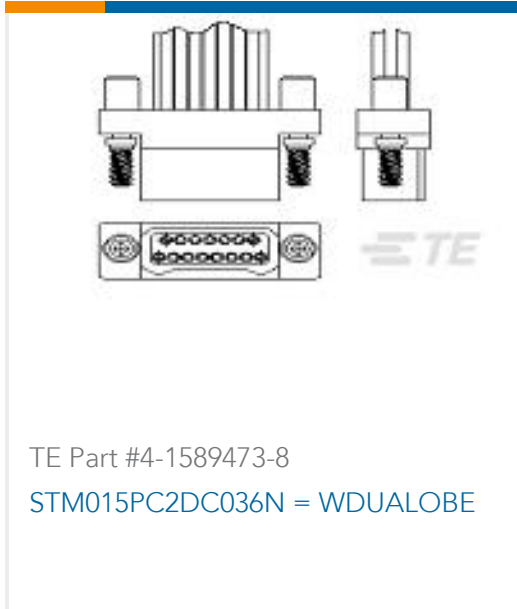
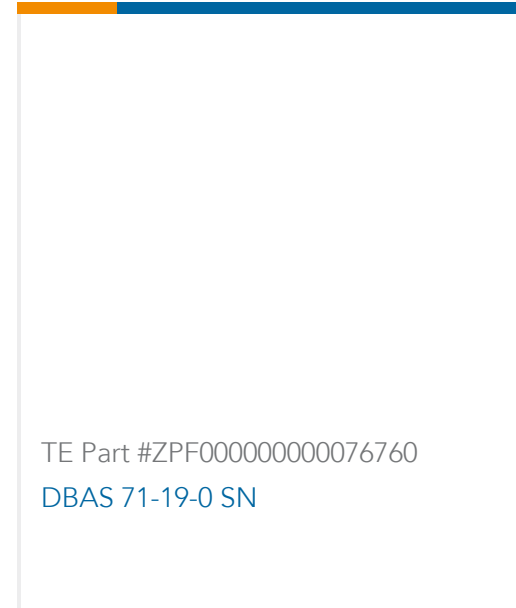
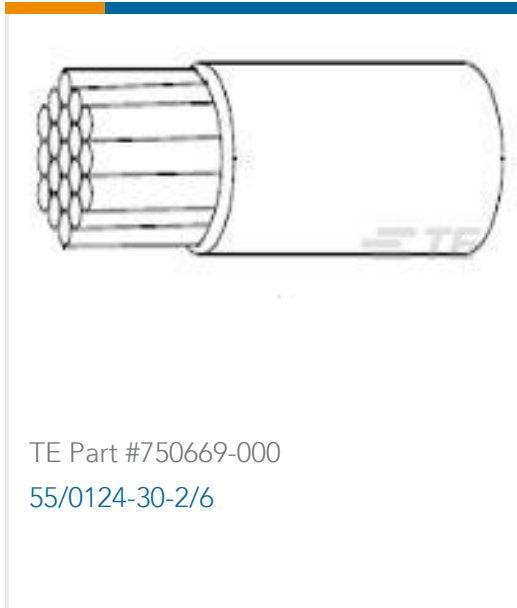
TE Part #8306110001
HT-SCE High Temperature Sleeves



TE Part #323064
TERMINAL,SOLIS R HR 12-10 5/16



TE Part #5650470-5
ASSY,PIN,EUROCARD,TYPE R,LEAD-



Documents

Product Drawings

[55/0314-20-2](#)

English

Product Specifications

[Product Specification](#)

English