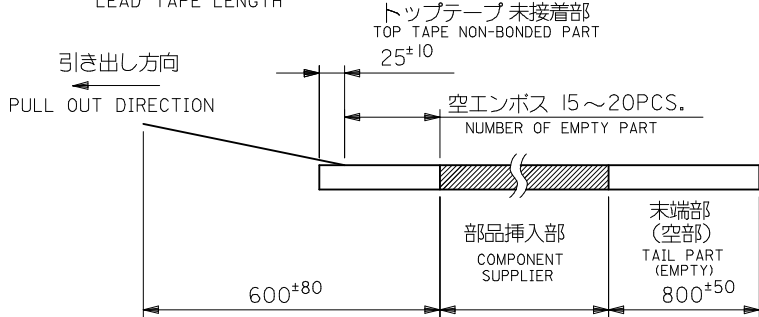
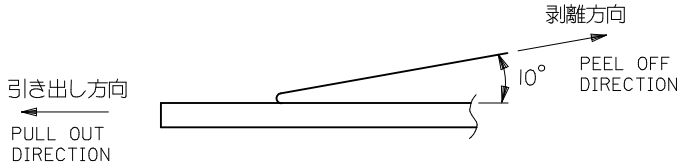


注記  
NOTES

1. 梱包数量：1000個/リール  
NUMBER OF CONNECTORS : 1000PCS/REEL
2. リードテープ長さ  
LEAD TAPE LENGTH

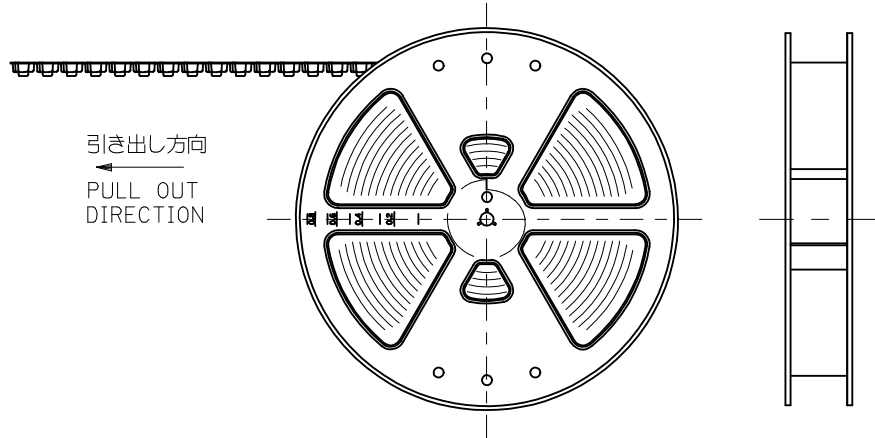


3. トップテープの剥離強度：60 ± 35gf(剥離方向は下図参照)  
尚、本規格値は、出荷時に適用。(但し、輸送時に剥離が発生しないこと。)  
PEELING OFF FORCE OF TOP TAPE : 60 ± 35gf.  
(PEELING DIRECTION AS SHOWN IN FOLLOWING FIG.)  
THIS REQUIREMENT SHOULD BE APPLIED AT SHIPMENT.  
(PEELING OFF SHOULD NOT BE ALLOWED, DURING TRANSPORTATION.)



4. 材料 (MATERIAL)

キャリアテープ：ポリスチレン (PS)  
CARRIER TAPE : POLYSTYRENE (PS)  
トップテープ：PET, PE, PEF  
TOP TAPE : PET, PE, PEF  
リール：ポリスチレン  
REEL : POLYSTYRENE



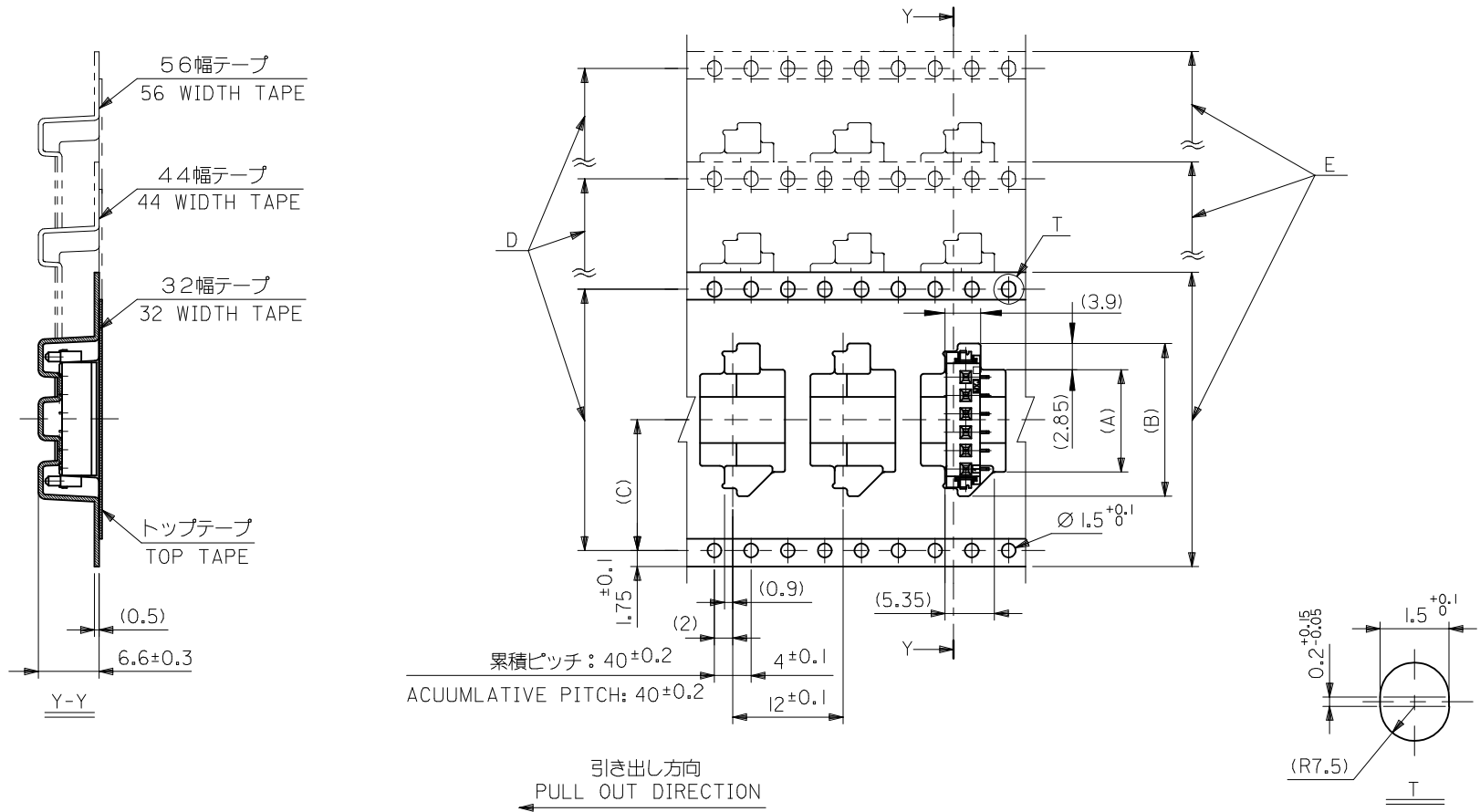
無鉛 LEAD FREE	56.4	56	52.4	26.2	44.6	39.3	54861-2070	20	○
					42.6	37.3	54861-1970	19	○
					40.6	35.3	54861-1870	18	—
					38.6	33.3	54861-1770	17	○
					36.6	31.3	54861-1670	16	○
					34.6	29.3	54861-1570	15	○
					32.6	27.3	54861-1470	14	○
					30.6	25.3	54861-1370	13	—
					28.6	23.3	54861-1270	12	○
					26.6	21.3	54861-1170	11	—
44.4	44	40.4	20.2	24.6	19.3	54861-1070	10	○	
				22.6	17.3	54861-0970	09	—	
				20.6	15.3	54861-0870	08	○	
32.4	32	28.4	14.2	18.6	13.3	54861-0770	07	—	
				16.6	11.3	54861-0670	06	○	
F	E	D	(C)	(B)	(A)	製品番号 MATERIAL NO.	極数 CIRCUITS	量産対応 AVAILABLE	

GENERAL TOLERANCES (UNLESS SPECIFIED)		
10 UNDER		± 0.2
10 OVER	30 UNDER	± 0.25
30 OVER		± 0.3
ANGULAR		± 3 °
DRAFT WHERE APPLICABLE MUST REMAIN WITHIN DIMENSIONS		

REVISED	DESCRIPTION
EC NO: JTR2013-0011	
DRW: INQUE02	2012/09/28
CHKD: SANDO	2012/10/03
APPR: MAYAMOTO	2012/11/20

DIMENSION STYLE		SCALE	DESIGN UNITS	THIRD ANGLE PROJECTION
MM ONLY			METRIC	
DRAWN BY	DATE	TITLE		
H. TAMURA	2000/10/04	2.0 HIC/LCD CONN. EMBOSSED TAPE PACKAGE		
CHECKED BY	DATE			
M. SAKANO	2000/10/04			
APPROVED BY	DATE			
T. KODAMA	2000/10/04	MATERIAL NO.	DOCUMENT NO.	SHEET NO.
		SEE CHART	SD-54861-006	1 OF 2

THIS DRAWING CONTAINS INFORMATION THAT IS PROPRIETARY TO MOLEX INCORPORATED AND SHOULD NOT BE USED WITHOUT WRITTEN PERMISSION



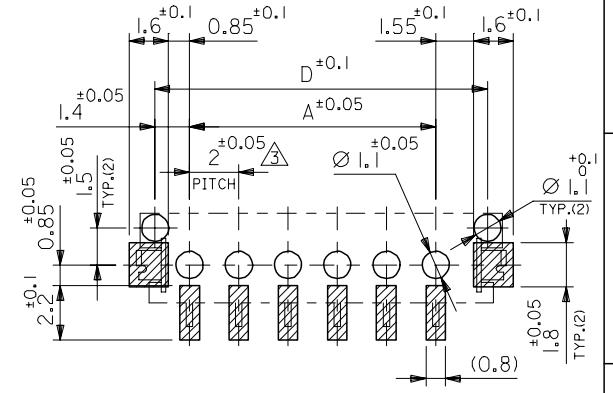
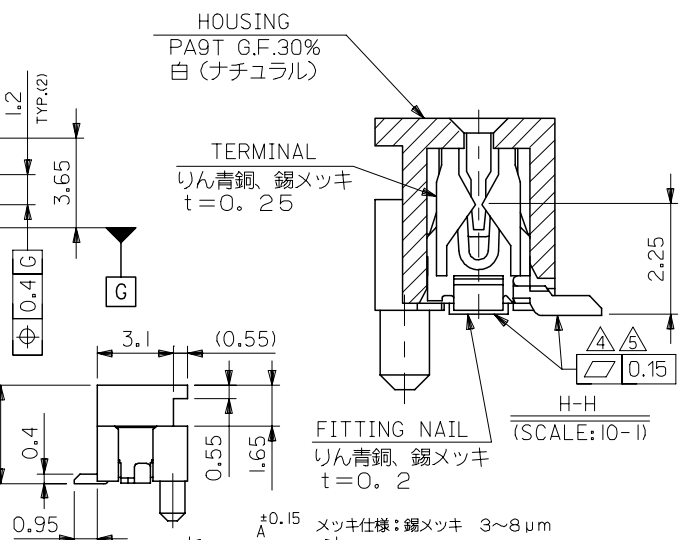
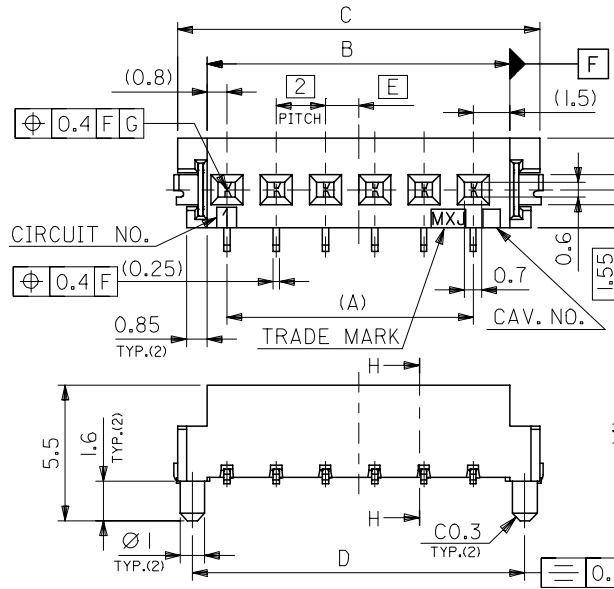
GENERAL TOLERANCES (UNLESS SPECIFIED)	
10 UNDER	± 0.2
10 OVER 30 UNDER	± 0.25
30 OVER	± 0.3
ANGULAR	± 3 °
DRAFT WHERE APPLICABLE MUST REMAIN WITHIN DIMENSIONS	

REVISED	DESCRIPTION
EC NO: JTR2013-0011	
DRW:K INOUE02 2012/09/28	
CHK:K SANDO 2012/10/03	
APP:R MAYAMOTO 2012/11/20	
REV	

DRAWN BY		DATE	
H. TAMURA		2000/10/04	
CHECKED BY		DATE	
M. SAKANO		2000/10/04	
APPROVED BY		DATE	
T. KODAMA		2000/10/04	
MATERIAL NO.			
SEE CHART			
SIZE	THIS DRAWING CONTAINS INFORMATION THAT IS PROPRIETARY TO MOLEX INCORPORATED AND SHOULD NOT BE USED WITHOUT WRITTEN PERMISSION		
A3			

DIMENSION STYLE	SCALE	DESIGN UNITS	THIRD ANGLE PROJECTION
MM ONLY		METRIC	
TITLE			
2.0 HIC/LCD CONN. EMBOSSED TAPE PACKAGE			
DOCUMENT NO.			
SD-54861-006			
SHEET NO.			
2 OF 2			

DRAWN BY		DATE	
H. TAMURA		2000/10/04	
CHECKED BY		DATE	
M. SAKANO		2000/10/04	
APPROVED BY		DATE	
T. KODAMA		2000/10/04	
MATERIAL NO.			
SEE CHART			
SIZE	THIS DRAWING CONTAINS INFORMATION THAT IS PROPRIETARY TO MOLEX INCORPORATED AND SHOULD NOT BE USED WITHOUT WRITTEN PERMISSION		
A3			

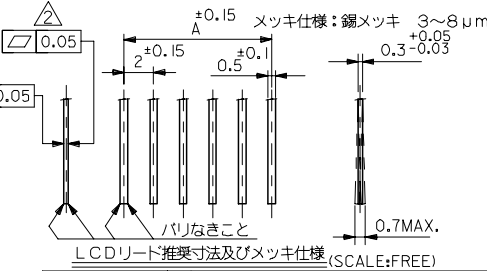
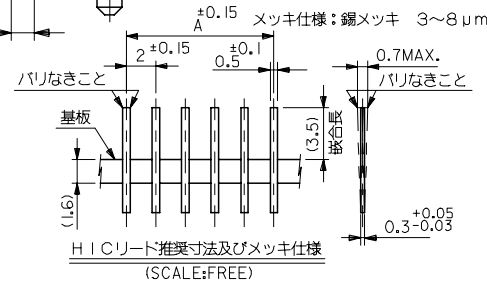


参考基板レイアウト (マウント面)  
P.C.B. PATTERN LAYOUT (REF.)  
(MOUNT AREA)

1.35	41.5	42.7	40.3	38	54861-2019	20
0.35	39.5	40.7	38.3	36	54861-1919	19
1.35	37.5	38.7	36.3	34	54861-1819	18
0.35	35.5	36.7	34.3	32	54861-1719	17
1.35	33.5	34.7	32.3	30	54861-1619	16
0.35	31.5	32.7	30.3	28	54861-1519	15
1.35	29.5	30.7	28.3	26	54861-1419	14
0.35	27.5	28.7	26.3	24	54861-1319	13
1.35	25.5	26.7	24.3	22	54861-1219	12
0.35	23.5	24.7	22.3	20	54861-1119	11
1.35	21.5	22.7	20.3	18	54861-1019	10
0.35	19.5	20.7	18.3	16	54861-0919	9
1.35	17.5	18.7	16.3	14	54861-0819	8
0.35	15.5	16.7	14.3	12	54861-0719	7
1.35	13.5	14.7	12.3	10	54861-0619	6
E	D	C	B	A	MATERIAL NO.	CKT.

MODEL NO. 54861-\*\*-19

- 注記  
NOTES
1. 嵌合相手: HICリード、LCDリード (0.3X0.5)  
MATE WITH :HIC LEAD, LCD LEAD(0.3X0.5)
  - △ LCDリードの反りは0.05MAX.  
CAMBER OF LCD LEAD 0.05MAX.
  - △ 公差非累積のこと。  
NON-ACCUMULATIVE.
  - △ 水平面上に置いて各シルダーテールと各フィッティングネイル間で維持すること。  
TO MAINTAIN AT EVERY SOLDER TAIL AND FITTING NAIL.
  - △ リフロー後のシルダーテールとフィッティングネイルの平坦度は 0.15 MAX. とする。  
TAIL AND NAIL COPLANARITY AFTER REFLOW TO BE 0.15 MAX.



RELEASED EC NO: J2006-3834 DRW:SHIBATA CHK:D:TAITO APPR:AKANESHIGE 2006/06/20 2006/06/20 2006/06/23	GENERAL TOLERANCES (UNLESS SPECIFIED)		DIMENSION STYLE MM ONLY		SCALE 5:1	DESIGN UNITS METRIC	THIRD ANGLE PROJECTION
	10 UNDER	±0.2	DRAWN BY DATE SHSHIBATA 2006/6/20		TITLE 2.0 HIC/LCD CONN. HOUSING ASSY -LEAD FREE-		
	10 OVER 30 UNDER	±0.25	CHECKED BY DATE TAITO 2006/6/20		APPROVED BY DATE AKANESHIGE 2006/6/20		
	30 OVER	±0.3	APPROVED BY DATE AKANESHIGE 2006/6/20		MATERIAL NO. SEE CHART		
	ANGULAR	±3 °	DRAFT WHERE APPLICABLE MUST REMAIN WITHIN DIMENSIONS		DOCUMENT NO. SD-54861-013		SHEET NO. 1 OF 1