

**PRODUCT NUMBER**  
54776-XXX-XXLF

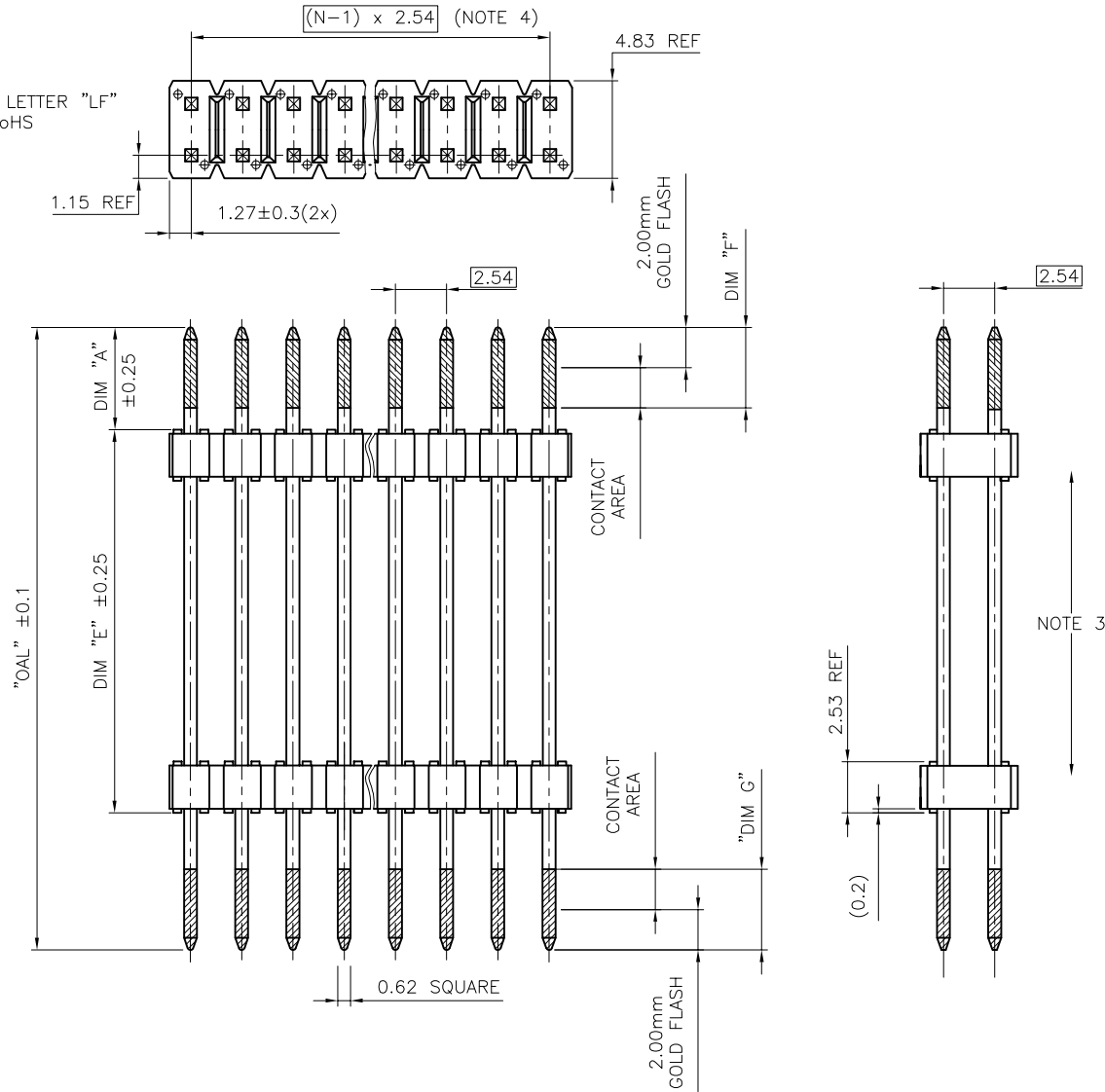
PLATING  
1 = 0.76µm GOLD/GXT ON CONTACT AREA OVER 1.27µm NICKEL MIN  
6 = 0.76µm GXT (PdNi WITH GOLD FLASH) ON CONTACT AREAS OVER 1.27µm NICKEL MIN (ALTERNATIVE 0.76µm GOLD/GXT ON CONTACT AREAS)

WHEN REQUIRED, ADD SUFFIX LETTER "LF" INDICATES THE PRODUCT IS RoHS COMPATIBLE, SEE NOTE 5  
TOTAL NB OF POSITIONS 04 TO 72

PIN STYLE	DIM "A"	DIM "E"	"OAL"	DIM "F"	DIM "G"
01	4.8	21.0	35.8	4.0 MIN	4.0 MIN
02	4.8	24.5	38.4	4.0 MIN	4.0 MIN
03	5.8	16.0	31.1	4.0 MIN	4.0 MIN
04	SEE DIMENSIONS ON SHEET 2			6.0 MIN	6.0 MIN
05	8.5	15.0	35.8	6.5 MIN	8.0 MIN
06	9.6	16.0	35.9	6.0 MIN	6.0 MIN
07	8.05	15.0	31.1	4.0 MIN	4.0 MIN

**NOTES:**

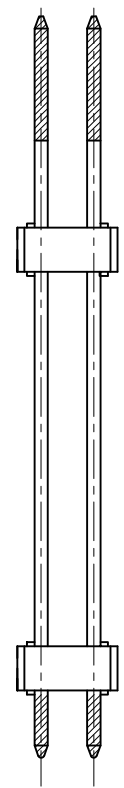
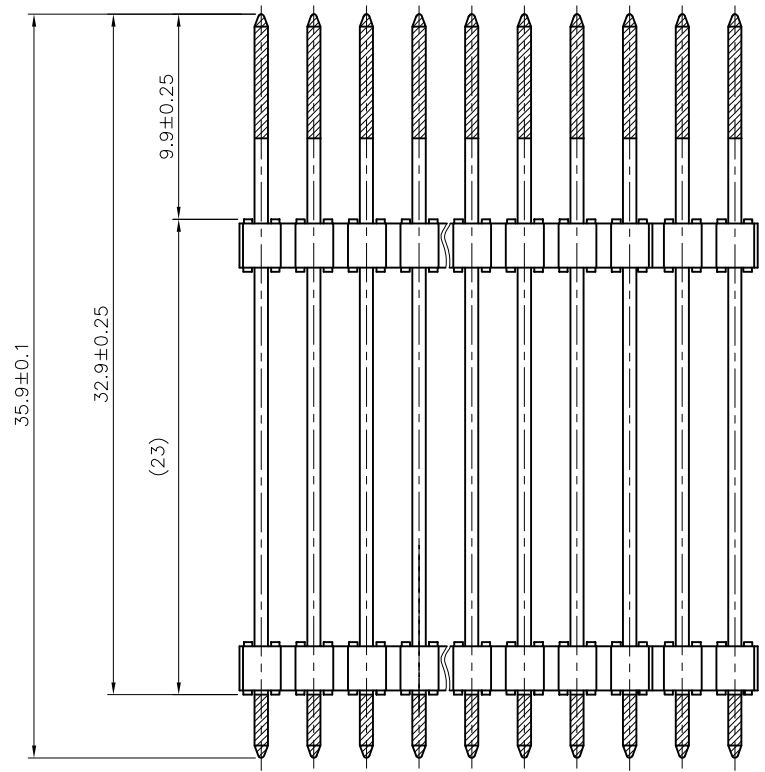
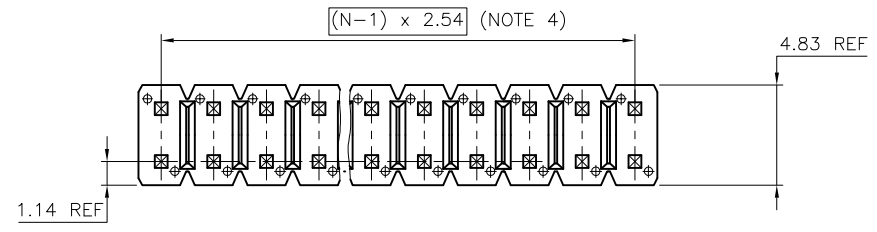
- HOUSING MAT'L : HIGH TEMPERATURE THERMOPLASTIC. UL94V-0 COLOR: BLACK
- PIN MATERIAL : PHOSPHOR BRONZE
- 9N MIN RETENTION IN EITHER DIRECTION
- TO DETERMINE DIMENSIONS :  
N = NUMBER OF POSITIONS PER ROW  
EXAMPLE : 8 POS PER ROW, N x 2.54 = 20.32mm
- RoHS COMPATIBLE PRODUCT SPECIFICATIONS
  - PLATING:
    - "LF" MEANS THE PRODUCT IS LEAD-FREE,
  - MANUFACTURING PROCESS COMPATIBILITY
    - THE HOUSING WILL WITHSTAND EXPOSURE TO 260°C ±5°C SOLDER BATH TEMPERATURE FOR 5 SECONDS IN A WAVE SOLDER APPLICATION WITH A 1.6mm MIN THICK CIRCUIT BOARD.
  - LABELING:
    - MEETS PACKAGING SPECS AS PER GS-14-920
  - LEGAL STATEMENT: SEE GS-22-008



mat'l. code		surface ISO 1302		tolerance ISO 406 ISO 1101		projection		product family BERGSTIK	
ltr	ecn no	dr	date	tolerances unless otherwise specified		mm		title	
H	F07-0207	LMU	07.06.06	angles	linear	scale 5:1		HEADER DR	
J	F08-0116	JCO	08.02.04					DOUBLE BODY TRIPLEX	
K	F08-0148	RTR	08.03.31					dwg no	
L	F11-0030	JCO	11.02.18	dr	LMU	02.03.04	sheet 1 of 2		
				enfr	J	COMPAGNON	02.03.04	size	
E	F05-0191	LMU	05.05.18	chr	JCO	02.04.02	54776 A3		
F	F07-0196	LMU	06.06.13	appd	JCO	02.04.02	type CUSTOMER Drawing		
sheet index	revision sheet	1 M	2 A						

PRODUCT DIMENSIONS  
FOR REFERENCES

54776-604-06LF  
54776-604-20LF



FCIconnect.com

Copyright FCI

mat'l. code		surface ISO 1302		tolerance ISO 406 ISO 1101		projection mm		product family BERGSTIK	
ltr	ecn no	dr	date	tolerances unless otherwise specified		mm		title	
A	F08.0116	JCO	08.02.24	angles	linear	scale 5:1		HEADER DR DOUBLE BODY TRIPLEX	
		dr	LMU	08.01.15		FCI		dwg no	
		enr	J	COMPAGNON 08.01.15				sheet 2 of - size	
		chr						54776 A3	
		appd						type CUSTOMER Drawing	
sheet index	revision sheet								