

**PLEASE CHECK WWW.MOLEX.COM FOR LATEST PART INFORMATION**

**Part Number:** [54679-1609](#)  
**Status:** **Active**  
**Description:** 1.25mm Pitch Small MGC (Multi-Ground Connector) Panel Mount Receptacle Housing Adapter, Polarizing Key 6.00mm Left from the Center

**Documents:**

[3D Model](#) [Packaging Specification SPK-54679-001 \(PDF\)](#)  
[Drawing \(PDF\)](#) [RoHS Certificate of Compliance \(PDF\)](#)  
[Product Specification PS-54678-007 \(PDF\)](#)

**General**

Product Family	Accessories
Series	<a href="#">54679</a>
Component Type	Adapter
Product Name	Small MGC
UPC	822348366804

**Physical**

Circuits (Loaded)	16
Color - Resin	Gray
Gender	Female
Material - Plating Mating	Gold
Material - Plating Termination	Tin
Material - Resin	Polyester
Net Weight	5534.680/mg
Number of Rows	2
Packaging Type	Tray
Plating min - Mating	0.102µm
Plating min - Termination	1.016µm
Polarized to Mating Part	Yes
Temperature Range - Operating	-20°C to +80°C
Termination Interface: Style	N/A, Through Hole

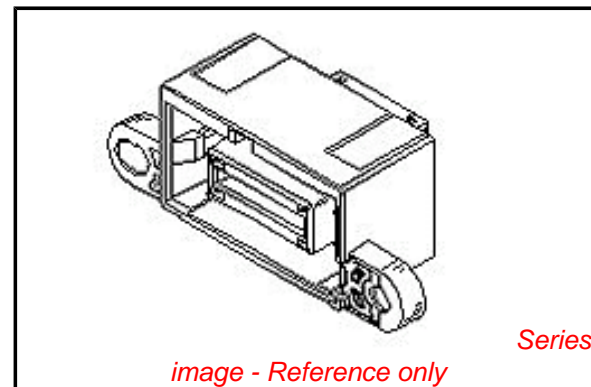
**Electrical**

Current - Maximum per Contact	1.5A
-------------------------------	------

**Material Info**

**Reference - Drawing Numbers**

Packaging Specification	SPK-54679-001
Product Specification	PS-54678-007
Sales Drawing	SD-54679-004



**EU RoHS**

**ELV and RoHS  
Compliant**  
**REACH SVHC  
Contains SVHC: No  
Low-Halogen Status  
Not Low-Halogen**

**China RoHS**



**Need more information on product  
environmental compliance?**

Email [productcompliance@molex.com](mailto:productcompliance@molex.com)  
For a multiple part number RoHS Certificate of Compliance, [click here](#)

Please visit the [Contact Us](#) section for any non-product compliance questions.

**Search Parts in this Series**

[54679Series](#)

**Use With**

[54596 Series](#)