

10 9 8 7 6 5 4 3 2 1

F

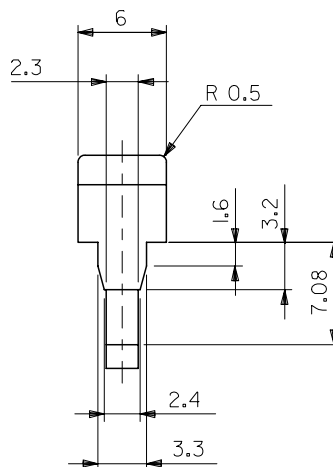
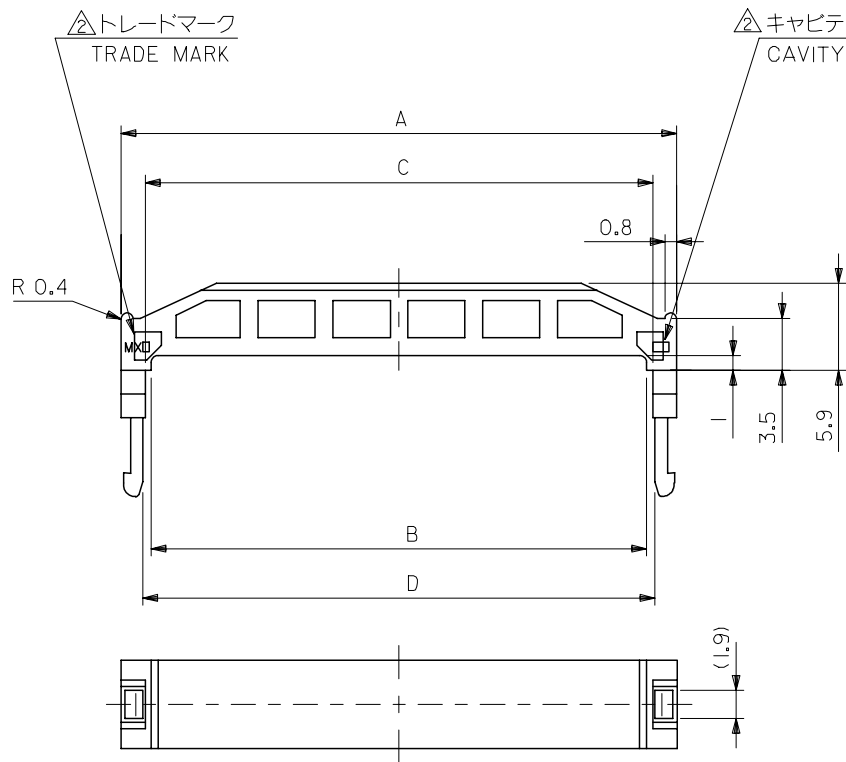
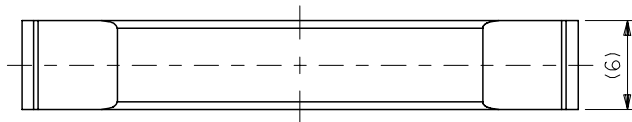
E

D

C

B

A



注記
NOTES

- 1. 適合ハウジングアッセンブリ: 54559-**1I, 54559-***4I
 APPLICABLE UPPER HSG ASS'Y : 54559-**1I, 54559-***4I
 適合アッパーハウジング: 54560-**0I
 APPLICABLE STRAIN RELIEF : 54560-**0I

△トレードマーク: MX プラス 製造工場を示すアルファベットにて構成
 但し、* J * は JAPAN を示す。(例 MX J)
 キャビティ番号: 数字で表示。
 金型番号: アルファベットにて構成。

FORMED BY MX AND ALPHABET WHICH MEAN
 THE MANUFACTORY, BUT "J" MEANS JAPAN. (TO TRADE MARK)
 (e.g. MXJ)
 AND BY NUMBERS (TO CAVITY NO.)
 AND BY ALPHABET (TO MOLD NO.)

82.91	82.61	81.81	85.85	54561-6401	64
77.83	77.53	76.73	80.77	54561-6001	60
65.13	64.83	64.03	68.07	54561-5001	50
52.43	52.13	51.33	55.37	54561-4001	40
44.81	44.51	43.71	47.75	54561-3401	34
39.73	39.43	38.63	42.67	54561-3001	30
34.65	34.05	33.55	37.59	54561-2601	26
27.03	26.73	25.93	29.97	54561-2001	20
21.95	21.65	20.85	24.89	54561-1601	16
19.41	19.11	18.31	22.35	54561-1401	14
14.33	14.03	13.23	17.27	54561-1001	10
D	C	B	A	MATERIAL NO.	CKT.

材料 MATERIAL	PBT , UL94V-0 (黒色) (COLOR BLACK)
仕上げ FINISH	— # —
適用電線範囲 WIRE RANGE	— # —
被覆外径 INS. RANGE	— # —

REVISED	EC NO: J2007-2853	2007/04/13
DRW: MNABEI	2007/04/13	
CHKD: YMAEDA	2007/04/13	
APPR: NUKITA	2007/04/13	
DESCRIPTION		
REV	J	

GENERAL TOLERANCES (UNLESS SPECIFIED)	
10 UNDER	± 0.2
10 OVER 30 UNDER	± 0.25
30 OVER	± 0.3
ANGULAR	± 3 °
DRAFT WHERE APPLICABLE MUST REMAIN WITHIN DIMENSIONS	

DIMENSION STYLE MM ONLY	
DRAWN BY	DATE
CHECKED BY	DATE
APPROVED BY	DATE
MATERIAL NO.	
SIZE A3	

SCALE 3:1	DESIGN UNITS METRIC	MODEL NO. 54561-**01	THIRD ANGLE PROJECTION
TITLE 2.54 FLAT CABLE CONN REC STRAIN RELIEF		MOLEX INCORPORATED	
DOCUMENT NO. SD-54561-002		SHEET NO. 1 OF 1	
THIS DRAWING CONTAINS INFORMATION THAT IS PROPRIETARY TO MOLEX INCORPORATED AND SHOULD NOT BE USED WITHOUT WRITTEN PERMISSION			