

PLEASE CHECK WWW.MOLEX.COM FOR LATEST PART INFORMATION

Part Number: [0545481033](#)
Status: **Active**
Overview: Easy-On FFC FPC Connectors
Description: 0.50mm Pitch Easy-On FFC/FPC Connector, 1.20mm Height, Right-Angle, Surface Mount, ZIF, Bottom Contact Style, 10 Circuits

Documents:

[3D Model](#) [Product Specification PS-54548-042-001 \(PDF\)](#)
[3D Model \(PDF\)](#) [Packaging Specification SPK-54548-001-001 \(PDF\)](#)
[Drawing \(PDF\)](#) [RoHS Certificate of Compliance \(PDF\)](#)

Agency Certification

UL E29179

General

Product Family FFC/FPC Connectors
 Series [54548](#)
 Comments Black Actuator
 Overview [Easy-On FFC FPC Connectors](#)
 Product Name Easy-On
 UPC 887191532653

Physical

Actuator Type Slider
 Circuits (Loaded) 10
 Color - Resin Natural (White)
 Contact Position Bottom
 Durability (mating cycles max) 20
 Mated Height 1.20mm
 Material - Metal Phosphor Bronze
 Material - Plating Mating Tin-Silver-Bismuth
 Material - Plating Termination Tin-Silver-Bismuth
 Material - Resin Liquid Crystal Polymer
 Net Weight 65.002/mg
 Number of Rows 1
 Orientation Right Angle
 PCB Locator No
 PCB Mounting Surface Mount
 PCB Retention Yes
 Packaging Type Embossed Tape on Reel
 Pitch - Mating Interface 0.50mm
 Plating min - Mating 1.016µm
 Plating min - Termination 1.016µm
 Polarized to PCB Yes
 Stackable No
 Temperature Range - Operating -20° to +85°C
 Wire/Cable Type FFC/FPC

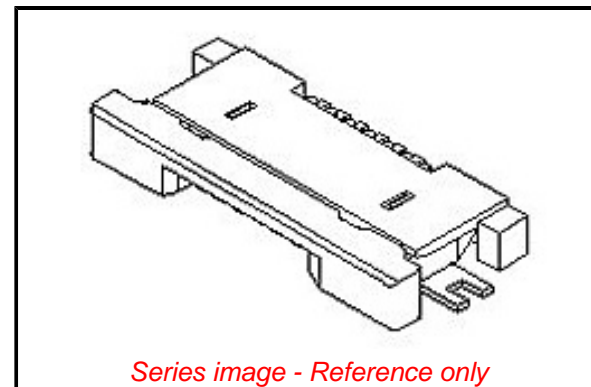
Electrical

Current - Maximum per Contact 0.5A
 Voltage - Maximum 50V

Material Info

Reference - Drawing Numbers

Packaging Specification SPK-54548-001-001
 Product Specification PS-54548-042-001
 Sales Drawing SD-54548-043-001, SD-54548-044-001



EU ELV

Not Relevant

EU RoHS

Compliant

REACH SVHC

Not Contained Per -
 D(2020)4578-DC (25
 June 2020)

Halogen-Free

Status

Not Low-Halogen

For more information, please visit [Contact US](#)

China ROHS

ELV

RoHS Phthalates

China RoHS

Green Image

Not Relevant

Not Contained

Search Parts in this Series

[54548 Series](#)

This document was generated on 09/23/2020

PLEASE CHECK WWW.MOLEX.COM FOR LATEST PART INFORMATION