

PLEASE CHECK WWW.MOLEX.COM FOR LATEST PART INFORMATION

Part Number: [54132-3262](#)
Status: **Active**
Overview: FFC-FPC (SMT)
Description: 0.50mm Pitch FFC/FPC Connector, Right Angle, SMT, ZIF, Bottom Contact Style, 32 Circuits, 0.1µm Gold (Au) Contact Plating

Documents:

3D Model	Packaging Specification SPK-52437-001 (PDF)
Drawing (PDF)	Packaging Specification SPK-54132-001 (PDF)
Product Specification PS-54132-061 (PDF)	RoHS Certificate of Compliance (PDF)

Agency Certification

UL E29179

General

Product Family	FFC/FPC Connectors
Series	54132
Overview	FFC-FPC (SMT)
Product Name	N/A
UPC	822348709045

Physical

Circuits (Loaded)	32
Color - Resin	Black, Natural
Contact Position	Bottom
Durability (mating cycles max)	20
Entry Angle	90° Angle
Flammability	94V-0
Mated Height	2.00mm
Material - Metal	Phosphor Bronze
Material - Plating Mating	Gold
Material - Plating Termination	Gold
Material - Resin	High Temperature Thermoplastic
Net Weight	373.688/mg
Number of Rows	1
Orientation	Right Angle
PCB Locator	No
PCB Retention	Yes
Packaging Type	Embossed Tape on Reel
Pitch - Mating Interface	0.50mm
Plating min - Mating	0.102µm
Plating min - Termination	0.051µm
Polarized to PCB	Yes
Stackable	No
Surface Mount Compatible (SMC)	N/A
Temperature Range - Operating	-20°C to +85°C
Termination Interface: Style	Surface Mount
Wire/Cable Type	FFC/FPC

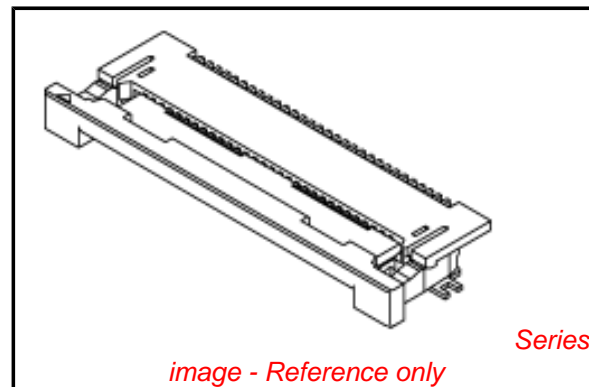
Electrical

Current - Maximum per Contact	0.5A
Voltage - Maximum	50V

Material Info

Reference - Drawing Numbers

Packaging Specification	SPK-52437-001, SPK-54132-001
-------------------------	------------------------------



EU RoHS

ELV and RoHS Compliant

REACH SVHC

Not Reviewed

Low-Halogen Status

Not Low-Halogen

China RoHS



Need more information on product environmental compliance?

Email productcompliance@molex.com
 For a multiple part number RoHS Certificate of Compliance, [click here](#)

Please visit the [Contact Us](#) section for any non-product compliance questions.

Search Parts in this Series

[54132Series](#)

Product Specification

Sales Drawing

PS-54132-061, RPS-54132-070, RPS-54132-071,
RPS-54132-072, RPS-54132-076
SD-54132-064, SD-54132-065

This document was generated on 01/28/2013

PLEASE CHECK WWW.MOLEX.COM FOR LATEST PART INFORMATION