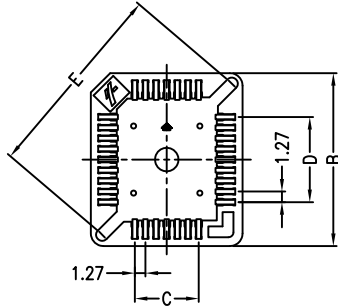
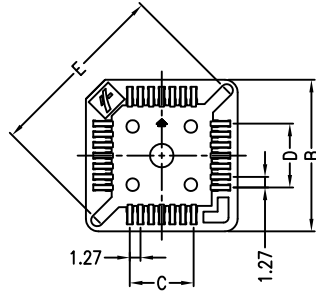


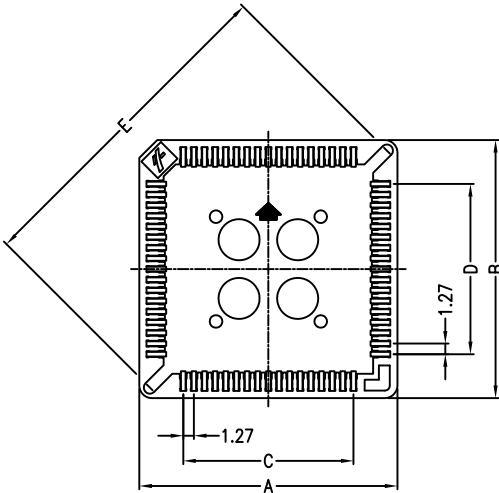
PART NUMBER  
SEE NOTE



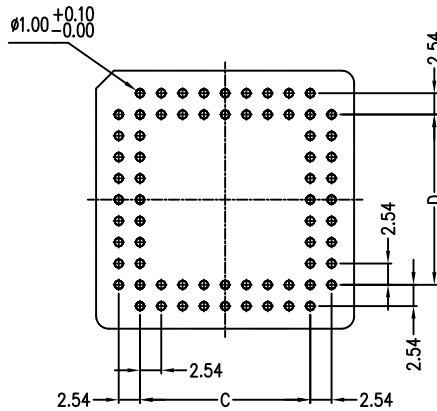
Above for 32 counts only.



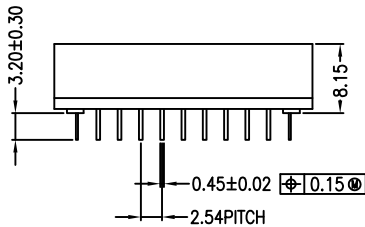
Above for 20, 28 counts.



Above for 44, 52, 68 and 84 counts.



(RECOMMENDED PCB LAYOUT)



NOTES:

- 1 MATERIAL:  
HOUSING: PPS UL94 V-0, Brown.  
CONTACT: Copper Alloy.
- 2 FINISH:  
CONTACT: 100 μm Min. Pure Tin or Tin/Lead plated on soldering end over 50 μm Min. Nickel under-plating.

3 ORDER INFORMATION:

54020-XX 0 3 0 PT

Series No. [ ] PT: Pure Tin Plated.  
BLANK: Tin/Lead Plated  
No. of Contacts: 20 28 32 44 52 68 84 Post/Packaging:  
0-Without Post/In tube package.  
Contact plated: 0-Tin alloy plated. Housing Material/Color:  
3-PPS/Brown.

4 SPECIFICATION:

- Current Rating: 1A Max.
- Voltage Rating: 250V AC Max.
- Dielectric Strength: 600V AC RMS for 1 minute.
- Contact Resistance: 20 mΩ MAX.
- Insulator Resistance: 1000MΩ min. at 500V DC.
- Temperature: -40°C to +105°C
- Durability: 25 Cycles.

5 MANUFACTURING PROCESS COMPATIBILITY

The housing will withstand exposure to 245°C solder bath temperature for 5 second in a wave solder application.

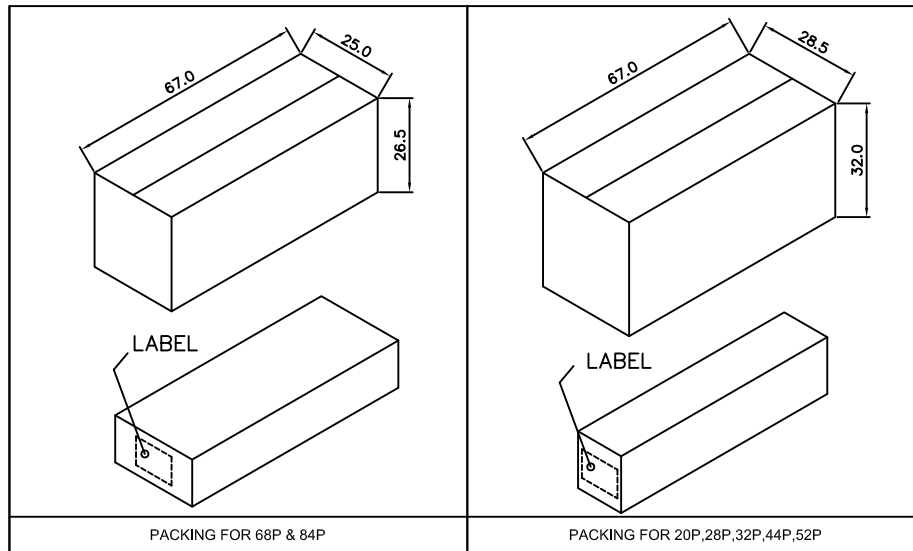
A/P PART NO.	Dimension(mm)					MCK PART NO.
	A±0.2	B±0.2	C±0.1	D±0.1	E±0.2	
54020-20030	15.56	15.56	5.08	5.08	18.20	PLCC-20P-T
54020-28030	18.10	18.10	7.62	7.62	21.80	PLCC-28P-T
54020-32030	17.80	20.20	7.62	10.16	23.85	PLCC-32P-T
54020-44030	23.18	23.18	12.70	12.70	29.00	PLCC-44P-T
54020-52030	26.90	26.90	15.24	15.24	33.00	PLCC-52P-T
54020-68030	30.88	30.88	20.32	20.32	40.00	PLCC-68P-T-2
54020-84030	35.98	35.98	25.40	25.40	47.15	PLCC-84P-T-2

mat'l. code				tolerances unless otherwise specified			CUSTOMER COPY		FCI	
ltr	ecn no	dr	date	linear	.X ± 0.38	projection	www.fciconnect.com			
A	T00386	J.H	3/16/00		.XX ± 0.25		title			
B	T10136	J.H	5/21/01	angles	.XXX ± 0.20		PLCC DIP SOCKET PLCC-XXP-T			
C	T03-0440	J.C	10/03/03		0° ± 2°		product family		code	
D	T05-0017	W.L	01/24/05	dr	JASON HSU 3/16/00		PLCC		TWN	
E	T05-0114	W.L	05/09/05	enrg	JASON HSU 3/16/00	size		dwg no		
F	T05-0212	W.L	09/21/05	chr	J. TSAO 3/16/00	scale		sheet		
G	T10-0010	J.H	1/25/10	appd	L. WANG 3/16/00	1:1		1 of 2		
sheet	revision	G	G							
index	sheet	1	2							

Tous droits strictement reserves. Reproduction ou communication a des tiers interdite sous quelque forme que ce soit sans autorisation ecrite du proprietaire. Propriete de c FCI. Droits de reproduction FCI.



All rights strictly reserved. Reproduction or issue to third parties in any form whatever is not permitted without written authority from the proprietor. Property of FCI. Copyright FCI.



DIP PLCC PACKING LIST FOR TUBE=612mm							
CONTACTS	PCS/TUBE	TUBE/INNER BOX	PCS/ INNER BOX	INNER BOX / OUTER BOX	PCS/ OUTER BOX	N.W.(KGS)	G.W.(KGS)
20P	37	49	1813	4	7252	19.0	20.0
28P	32	42	1344	4	5376	19.5	20.5
32P	28	42	1176	4	4704	19.5	20.5
44P	25	35	875	4	3500	20.0	21.0
52P	21	32	672	4	2688	18.5	19.5
68P	18	42	756	2	1512	16.0	17.0
84P	16	39	624	2	1248	17.0	18.0

mat'l. code				tolerances unless otherwise specified			CUSTOMER COPY		 www.fciconnect.com		
ltr	ecn no	dr	date	linear	.X ± 0.38		projection	 title PLCC DIP SOCKET PLCC-XXP-T			
G					.XX ± 0.25						
					.XXX ± 0.20						
				angles	0° ± 2°		 MM	product family PLCC		code	
				dr	JASON HSU	3/16/00		size dwg no		TWN	
				enr	JASON HSU	3/16/00		scale	A4		sheet
				chr	J. TSAO	3/16/00			1:1	54020	
				appd	L. WANG	3/16/00					
sheet index	revision sheet										