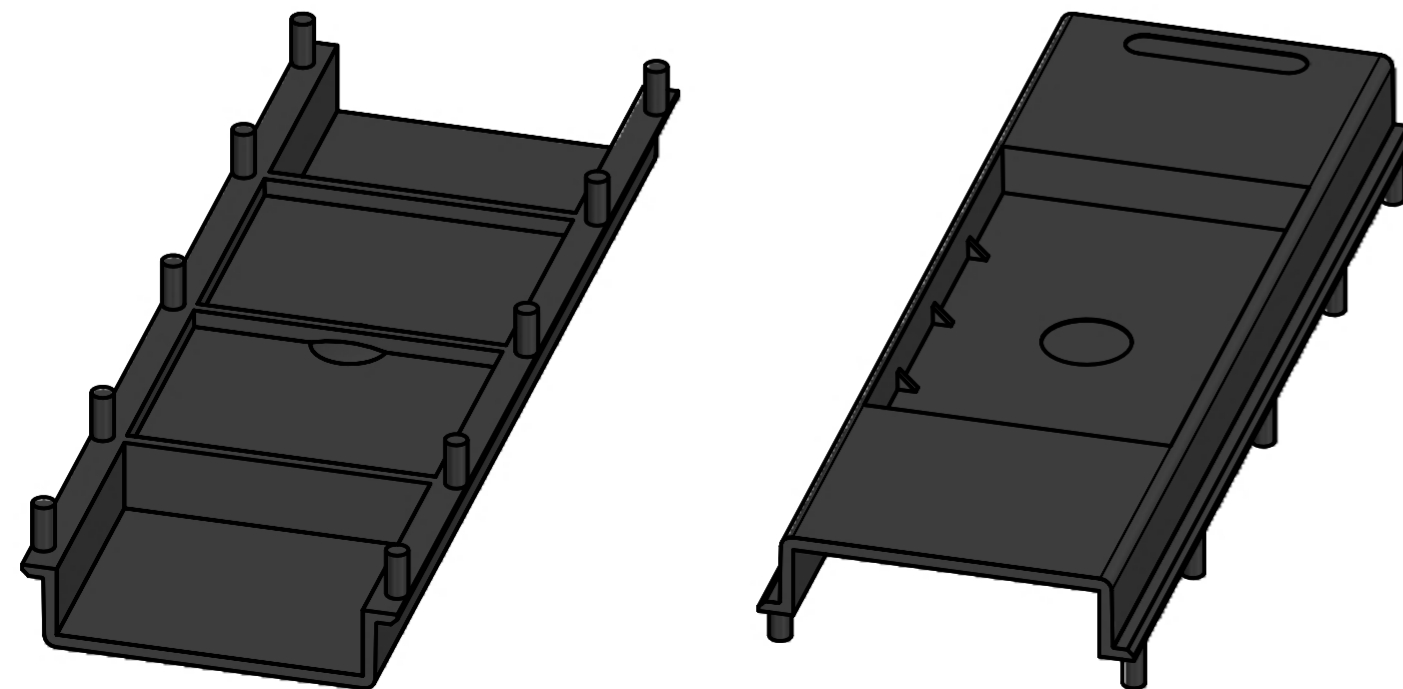
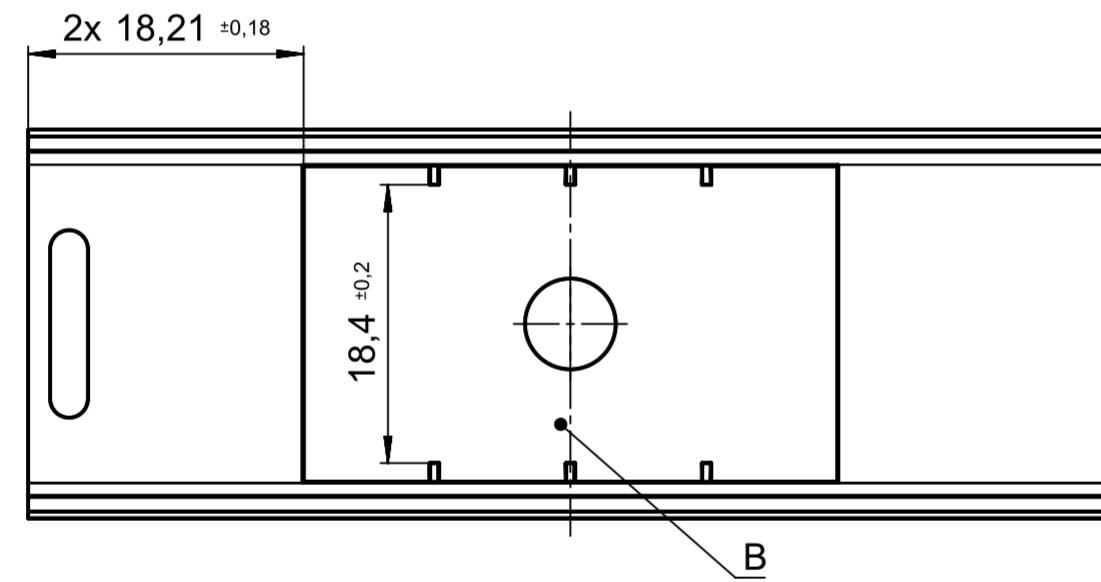
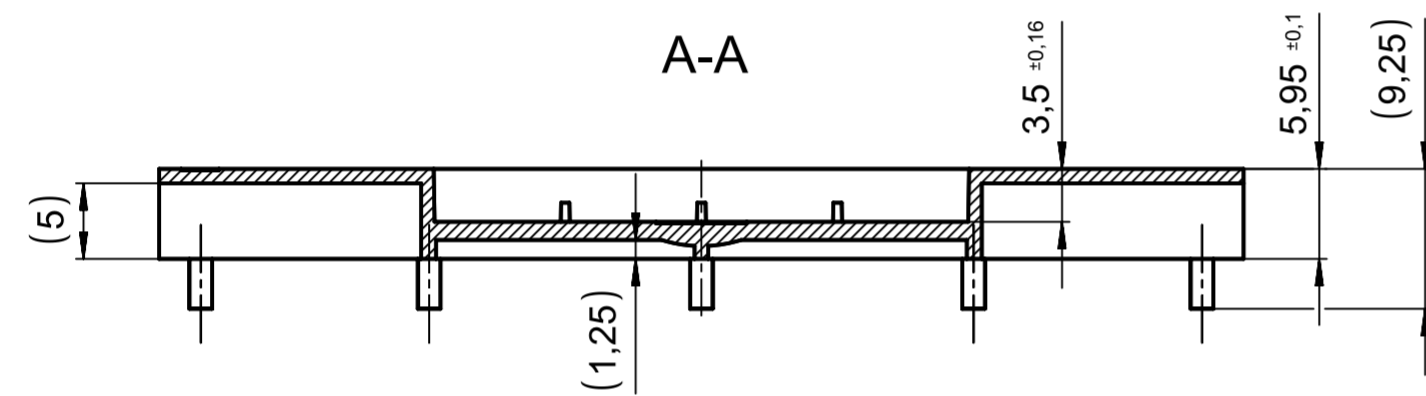
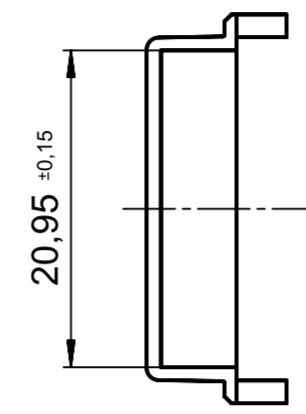
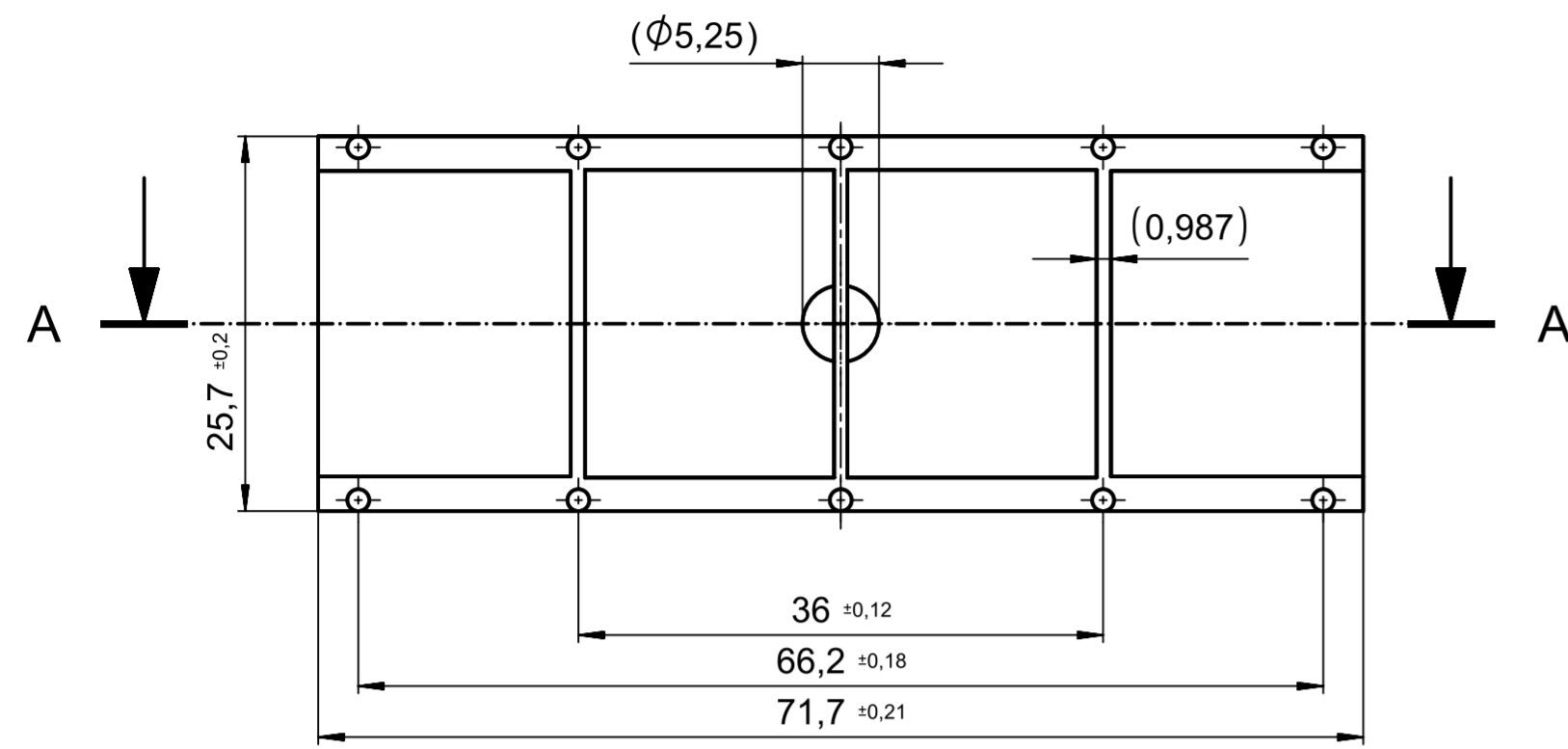
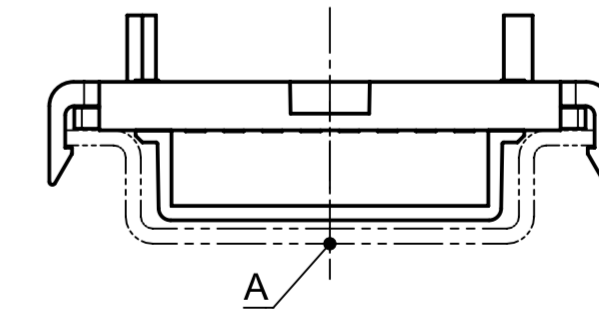
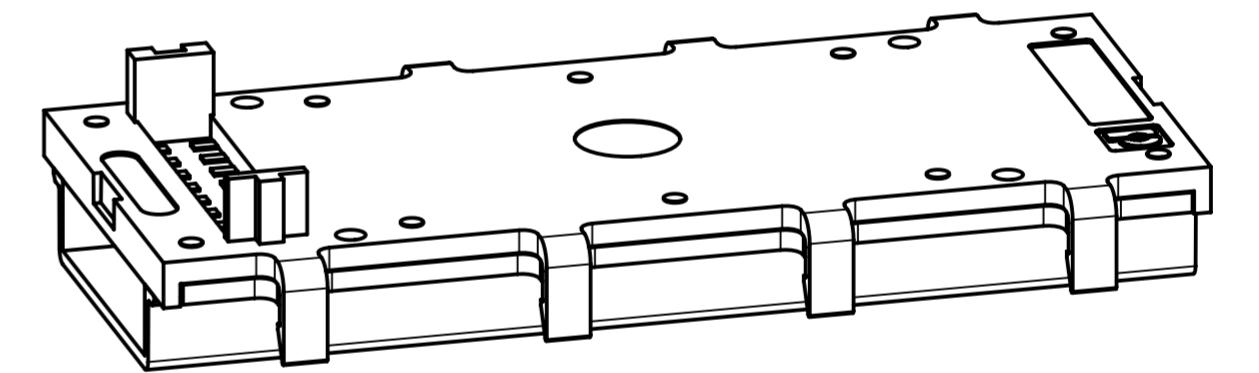
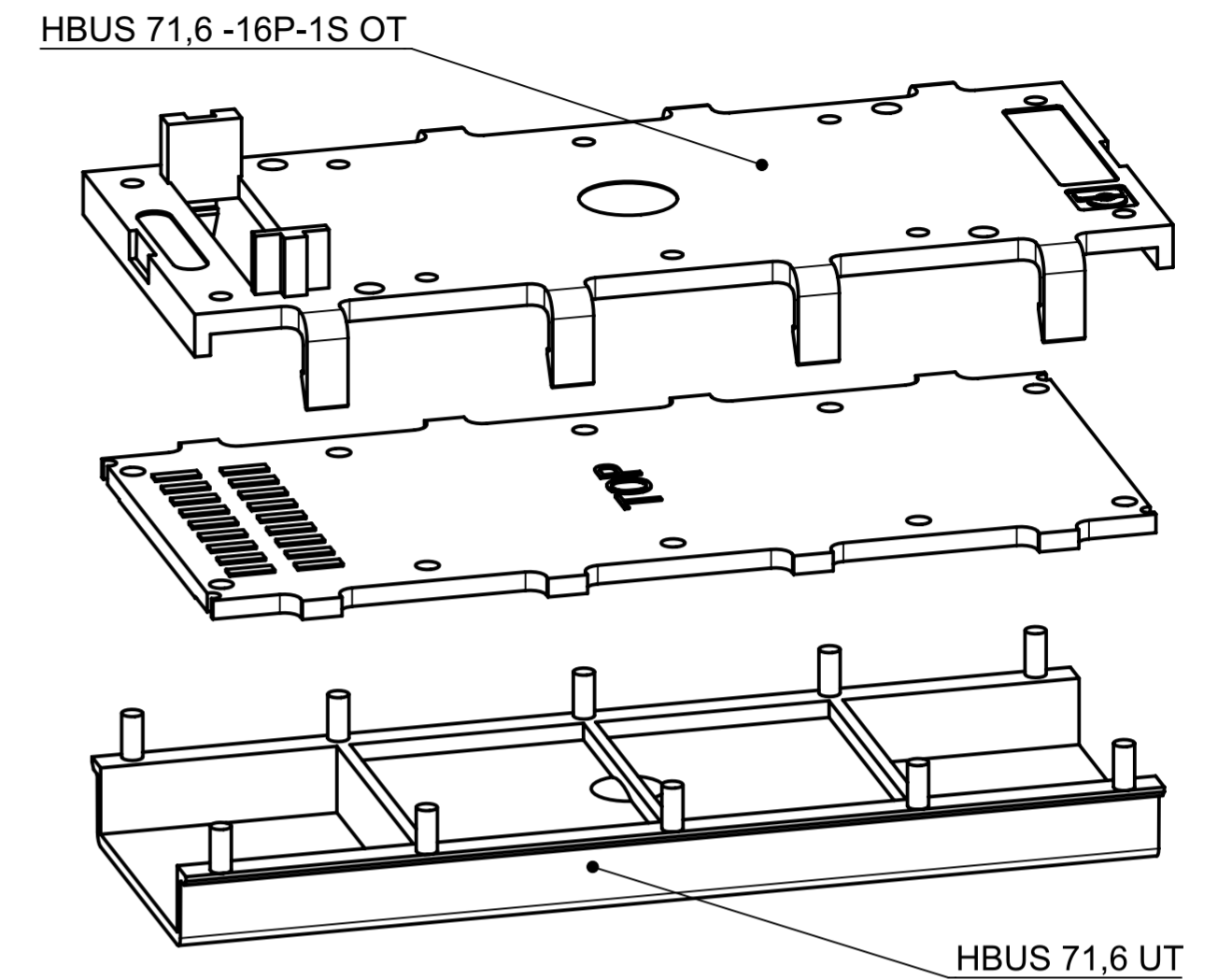


HBUS LOWER PART



Assembly example: HBUS 71,6 16P-1S OT HBUS 71,6 UT



General Information:

- Tolerances apply in a normal climate according to DIN EN ISO 291-23/50-2, PA plastic parts with about 2% (% by weight) moisture content.
- Tolerances for mechanical processing are ISO 2768-mK
- Tolerances for printing DIN ISO 2768-m
- Web: www.phoenixcontact.com

Additional Information:

- A) Mounting rail like EN 60715, TH 35-7,5 or mounting rail similar to EN 60715, TH 35-15x1,5
- B) Free space for the mounting a screw head in the TH rail

	document-no. / ri	article-no.	scale	- Simplified representation - Document excluded from change process - Linear dimensions (mm)
	102810186 / 00	1012027 / 01	2:1	
	date	document-type		
	2025-08-26	TECDOC 2D-Productdrawing		
description				
HBUS 71,6 UT BK				
page 1 of 1				

Transfer or duplication of this document as well as the utilisation or communication of its content are not permitted unless express consent is granted. Violations give rise to claims for damages. All rights reserved in case of patent, utility model or design patent registrations. Tolerance specifications do not include clearances inherent in the design.

Weitergabe sowie Vervielfältigung dieses Dokuments, Verwertung und Mitteilung seines Inhalts sind verboten, soweit nicht ausdrücklich gestattet. Zuwiderhandlungen verpflichten zu Schadenersatz. Alle Rechte für den Fall der Patent-, Gebrauchsmuster- oder Designeintragung vorbehalten. Bauartbedingtes Spiel ist in den Toleranzangaben nicht berücksichtigt.