

PLEASE CHECK WWW.MOLEX.COM FOR LATEST PART INFORMATION

Part Number: [53988-0619](#)
Status: **Active**
Description: 2.00mm Pitch Serial I/O Connector, Receptacle, Wire-to-Wire, Solder Type, 6 Circuits, Lead-Free

Documents:

[Drawing \(PDF\)](#) [RoHS Certificate of Compliance \(PDF\)](#)
[Product Specification PS-54280-005 \(PDF\)](#)

General

Product Family	I/O Connectors
Series	53988
Application	Wire-to-Wire
Component Type	Receptacle
Product Name	N/A
Type	N/A
UPC	822348190812

Physical

Circuits (Loaded)	6
Circuits (maximum)	6
Color - Resin	Black
Lock to Mating Part	Yes
Material - Metal	Phosphor Bronze
Material - Plating Mating	Gold
Material - Plating Termination	Tin
Material - Resin	High Temperature Thermoplastic
Net Weight	2649.366/mg
Number of Rows	2
Orientation	Vertical
PCB Retention	N/A
Packaging Type	Bag
Panel Mount	No
Pitch - Mating Interface	2.00mm
Plating min - Mating	0.762µm
Plating min - Termination	3.048µm
Polarized to Mating Part	Yes
Ports	1
Temperature Range - Operating	-40°C to +85°C
Termination Interface: Style	N/A
Wire Insulation Diameter	2.10mm max.
Wire Size AWG	16

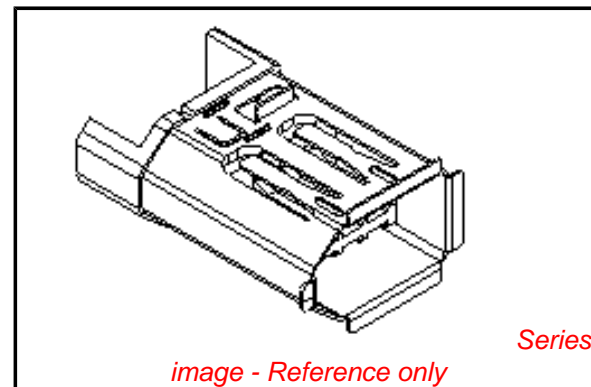
Electrical

Current - Maximum per Contact	2A
Shielded	Yes
Voltage - Maximum	125V

Material Info

Reference - Drawing Numbers

Product Specification	PS-54280-005
Sales Drawing	SD-53988-001



EU RoHS

ELV and RoHS Compliant
REACH SVHC Contains SVHC: No
Low-Halogen Status Not Low-Halogen

China RoHS



Need more information on product environmental compliance?

Email productcompliance@molex.com
 For a multiple part number RoHS Certificate of Compliance, [click here](#)

Please visit the [Contact Us](#) section for any non-product compliance questions.

Search Parts in this Series

[53988Series](#)

Mates With

[54180 Plug](#), [55100 Plug Kit](#)

Use With

[58302 Shell Cover](#)

PLEASE CHECK WWW.MOLEX.COM FOR LATEST PART INFORMATION