

10 9 8 7 6 5 4 3 2 1

F

E

D

C

B

A

F

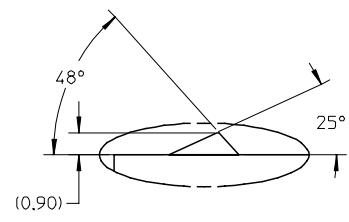
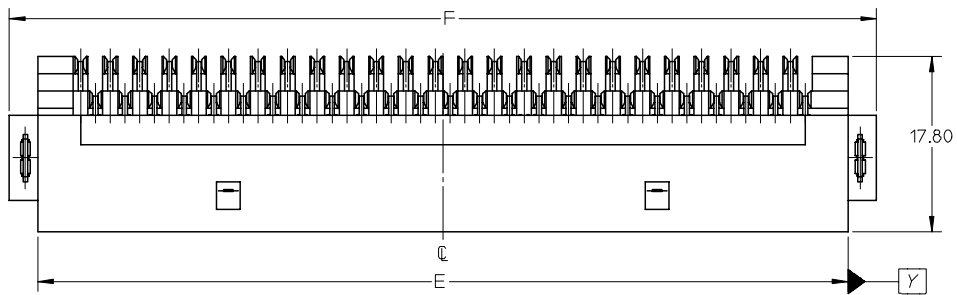
E

D

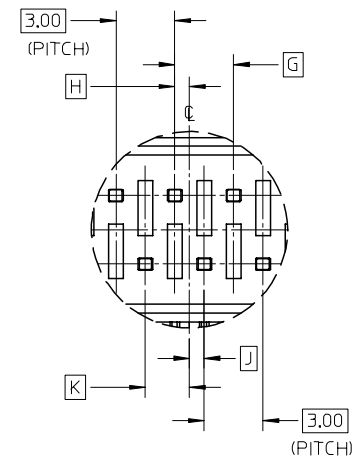
C

B

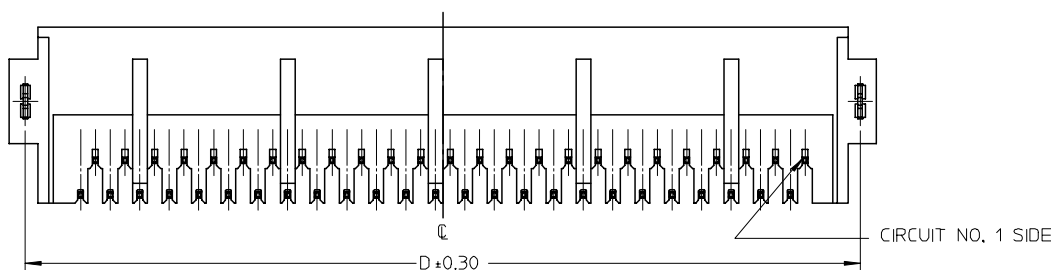
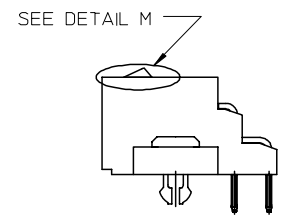
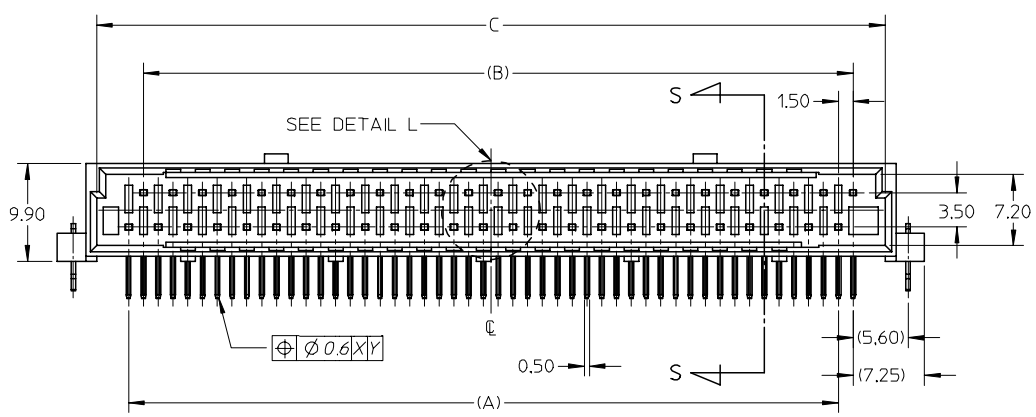
A



DETAIL M



DETAIL L



EC NO: S2005-0793 DRAWN: ATSEE 2005/04/12 CHKD: KCLING 2005/04/14 APPR: SKTOH 2005/04/15	QUALITY SYMBOLS ▽=0 ▽=0	GENERAL TOLERANCES (UNLESS SPECIFIED)		DIMENSION STYLE MM ONLY		SCALE NTS	DESIGN UNITS METRIC	THIRD ANGLE PROJECTION			
		4 PLACES ± --- ± ---	3 PLACES ± --- ± ---	2 PLACES ± 0.25 ± ---	1 PLACE ± 0.2 ± ---	ANGULAR ± 3 °	DRAWN BY MFUJIKURA	DATE 1995/02/06	TITLE SALES DRAWING 3.00MM B-T-B CONN HEADER (FRICTION LOCK TYPE)		
		DRAFT WHERE APPLICABLE MUST REMAIN WITHIN DIMENSIONS					CHECKED BY MSETO	DATE 1995/05/08	MOLEX INCORPORATED		
		SIZE A3					APPROVED BY MFUKUSHIMA	DATE 1995/05/08	DOCUMENT NO. SD-53658-**15	SHEET NO. 1 OF 3	

9 8 7 6 5 4 3 2 1

10 9 8 7 6 5 4 3 2 1

F

F

E

E

D

D

C

C

B

B

A

A

K	J	H	G	F	E	D	C	(B)	(A)	ENG. NO.	CKT.
0.75	2.25	2.25	0.75	118.0	112.2	114.7	110.0	102	102	53658-70**	70
1.5	1.5	0	0	110.5	104.7	107.2	102.5	96	93	-65**	65
2.25	0.75	0.75	2.25	103.0	97.2	99.7	95.0	87	87	-60**	60
0	0	1.5	1.5	95.5	89.7	92.2	87.5	81	78	-55**	55
0.75	2.25	2.25	0.75	88.0	82.2	84.7	80.0	72	72	-50**	50
1.5	1.5	0	0	80.5	74.7	77.2	72.5	66	63	-45**	45
2.25	0.75	0.75	2.25	73.0	67.2	69.7	65.0	57	57	-40**	40
0	0	1.5	1.5	65.5	59.7	62.2	57.5	51	48	-35**	35
0.75	2.25	2.25	0.75	58.0	52.2	54.7	50.0	42	42	-30**	30
1.5	1.5	0	0	50.5	44.7	47.2	42.5	36	33	-25**	25
2.25	0.75	0.75	2.25	43.0	37.2	39.7	35.0	27	27	53658-20**	20

EC NO: S2005-0793 DRAWN:ATSEE 2005/04/12 CHKD:KCLING 2005/04/14 APPR:SKTOH 2005/04/15 A1	QUALITY SYMBOLS ▽=0 ▽=0	GENERAL TOLERANCES (UNLESS SPECIFIED)		DIMENSION STYLE MM ONLY		SCALE NTS	DESIGN UNITS METRIC	THIRD ANGLE PROJECTION		
		4 PLACES ± --- ± ---	mm INCH	DRAWN BY MFUJIKURA	DATE 1995/02/06	TITLE SALES DRAWING 3.00MM B-T-B CONN HEADER (FRICTION LOCK TYPE)				
		3 PLACES ± --- ± ---	2 PLACES ± 0.25 ± ---	CHECKED BY MSETO	DATE 1995/05/08					
		1 PLACE ± 0.2 ± ---	ANGULAR ± 3 °	APPROVED BY MFUKUSHIMA	DATE 1995/05/08	MOLEX INCORPORATED				
DRAFT WHERE APPLICABLE MUST REMAIN WITHIN DIMENSIONS		SEE TABLE	MATERIAL NO.	DOCUMENT NO. SD-53658-**15	SHEET NO. 2 OF 3					

9 8 7 6 5 4 3 2 1

10 9 8 7 6 5 4 3 2 1

F

E

D

C

B

A

F

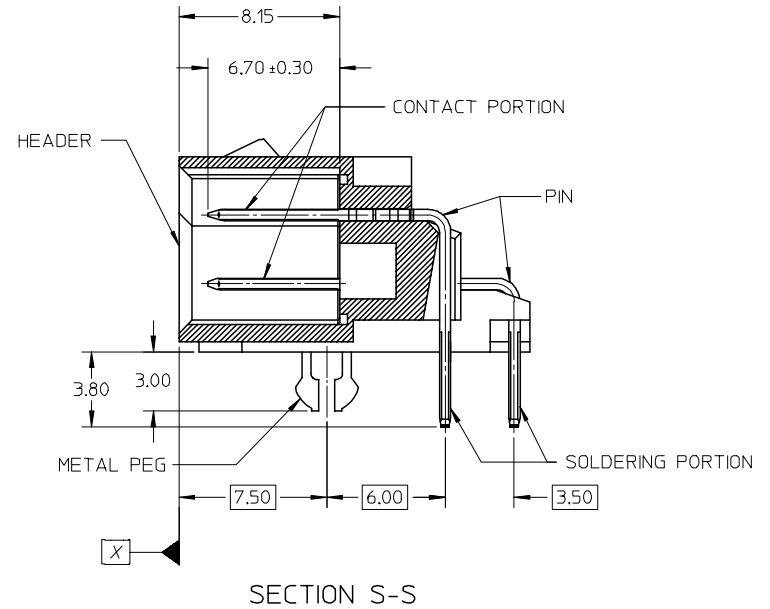
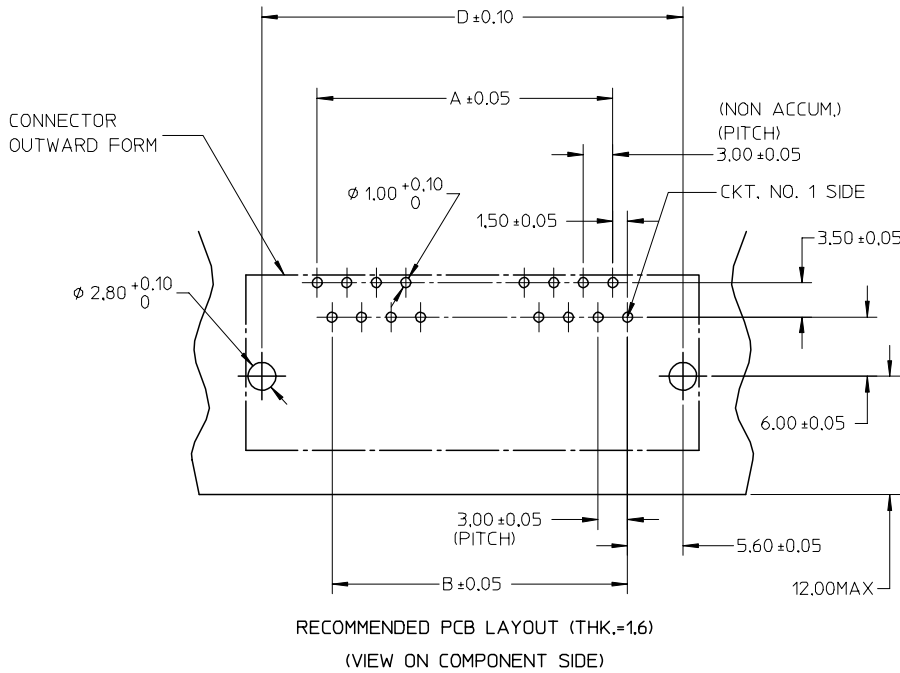
E

D

C

B

A



NOTES

1 MATERIAL AND PLATING

- HEADER : GLASS FILLED P.B.T. (GRAY), UL94V-0
- PIN : BRASS (T=0.58)
- PLATING : CONTACT PORTION: GOLD PLATING (UNDER NICKEL PLATING)
- SOLDERING PORTION: TIN PLATING (UNDER NICKEL PLATING)
- METAL PEG: PHOSPHOR BRONZE (T=0.48), TIN OR TIN LEAD OVER COPPER PLATING

2 MATE WITH: 52872 SERIES

3 ENGINEERING NUMBER 53658-70**

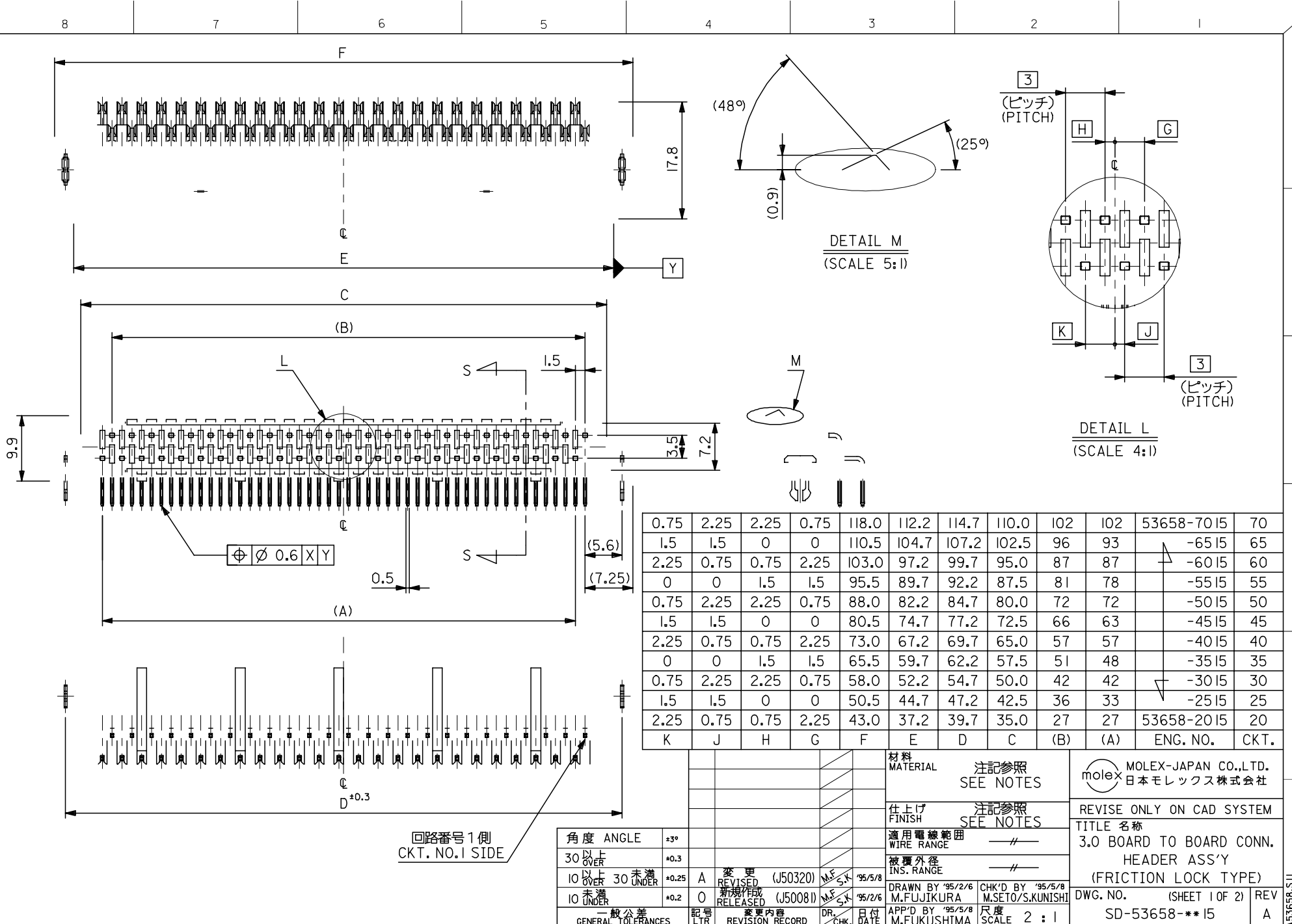
- CIRCUIT SIZES
- 15 TIN LEAD PLATING
- 18 TIN PLATING

EC NO: S2005-0793 DRAWN: ATSEE 2005/04/12 CHKD: KCLING 2005/04/14 APPR: SKTOH 2005/04/15	QUALITY SYMBOLS ▽=0 ▽=0	GENERAL TOLERANCES (UNLESS SPECIFIED)		DIMENSION STYLE MM ONLY	SCALE NTS	DESIGN UNITS METRIC	THIRD ANGLE PROJECTION	
		4 PLACES ± --- ± --- 3 PLACES ± --- ± --- 2 PLACES ± 0.25 ± --- 1 PLACE ± 0.2 ± --- ANGULAR ± 3°	mm INCH	DRAWN BY MFUJIKURA	DATE 1995/02/06	TITLE SALES DRAWING 3.00MM B-T-B CONN HEADER (FRICTION LOCK TYPE)		MOLEX INCORPORATED
A1	REV	DRAFT WHERE APPLICABLE MUST REMAIN WITHIN DIMENSIONS		CHECKED BY MSETO	DATE 1995/05/08	APPROVED BY MFUKUSHIMA		DATE 1995/05/08
		SIZE A3	SEE TABLE		MATERIAL NO.	DOCUMENT NO. SD-53658-**15	SHEET NO. 3 OF 3	

9 8 7 6 5 4 3 2 1

DWG. NO. SD-53658-***15

ALL DIMENSIONS IN METRIC DO NOT SCALE DRAWING



0.75	2.25	2.25	0.75	118.0	112.2	114.7	110.0	102	102	53658-7015	70
1.5	1.5	0	0	110.5	104.7	107.2	102.5	96	93	-6515	65
2.25	0.75	0.75	2.25	103.0	97.2	99.7	95.0	87	87	-6015	60
0	0	1.5	1.5	95.5	89.7	92.2	87.5	81	78	-5515	55
0.75	2.25	2.25	0.75	88.0	82.2	84.7	80.0	72	72	-5015	50
1.5	1.5	0	0	80.5	74.7	77.2	72.5	66	63	-4515	45
2.25	0.75	0.75	2.25	73.0	67.2	69.7	65.0	57	57	-4015	40
0	0	1.5	1.5	65.5	59.7	62.2	57.5	51	48	-3515	35
0.75	2.25	2.25	0.75	58.0	52.2	54.7	50.0	42	42	-3015	30
1.5	1.5	0	0	50.5	44.7	47.2	42.5	36	33	-2515	25
2.25	0.75	0.75	2.25	43.0	37.2	39.7	35.0	27	27	53658-2015	20
K	J	H	G	F	E	D	C	(B)	(A)	ENG. NO.	CKT.

角度 ANGLE	±3°
30 以上 OVER	±0.3
10 以上 30 未満 UNDER	±0.25
10 未満 UNDER	±0.2
一般公差 GENERAL TOLERANCES	

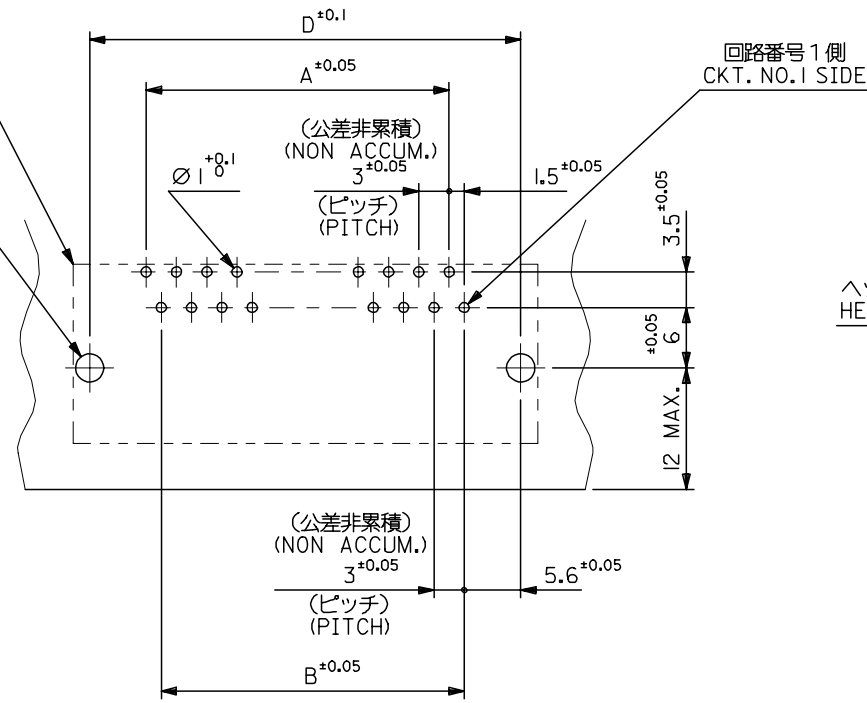
材料 MATERIAL	注記参照 SEE NOTES
仕上げ FINISH	注記参照 SEE NOTES
適用電線範囲 WIRE RANGE	—#—
被覆外径 INS. RANGE	—#—
DRAWN BY '95/2/6 M.FUJIKURA	CHK'D BY '95/5/8 M.SETO/S.KUNISHI
APP'D BY '95/5/8 M.FUKUSHIMA	尺度 SCALE 2:1

MOLEX-JAPAN CO.,LTD. 日本モレックス株式会社	
REVISE ONLY ON CAD SYSTEM	
TITLE 名称 3.0 BOARD TO BOARD CONN. HEADER ASS'Y (FRICTION LOCK TYPE)	
DWG. NO. (SHEET 1 OF 2)	REV A
SD-53658-***15	

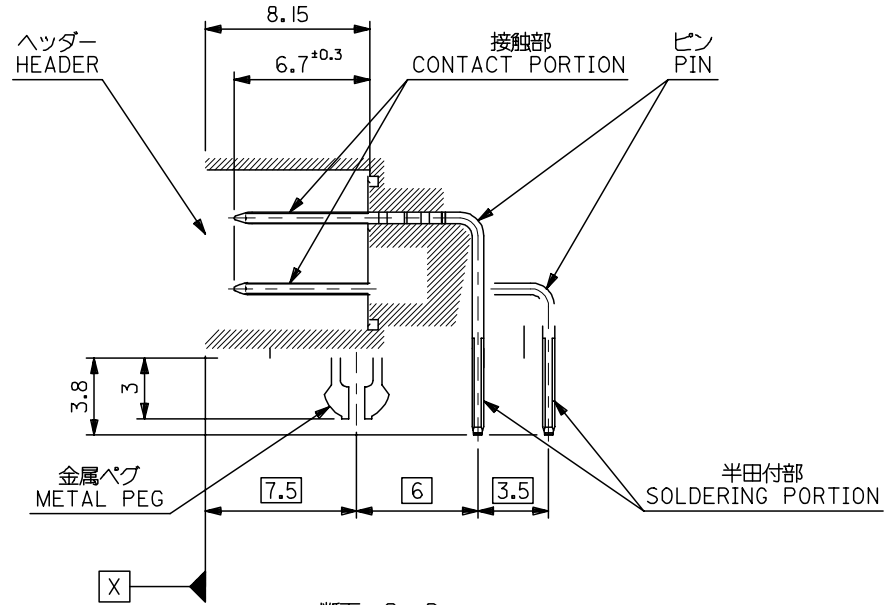
回路番号 1 側
CKT. NO. 1 SIDE

DWG. 10. SD-53658-***15
 DIMENSIONS IN METRIC DO NOT SCALE DRAWING

コネクタ外形
CONNECTOR
OUTWARD FORM



基板穴推奨寸法 (基板厚: t=1.6)
RECOMMENDED P.C.B. LAYOUT (THK.=1.6)
(部品実装側)
(VIEW ON COMPONENT SIDE)



断面 S-S
SECT. S-S
(SCALE : 4-1)

注記
NOTES

- 材質及びメッキ
MATERIAL AND PLATING
ヘッダー: ガラス入り P. B. T. (灰色)、UL94V-0
HEADER : GLASS FILLED P.B.T. (GRAY), UL94V-0
ピン: 黄銅 (t=0.58)
PIN : BRASS (t=0.58)
メッキ: 接触部; 金メッキ (ニッケル下地)、半田付部; 錫メッキ (ニッケル下地)
PLATING : CONTACT PORTION ; GOLD PLATING (UNDER NICKEL PLATING)
SOLDERING PORTION ; TIN PLATING (UNDER NICKEL PLATING)
金属ペグ: 燐青銅 (t=0.48)、銅下地半田メッキ
METAL PEG : PHOSPHOR BRONZE (t=0.48),
TIN-LEAD OVER COPPER PLATING
- 嵌合相手: 52872 シリーズ
MATE WITH : 52872 SERIES

角度 ANGLE	±3°						
30 以上 OVER	+0.3						
10 以上 30 未満 OVER UNDER	+0.25	A	変更 (J50320)	新規作成 (J50081)	M.F.	'95/5/8	
10 未満 UNDER	+0.2	0			M.F.	'95/2/6	
一般公差 GENERAL TOLERANCES		記号 LTR	変更内容 REVISION RECORD	DR. CHK.	日付 DATE		

材料 MATERIAL	注記参照 SEE NOTES	MOLEX JAPAN CO., LTD. 日本モレックス株式会社
仕上げ FINISH	注記参照 SEE NOTES	
適用電線範囲 WIRE RANGE	—#—	REVISE ONLY ON CAD SYSTEM
被覆外径 INS. RANGE	—#—	TITLE 名称 3.0 BOARD TO BOARD CONN. HEADER ASS'Y (FRICTION LOCK TYPE)
DRAWN BY '95/2/6 M.FUJIKURA	CHK'D BY '95/5/8 M.SETO/S.KUNISHI	DWG. NO. (SHEET 2 OF 2) REV SD-53658-***15 A
APP'D BY '95/5/8 M.FUKUSHIMA	尺度 SCALE 2 : 1	