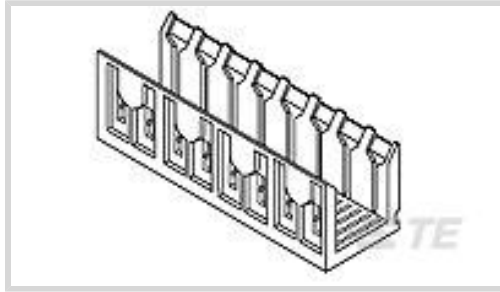




Connectors > PCB Connectors > Backplane Connectors > Backplane Connector Housings



Connector System: **Board-to-Board**

Number of Positions: **96**

Centerline (Pitch): **2 mm [.078 in]**

Mating Alignment: **With**

Mating Alignment Type: **Polarization**

## Features

### Product Type Features

Connector System	Board-to-Board
Connector & Housing Type	Plug
Sealable	No
Connector & Contact Terminates To	Printed Circuit Board

### Configuration Features

PCB Mount Orientation	Vertical
Number of Positions	96
Number of Rows	4
Number of Columns	24

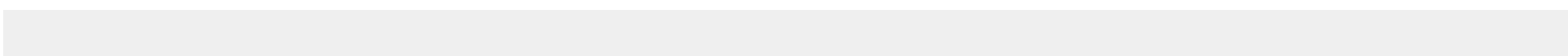
### Mechanical Attachment

Mating Alignment	With
Mating Alignment Type	Polarization
Connector Mounting Type	Board Mount

### Housing Features

Housing Material	LCP
Housing Color	Natural
Centerline (Pitch)	2 mm [.078 in]

### Dimensions





Connector Length	47.88 mm[1.88 in]
Connector Height	17.1 mm[.673 in]
Row-to-Row Spacing	2 mm[.078 in]

### Usage Conditions

Operating Temperature Range	-55 – 125 °C[-67 – 257 °F]
-----------------------------	----------------------------

### Operation/Application

Circuit Application	Signal
---------------------	--------

### Packaging Features

Packaging Method	Tube
------------------	------

## Product Compliance

[For compliance documentation, visit the product page on TE.com>](#)

EU RoHS Directive 2011/65/EU	Compliant
EU ELV Directive 2000/53/EC	Compliant
China RoHS 2 Directive MIIT Order No 32, 2016	No Restricted Materials Above Threshold
EU REACH Regulation (EC) No. 1907/2006	Current ECHA Candidate List: JUN 2020 (209) Candidate List Declared Against: JUN 2020 (209) Does not contain REACH SVHC
Halogen Content	BFR/CFR/PVC Free, but Br/Cl >900 ppm in other sources.
Solder Process Capability	Pin-in-Paste capable to 260°C

#### Product Compliance Disclaimer

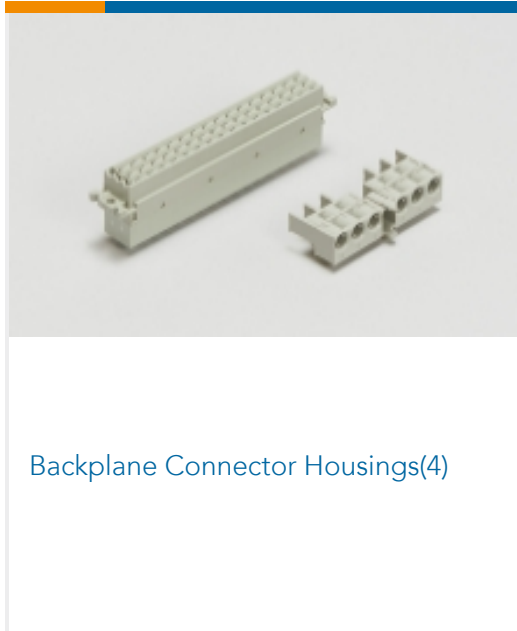
This information is provided based on reasonable inquiry of our suppliers and represents our current actual knowledge based on the information they provided. This information is subject to change. The part numbers that TE has identified as EU RoHS compliant have a maximum concentration of 0.1% by weight in homogenous materials for lead, hexavalent chromium, mercury, PBB, PBDE, DBP, BBP, DEHP, DIBP, and 0.01% for cadmium, or qualify for an exemption to these limits as defined in the Annexes of Directive 2011/65/EU (RoHS2). Finished electrical and electronic equipment products will be CE marked as required by Directive 2011/65/EU. Components may not be CE marked. Additionally, the part numbers that TE has identified as EU ELV compliant have a maximum concentration of 0.1% by weight in homogenous materials for lead, hexavalent chromium, and mercury, and 0.01% for cadmium, or qualify for an exemption to these limits as defined in the Annexes of Directive 2000/53/EC (ELV). Regarding the REACH Regulation, the information TE provides on SVHC in articles for this part number is based on the latest European Chemicals Agency (ECHA) 'Guidance on requirements for substances in articles' posted at this URL: <https://echa.europa.eu/guidance-documents/guidance-on-reach>

## Compatible Parts

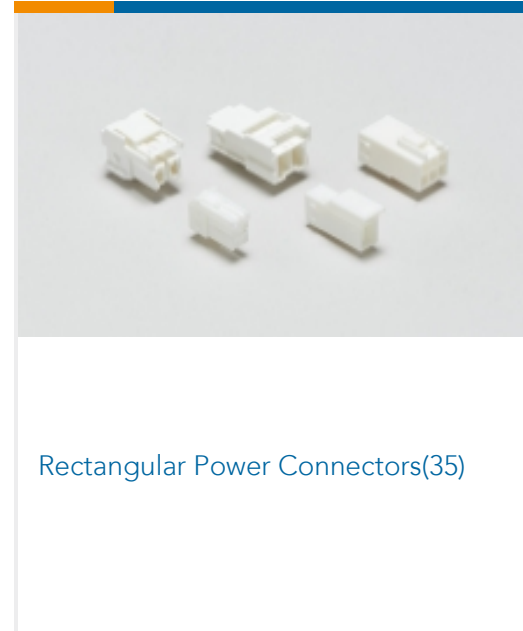


TE Model / Part # 536510-3  
2MM FB,ASY,096,SIG,REC,SL,3.53

## Also in the Series | Z-PACK Future Bus+



Backplane Connector Housings(4)



Rectangular Power Connectors(35)

## Customers Also Bought



TE Model / Part #1625892-4  
3W SM M/OX 5% R33



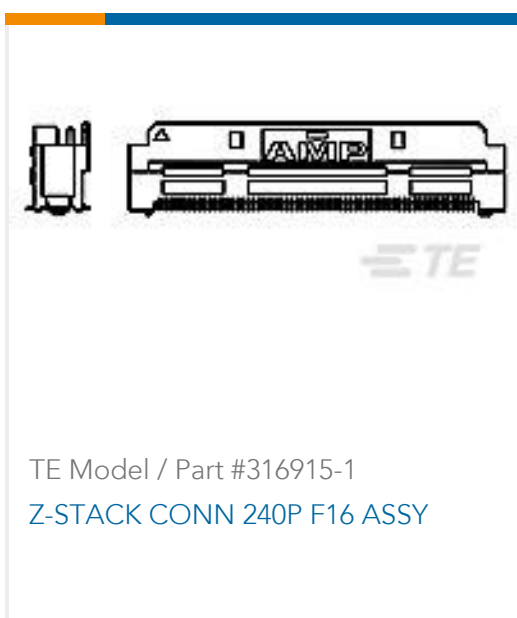
TE Model / Part #3-1879351-6  
RR01 5% 82K AMMO



TE Model / Part #1622854-1  
CRG0603 1% 15R



TE Model / Part #1623749-3  
ER17 15R 5% LOOSE



TE Model / Part #316915-1  
Z-STACK CONN 240P F16 ASSY



TE Model / Part #316918-1  
Z-STACK CONN. 240P F8 ASS'Y



TE Model / Part #917897-1  
2.5 S.D.L STD V 5P HDR ON/TAPE



TE Model / Part #1546097-3  
5.08 HORIZ HDR CLOSEDEND 3 POS



TE Model / Part #6-1375549-9  
20 MTE VERT SMT HDR FULL LF-PB



TE Model / Part #1623054-1  
CRG0603 5% 2M2



## Documents

### Product Drawings

[2MMFB,SHRD,096,SIG,HDR](#)

English

---

### CAD Files

[3D PDF](#)

3D

Customer View Model

[ENG\\_CVM\\_CVM\\_536565-3\\_T.2d\\_dxf.zip](#)

English

Customer View Model

[ENG\\_CVM\\_CVM\\_536565-3\\_T.3d\\_igs.zip](#)

English

Customer View Model

[ENG\\_CVM\\_CVM\\_536565-3\\_T.3d\\_stp.zip](#)

English

By downloading the CAD file I accept and agree to the [Terms and Conditions](#) of use.

---

### Agency Approvals

[UL Report](#)

English