

5352639-1 ✓ ACTIVE

Z-PACK | Z-PACK 2mm HM

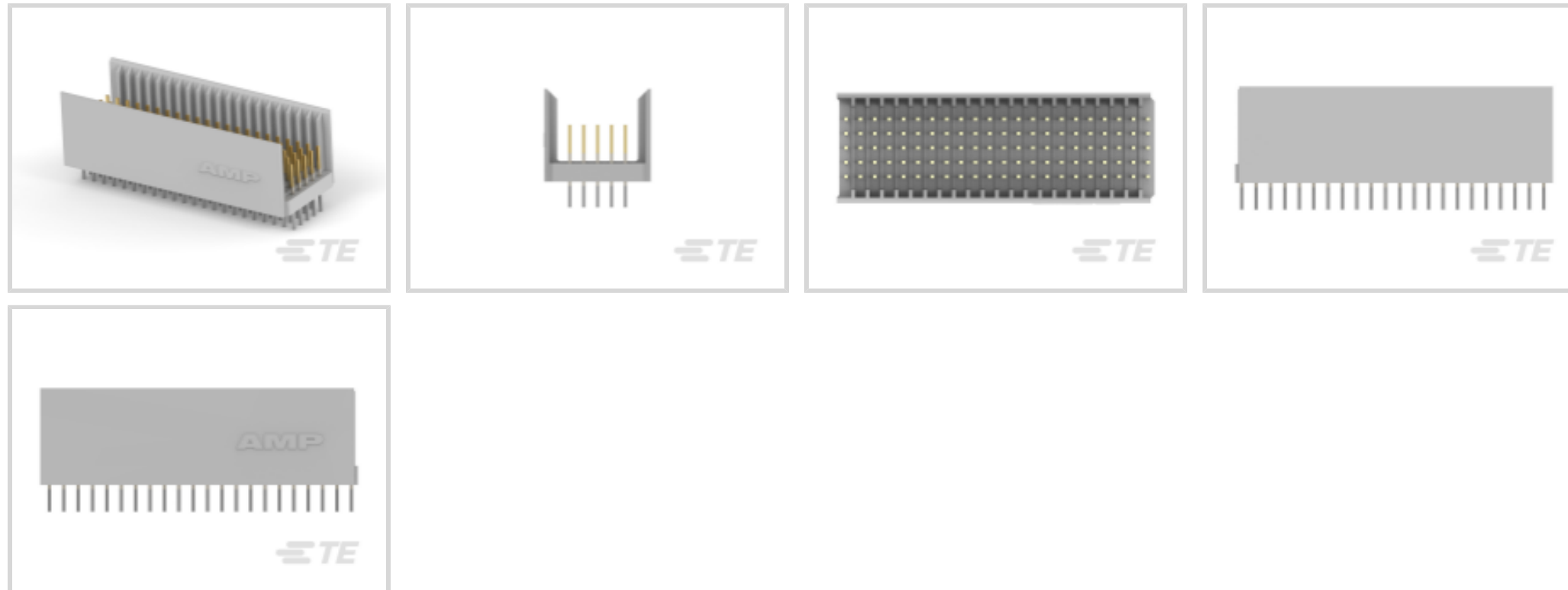
TE Internal #: 5352639-1

Z-PACK 2mm HM, Hard Metric Backplane Connectors, PCB Mount Header, ≤ 1 Gb/s, 25 Column, 5 Row, Board-to-Board, 110 Position, 2mm Centerline, Vertical

[View on TE.com >](#)



Connectors > PCB Connectors > Backplane Connectors > Hard Metric Connectors



PCB Connector Assembly Type: **PCB Mount Header**

Data Rate: ≤ 1 Gb/s

Number of Columns: **25**

Number of Rows: **5**

Connector System: **Board-to-Board**

Features

Product Type Features

PCB Connector Assembly Type	PCB Mount Header
Connector System	Board-to-Board
Sealable	No
Connector & Contact Terminates To	Printed Circuit Board

Configuration Features

Number of Columns	25
Number of Rows	5
Number of Positions	110
PCB Mount Orientation	Vertical

Signal Characteristics

Data Rate	≤ 1 Gb/s
-----------	---------------

Contact Features

CompactPCI Designation	P2/P5
Contact Mating Area Plating Material	Gold



Contact Current Rating (Max)	1.5 A
------------------------------	-------

Mechanical Attachment

Connector Mounting Type	Board Mount
-------------------------	-------------

Housing Features

Centerline (Pitch)	2 mm
--------------------	------

Housing Color	Gray
---------------	------

Usage Conditions

Operating Temperature Range	-55 – 125 °C
-----------------------------	--------------

Operation/Application

Circuit Application	Power & Signal
---------------------	----------------

Industry Standards

AdvancedTCA Specified Product	No
-------------------------------	----

Packaging Features

Packaging Method	Tube
------------------	------

Product Compliance

[For compliance documentation, visit the product page on TE.com>](#)

EU RoHS Directive 2011/65/EU	Compliant
------------------------------	-----------

EU ELV Directive 2000/53/EC	Compliant
-----------------------------	-----------

China RoHS 2 Directive MIIT Order No 32, 2016	No Restricted Materials Above Threshold
-----------------------------------------------	-----------------------------------------

EU REACH Regulation (EC) No. 1907/2006	Current ECHA Candidate List: JUN 2020 (209) Candidate List Declared Against: JUL 2019 (201) Does not contain REACH SVHC
----------------------------------------	-------------------------------------------------------------------------------------------------------------------------------

Halogen Content	Not Low Halogen - contains Br or Cl > 900 ppm.
-----------------	------------------------------------------------

Solder Process Capability	Not applicable for solder process capability
---------------------------	----------------------------------------------

Product Compliance Disclaimer

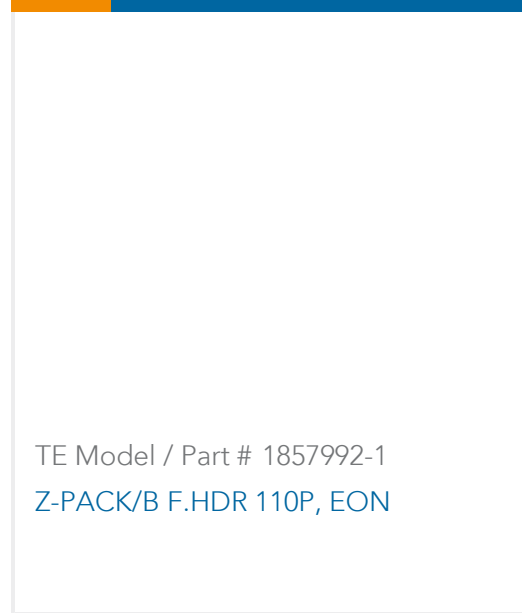
This information is provided based on reasonable inquiry of our suppliers and represents our current actual knowledge based on the information they provided. This information is subject to change. The part numbers that TE has identified as EU RoHS compliant have a maximum concentration of 0.1% by weight in homogenous materials for lead, hexavalent chromium, mercury, PBB, PBDE, DBP, BBP, DEHP, DIBP, and 0.01% for cadmium, or qualify for an exemption to these limits as defined in the Annexes of Directive 2011/65/EU (RoHS2). Finished electrical and electronic equipment products will be CE marked as required by Directive 2011/65/EU. Components may not be CE marked. Additionally, the part numbers that TE has identified as EU ELV compliant have a maximum concentration of 0.1% by weight in homogenous materials for lead, hexavalent chromium, and mercury, and 0.01% for cadmium, or qualify for an exemption to these limits

as defined in the Annexes of Directive 2000/53/EC (ELV). Regarding the REACH Regulation, the information TE provides on SVHC in articles for this part number is based on the latest European Chemicals Agency (ECHA) 'Guidance on requirements for substances in articles' posted at this URL: <https://echa.europa.eu/guidance-documents/guidance-on-reach>

Compatible Parts



TE Model / Part # 5352268-1
Z-PACK/B22 VF 110P

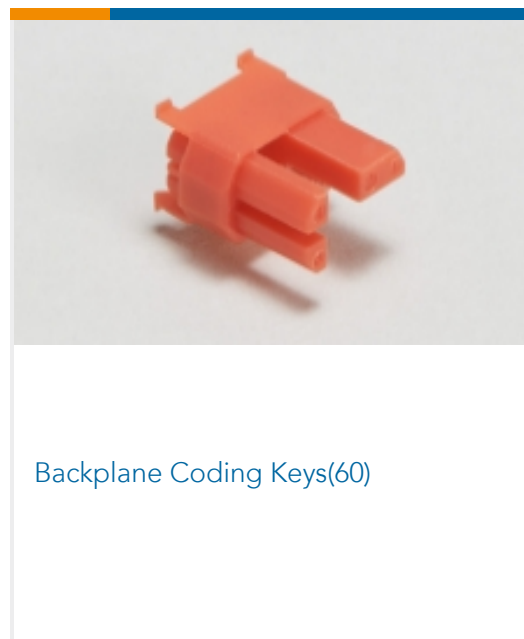


TE Model / Part # 1857992-1
Z-PACK/B F.HDR 110P, EON

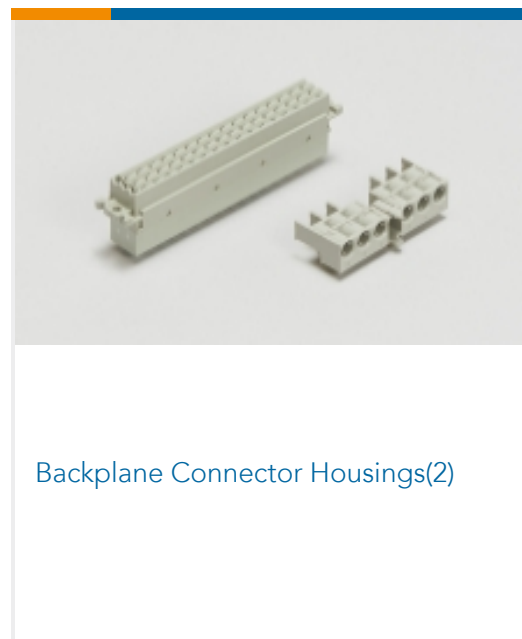


TE Model / Part # 3-5188836-0
Z-PACK/B22 RAF 110P

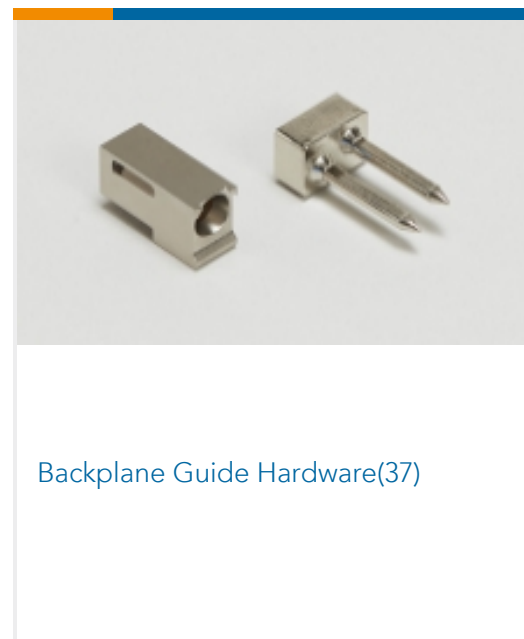
Also in the Series | Z-PACK 2mm HM



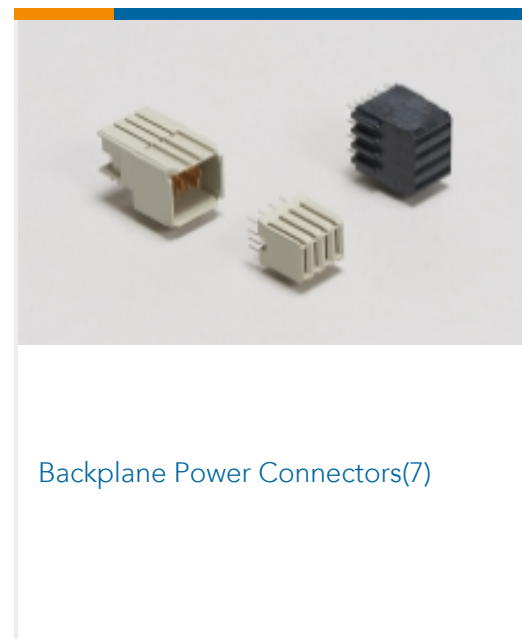
Backplane Coding Keys(60)



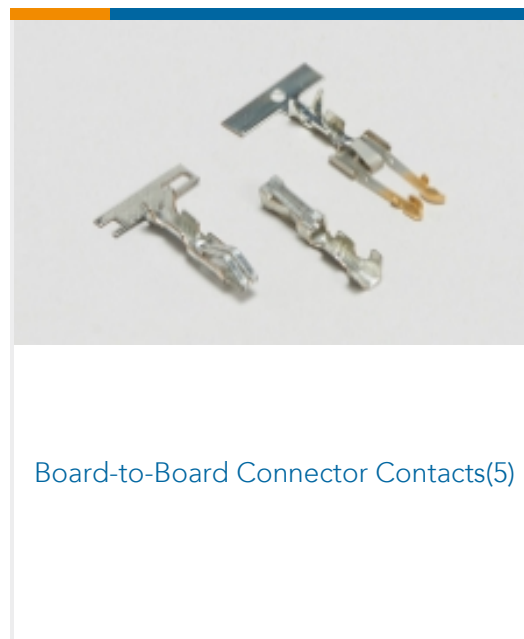
Backplane Connector Housings(2)



Backplane Guide Hardware(37)



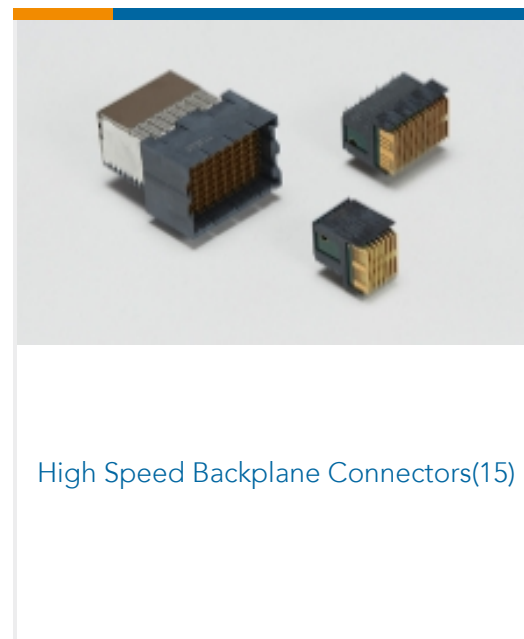
Backplane Power Connectors(7)



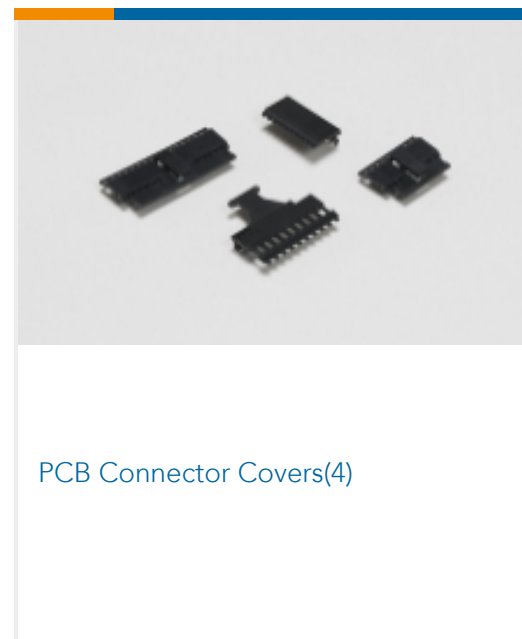
Board-to-Board Connector Contacts(5)



Hard Metric Backplane Connectors (259)



High Speed Backplane Connectors(15)



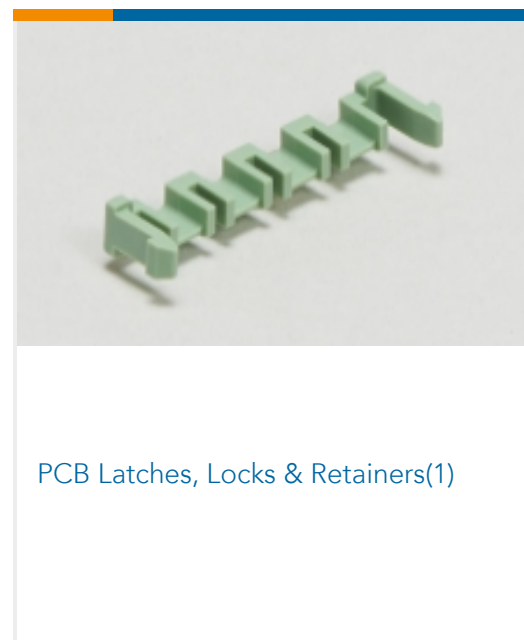
PCB Connector Covers(4)



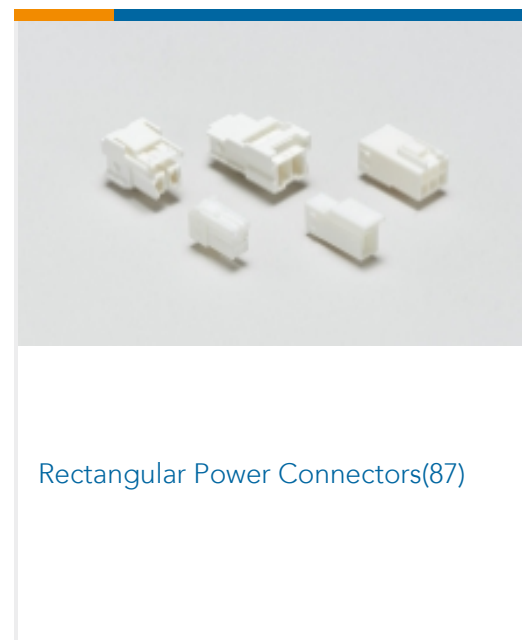
PCB Connector Shrouds(42)



PCB Ferrules & Shields(19)

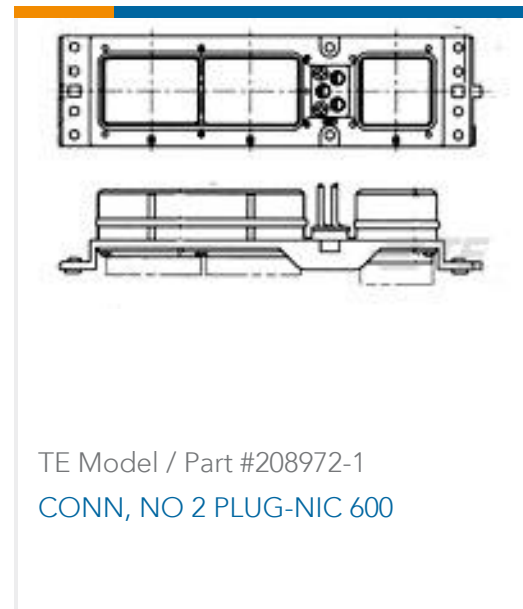
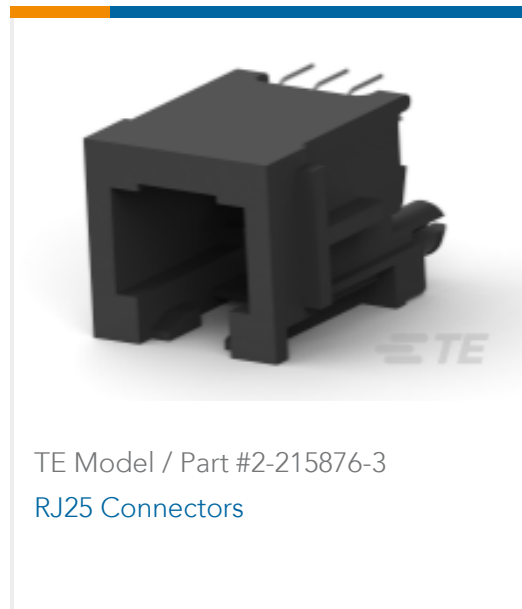
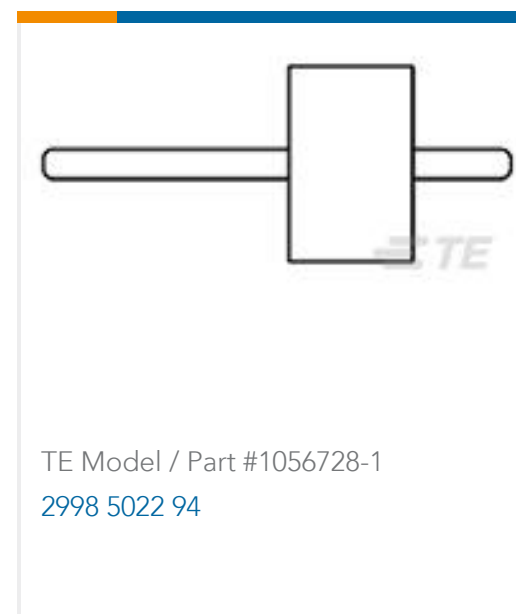
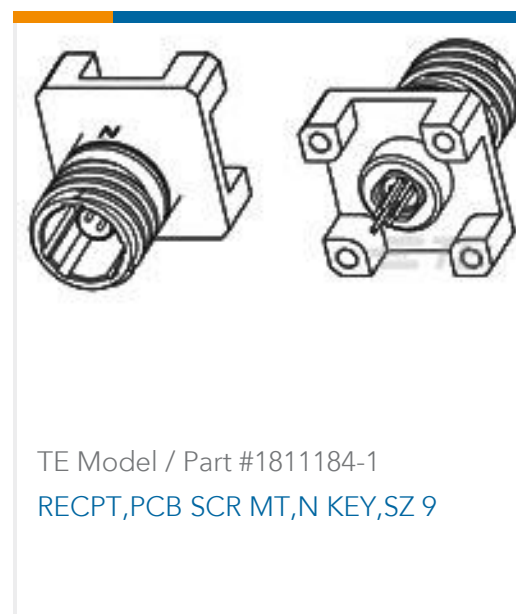


PCB Latches, Locks & Retainers(1)



Rectangular Power Connectors(87)

Customers Also Bought



Documents

Product Drawings

Z-PACK HM/B MALE HDR 110 POS

English

CAD Files

3D PDF

English

Customer View Model

[ENG_CVM_5352639-1_O.2d_dxf.zip](#)

English

Customer View Model

[ENG_CVM_5352639-1_O.3d_igs.zip](#)

English

Customer View Model

[ENG_CVM_5352639-1_O.3d_stp.zip](#)

English

By downloading the CAD file I accept and agree to the [Terms and Conditions](#) of use.

Product Specifications



Application Specification

English