

**PLEASE CHECK WWW.MOLEX.COM FOR LATEST PART INFORMATION**

**Part Number:** [0534620001](#)  
**Status:** **Active**  
**Overview:** 2.00mm I/O Connectors  
**Description:** 2.00mm Pitch IEEE 1394-1995 Shielded I/O PCB Socket, Right-Angle, Flat, Surface Mount, 6 Circuits, Embossed Tape Packaging

**Documents:**

[Drawing \(PDF\)](#) [Product Literature \(PDF\)](#)  
[RoHS Certificate of Compliance \(PDF\)](#)

**General**

Product Family	I/O Connectors
Series	<a href="#">53462</a>
Application	Wire-to-Board
Component Type	Receptacle
Overview	<a href="#">2.00mm I/O Connectors</a>
Product Name	2.00mm I/O Connectors
Type	N/A
UPC	191128756037

**Physical**

Circuits (Loaded)	6
Circuits (maximum)	6
Color - Resin	Black
Lock to Mating Part	Yes
Material - Metal	Brass, Phosphor Bronze
Material - Plating Mating	Gold
Material - Plating Termination	Tin
Material - Resin	High Temperature Thermoplastic
Net Weight	1953.434/mg
Number of Rows	2
Orientation	Right Angle
PC Tail Length	3.00mm
PCB Retention	Yes
PCB Thickness - Recommended	1.60mm
Packaging Type	Embossed Tape on Reel
Panel Mount	No
Pitch - Mating Interface	2.00mm
Plating min - Mating	0.762µm
Plating min - Termination	1.016µm
Polarized to Mating Part	Yes
Polarized to PCB	Yes
Surface Mount Compatible (SMC)	N/A
Temperature Range - Operating	-25° to +85°C
Termination Interface: Style	Surface Mount

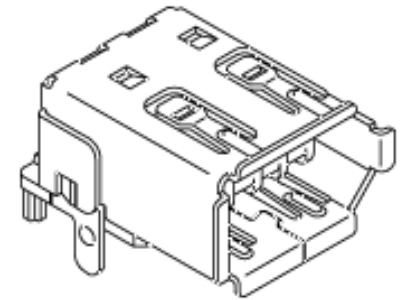
**Electrical**

Current - Maximum per Contact	0.5A, 1.5A
Shielded	Yes
Voltage - Maximum	40V

**Material Info**

**Reference - Drawing Numbers**

Sales Drawing	534620001-000, SD-53462-010-001
---------------	---------------------------------



Series image - Reference only

**EU ELV**

**Not Relevant**

**EU RoHS**

**Compliant**

**REACH SVHC**

Contained Per -  
D(2020)4578-DC (25  
June 2020)

1,2-  
Benzenedicarboxylic  
acid, dihexyl ester,  
bra  
Terphenyl,  
hydrogenated  
2-(2H-benzotriazol-2-  
yl)-4-(tert-butyl)-6-  
(sec-b  
2-(2H-benzotriazol-2-  
yl)-4,6-  
ditertpentylphenol  
2-ethylhexyl 10-  
ethyl-4,4-dioctyl-7-  
oxo-8-oxa-3,  
sodium  
peroxometaborate  
2,4-di-tert-butyl-6-(5-  
chlorobenzotriazol-2-  
yl)p  
2-benzotriazol-2-  
yl-4,6-di-tert-  
butylphenol  
ammoniumpentadecafluorooctanoate  
disodium 4-  
amino-3-[[4'-[(2,4-  
diaminophenyl)azo]  
1,3-propanesultone  
1-vinylimidazole  
1,2-diethoxyethane  
disodium 3,3'-[[1,1'-  
biphenyl]-4,4'-  
diylbis(azo)  
dodecamethylcyclohexasiloxane  
perfluorooctanoic acid

**China RoHS**

di-n-pentyl phthalate  
(DPP)  
furan  
4-o-tolylazo-o-  
toluidine  
ethylene thiourea  
4-methyl-m-  
phenylenediamine  
o-toluidine  
butyl 4-  
hydroxybenzoate  
phenanthrene  
dicyclohexyl phthalate  
p-(1,1-  
dimethylpropyl)phenol  
N-methylacetamide  
dimethyl sulphate  
pentacosafuorotridecanoic  
acid  
Perfluorohexane-1-  
sulphonic acid and its  
salts  
5-sec-butyl-2-(2,4-  
dimethylcyclohex-3-  
en-1-yl)-5  
1,2-  
benzenedicarboxylic  
acid, di-C6-10-alkyl  
est  
reaction mass of  
2-ethylhexyl 10-  
ethyl-4,4-dioct  
Cadmium sulphate  
Bisphenol-A  
Methylhexahydrophthalic  
anhydride  
Perfluorononan-1-  
oic acid  
(2,2,3,3,4,4,5,5,6,6,7  
Reaction  
products of 1,3,4-  
thiadiazolidine-2,5-d  
Dodecachloropentacyclo[12.2.1.16,9.02,13.05,10]o  
Pyrene  
Perfluorobutane  
sulfonic acid (PFBS)  
and its sal  
Tris(4-nonylphenyl,  
branched and linear)  
phosphi  
Nonadecafluorodecanoic  
acid (PFDA) and its  
sodiu  
4-Nonylphenol,  
branched and linear,  
ethoxylated  
Trixylyl phosphate  
4-Nonylphenol,  
branched and linear  
[substances w  
Zirconia  
Aluminosilicate  
Refractory Ceramic  
Fibr

Aluminosilicate  
Refractory Ceramic  
Fibres  
Sodium dichromate  
4,4'-Oxydianiline and  
its salts  
Boric acid  
Disodium tetraborate  
n-pentyl-  
isopentylphthalate  
3-ethyl-2-methyl-2-  
(3-methylbutyl)-1,3-  
oxazolidi  
2-benzyl-2-  
dimethylamino-4-  
morpholinobutyropheno  
2-methyl-1-(4-  
methylthiophenyl)-2-  
morpholinoprop  
1,2-  
benzenedicarboxylic  
acid, dipentylester,  
bra  
benzo[a]pyrene  
1,2-  
benzenedicarboxylic  
acid; di-C6-8-  
branched a  
1,2,3-trichloropropane  
N-methyl-2-  
pyrrolidone  
1,2-  
benzenedicarboxylic  
acid; di-C7-11-  
branched  
2-ethoxyethyl acetate  
cobalt sulphate  
cobalt dinitrate  
cobalt carbonate  
2-methoxyethanol  
2-ethoxyethanol  
trichloroethylene  
tetraboron disodium  
heptaoxide, hydrate  
potassium dichromate  
potassium chromate  
Pitch, coal tar, high-  
temp.; Pitch  
Lead chromate  
molybdate sulfate red  
lead chromate  
Anthracene oil,  
anthracene-low;  
Anthracene Oil F  
lead hydrogen  
arsenate  
bis(tributyltin) oxide  
alkanes, C10-13,  
chloro  
bis(2-ethylhexyl)  
phthalate (DEHP)  
musk xylene  
diarsenic trioxide  
diarsenic pentaoxide  
cobalt dichloride

dibutyl phthalate  
(DBP)  
4,4'-  
diaminodiphenylmethane  
potassium  
hydroxyoctaoxodizincatedichromate(1-)  
Fatty acids, C16-18,  
lead salts  
[phthalato(2-)]dioxotrilead  
Silicic acid (H<sub>2</sub>Si<sub>2</sub>O<sub>5</sub>),  
barium salt (1:1),  
lead-  
Sulfurous acid, lead  
salt, dibasic  
lead  
bis(tetrafluoroborate)  
dioxobis(stearato)trilead  
tetralead trioxide  
sulphate  
lead titanium trioxide  
lead oxide sulfate  
Silicic acid, lead salt  
lead dinitrate  
cadmium  
lead  
[4-[[4-anilino-1-  
naphthyl]]4-  
(dimethylamino)phen  
1,3,5-  
tris(oxiranylmethyl)-1,3,5-  
triazine-2,4,6(  
Lead oxide  
trilead bis(carbonate)  
dihydroxide  
orange lead  
cadmium oxide (non-  
pyrophoric)  
diboron trioxide  
cadmium carbonate  
N,N,N',N'-  
tetramethyl-4,4'-  
methylenedianiline  
2,2'-dichloro-4,4'-  
methylenedianiline  
dichromium  
tris(chromate)  
bis(2-methoxyethyl)  
phthalate  
pentazinc chromate  
octahydroxide  
trilead diarsenate  
arsenic acid

**Halogen-Free  
Status**

**Not Low-Halogen**

For more information, please visit [Contact US](#)

China ROHS	Green Image
ELV	Not Relevant
RoHS Phthalates	Not Contained

**Search Parts in this Series**  
53462 Series

**Mates With**

Serial I/O Connectors 551000670 ,  
551000680 , 5006540609

This document was generated on 10/15/2020

**PLEASE CHECK [WWW.MOLEX.COM](http://WWW.MOLEX.COM) FOR LATEST PART INFORMATION**