

PLEASE CHECK WWW.MOLEX.COM FOR LATEST PART INFORMATION

Part Number: [53426-0290](#)
Status: **Active**
Overview: Mini-Lock™
Description: 2.50mm Pitch Mini-Lock™ Wire-to-Board Header, Right Angle, Friction and Positive Lock, Radial Tape Packaging, 2 Circuits, Lead-Free

Documents:

3D Model	Product Specification PS-51103-005 (PDF)
Drawing (PDF)	Product Specification PS-51163-002 (PDF)
Product Specification PS-51102-002 (PDF)	RoHS Certificate of Compliance (PDF)

Agency Certification

CSA	LR19980
TUV	R72081037
UL	E29179

General

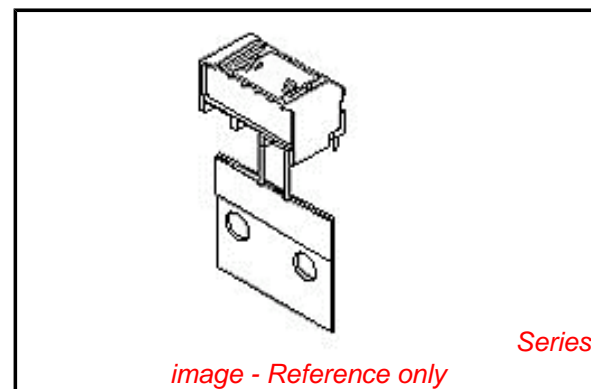
Product Family	PCB Headers
Series	53426
Application	Signal, Wire-to-Board
Overview	<u>Mini-Lock™</u>
Product Name	Mini-Lock™
UPC	800753682467

Physical

Breakaway	No
Circuits (Loaded)	2
Circuits (maximum)	2
Color - Resin	White
Durability (mating cycles max)	30
Flammability	94V-0
Glow-Wire Compliant	No
Keying to Mating Part	Yes
Lock to Mating Part	Yes
Material - Metal	Phosphor Bronze
Material - Plating Mating	Tin
Material - Plating Termination	Tin
Net Weight	420.040/mg
Number of Rows	1
Orientation	Right Angle
PC Tail Length	2.80mm
PCB Locator	Yes
PCB Retention	Yes
PCB Thickness - Recommended	1.60mm
Packaging Type	Radial Tape
Pitch - Mating Interface	2.50mm
Polarized to PCB	No
Shrouded	Fully
Stackable	No
Surface Mount Compatible (SMC)	No
Temperature Range - Operating	-40°C to +105°C
Termination Interface: Style	Through Hole

Electrical

Current - Maximum per Contact	3A
Voltage - Maximum	250V



EU RoHS

ELV and RoHS Compliant

REACH SVHC

Not Reviewed

Low-Halogen Status

Not Low-Halogen

China RoHS



Need more information on product environmental compliance?

Email productcompliance@molex.com
 For a multiple part number RoHS Certificate of Compliance, [click here](#)

Please visit the [Contact Us](#) section for any non-product compliance questions.

Search Parts in this Series

[53426Series](#)

Mates With

[51102](#) Housing with Friction Lock, [51103](#) Housing with Positive Lock, [51163](#) , [51164](#) Housing with Positive Lock and Retainer, [50351](#) Crimp Terminal, [50752](#) Crimp Terminal

Material Info

Reference - Drawing Numbers

Product Specification

PS-51102-002, PS-51103-005, PS-51163-002,
RPS-51103-010, RPS-51103-011, RPS-51103-022,
RPS-51103-032, RPS-51103-033, RPS-51103-039,
RPS-51103-041, RPS-51103-047, RPS-51103-050,
RPS-51103-056, RPS-51103-057, RPS-51163-002
SD-53426-002

Sales Drawing

This document was generated on 06/06/2013

PLEASE CHECK WWW.MOLEX.COM FOR LATEST PART INFORMATION