

PLEASE CHECK WWW.MOLEX.COM FOR LATEST PART INFORMATION

Part Number: [53408-2479](#)
Status: **Active**
Description: 1.00mm Pitch Plug, Surface Mount, Dual Row, Vertical Stacking, 18.00mm Stack Height, Lead-Free, 24 Circuits

Documents:

[3D Model](#) [Packaging Specification SPK-53408-001 \(PDF\)](#)
[Drawing \(PDF\)](#) [RoHS Certificate of Compliance \(PDF\)](#)
[Product Specification PS-52584-003 \(PDF\)](#)

General

Product Family	PCB Headers
Series	53408
Application	Board-to-Board, Signal
Product Name	N/A
UPC	822348189854

Physical

Breakaway	No
Circuits (Loaded)	24
Circuits (maximum)	24
Color - Resin	Natural
Durability (mating cycles max)	50
First Mate / Last Break	No
Glow-Wire Compliant	No
Guide to Mating Part	No
Keying to Mating Part	None
Lock to Mating Part	None
Mated Height	19.94mm
Material - Plating Mating	Gold
Material - Plating Termination	Tin
Material - Resin	High Temperature Thermoplastic
Net Weight	1899.960/mg
Number of Rows	2
Orientation	Vertical
PCB Locator	Yes
PCB Retention	Yes
PCB Thickness - Recommended	1.00mm
Packaging Type	Tube
Pitch - Mating Interface	1.00mm
Polarized to PCB	No
Shrouded	Fully
Stackable	No
Temperature Range - Operating	-55°C to +85°C
Termination Interface: Style	Surface Mount

Electrical

Current - Maximum per Contact	0.5A
Voltage - Maximum	100V

Material Info

Reference - Drawing Numbers

Packaging Specification	SPK-53408-001
Product Specification	PS-52584-003, RPS-500017-002, RPS-52584-010
Sales Drawing	SD-53408-007, SD-53408-008

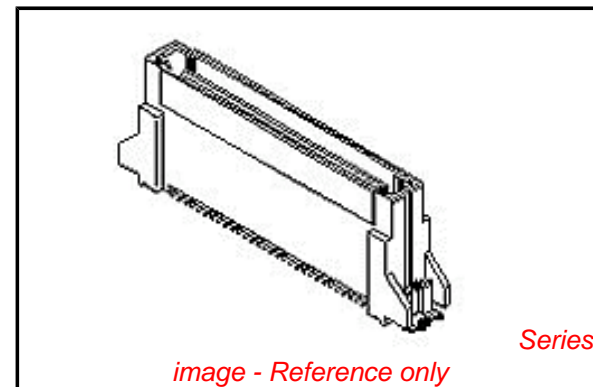


image - Reference only

EU RoHS

**ELV and RoHS
Compliant**

REACH SVHC

**Contains SVHC: No
Low-Halogen Status
Low-Halogen**

China RoHS



**Need more information on product
environmental compliance?**

Email productcompliance@molex.com
 For a multiple part number RoHS Certificate of Compliance, [click here](#)

Please visit the [Contact Us](#) section for any non-product compliance questions.

Search Parts in this Series

[53408Series](#)

Mates With

[52602 PCB Receptacle](#)

This document was generated on 10/06/2014

PLEASE CHECK WWW.MOLEX.COM FOR LATEST PART INFORMATION