

PLEASE CHECK WWW.MOLEX.COM FOR LATEST PART INFORMATION

Part Number: [53408-0579](#)
Status: **Active**
Description: 1.00mm Pitch Plug, Surface Mount, Dual Row, Vertical Stacking, Mated Stack Height 18.00mm and 20.00mm, Lead-Free, 50 Circuits

Documents:

[3D Model](#) [Packaging Specification SPK-53408-001 \(PDF\)](#)
[Drawing \(PDF\)](#) [RoHS Certificate of Compliance \(PDF\)](#)
[Product Specification PS-52584-003 \(PDF\)](#)

General

| | |
|----------------|------------------------|
| Product Family | PCB Headers |
| Series | 53408 |
| Application | Board-to-Board, Signal |
| Product Name | N/A |
| UPC | 822348189861 |

Physical

| | |
|--------------------------------|--------------------------------|
| Breakaway | No |
| Circuits (Loaded) | 50 |
| Circuits (maximum) | 50 |
| Color - Resin | Natural |
| Durability (mating cycles max) | 50 |
| First Mate / Last Break | No |
| Glow-Wire Compliant | No |
| Guide to Mating Part | No |
| Keying to Mating Part | None |
| Lock to Mating Part | None |
| Mated Height | 18.00mm, 20.00mm |
| Material - Metal | Phosphor Bronze |
| Material - Plating Mating | Gold |
| Material - Plating Termination | Tin |
| Material - Resin | High Temperature Thermoplastic |
| Net Weight | 3020.650/mg |
| Number of Rows | 2 |
| Orientation | Vertical |
| PCB Locator | Yes |
| PCB Retention | Yes |
| PCB Thickness - Recommended | 1.00mm |
| Packaging Type | Tube |
| Pitch - Mating Interface | 1.00mm |
| Plating min - Mating | 0.254µm |
| Plating min - Termination | 1.016µm |
| Polarized to PCB | No |
| Shrouded | Fully |
| Stackable | No |
| Temperature Range - Operating | -55°C to +85°C |
| Termination Interface: Style | Surface Mount |

Electrical

| | |
|-------------------------------|------|
| Current - Maximum per Contact | 0.5A |
| Voltage - Maximum | 100V |

Material Info

Reference - Drawing Numbers

| | |
|-------------------------|---------------|
| Packaging Specification | SPK-53408-001 |
|-------------------------|---------------|

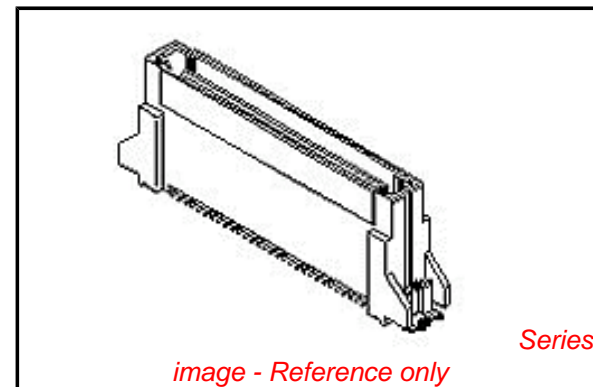


image - Reference only

EU RoHS

**ELV and RoHS
Compliant**

REACH SVHC

**Contains SVHC: No
Low-Halogen Status
Low-Halogen**

China RoHS



**Need more information on product
environmental compliance?**

Email productcompliance@molex.com
 For a multiple part number RoHS Certificate of Compliance, [click here](#)

Please visit the [Contact Us](#) section for any non-product compliance questions.

Search Parts in this Series

[53408Series](#)

Mates With

PCB Receptacle [52584](#) , [52602](#)

Product Specification

Sales Drawing

PS-52584-003, RPS-500017-002, RPS-52584-010,
RPS-52602-001
SD-53408-007, SD-53408-008

This document was generated on 06/06/2013

PLEASE CHECK WWW.MOLEX.COM FOR LATEST PART INFORMATION