

5338109-2 ✓ ACTIVE

Z-PACK | Z-PACK 2mm HM

TE Internal #: 5338109-2

Z-PACK 2mm HM, PCB Ferrules & Shields, Shield, Upper Shield

Location, Ground Return Shielding

[View on TE.com >](#)



Connectors > PCB Connectors > PCB Connector Accessories > Protection & Strain Relief > Ferrules & Shields



Connector Shielding Accessory Type: **Shield**

Shield Location: **Upper**

Ground Component Type: **Ground Return Shielding**

Features

Product Type Features

Connector Shielding Accessory Type	Shield
Ground Component Type	Ground Return Shielding

Body Features

Shield Location	Upper
-----------------	-------

Contact Features

Contact Mating Area Plating Material	Tin
Contact Base Material	Phosphor Bronze

Dimensions

Product Length	50 mm[1.968 in]
----------------	-----------------

Packaging Features

Packaging Quantity	30
--------------------	----

Product Compliance

[For compliance documentation, visit the product page on TE.com>](#)

EU RoHS Directive 2011/65/EU	Compliant
EU ELV Directive 2000/53/EC	Compliant
China RoHS 2 Directive MIIT Order No 32, 2016	No Restricted Materials Above Threshold
EU REACH Regulation (EC) No. 1907/2006	Current ECHA Candidate List: JUN 2020 (209) Candidate List Declared Against: JUL 2019 (201)



Does not contain REACH SVHC

Halogen Content

Low Halogen - Br, Cl, F, I < 900 ppm per homogenous material. Also BFR/CFR/PVC Free

Solder Process Capability

Not applicable for solder process capability

Product Compliance Disclaimer

This information is provided based on reasonable inquiry of our suppliers and represents our current actual knowledge based on the information they provided. This information is subject to change. The part numbers that TE has identified as EU RoHS compliant have a maximum concentration of 0.1% by weight in homogenous materials for lead, hexavalent chromium, mercury, PBB, PBDE, DBP, BBP, DEHP, DIBP, and 0.01% for cadmium, or qualify for an exemption to these limits as defined in the Annexes of Directive 2011/65/EU (RoHS2). Finished electrical and electronic equipment products will be CE marked as required by Directive 2011/65/EU. Components may not be CE marked. Additionally, the part numbers that TE has identified as EU ELV compliant have a maximum concentration of 0.1% by weight in homogenous materials for lead, hexavalent chromium, and mercury, and 0.01% for cadmium, or qualify for an exemption to these limits as defined in the Annexes of Directive 2000/53/EC (ELV). Regarding the REACH Regulation, the information TE provides on SVHC in articles for this part number is based on the latest European Chemicals Agency (ECHA) 'Guidance on requirements for substances in articles' posted at this URL: <https://echa.europa.eu/guidance-documents/guidance-on-reach>

Compatible Parts

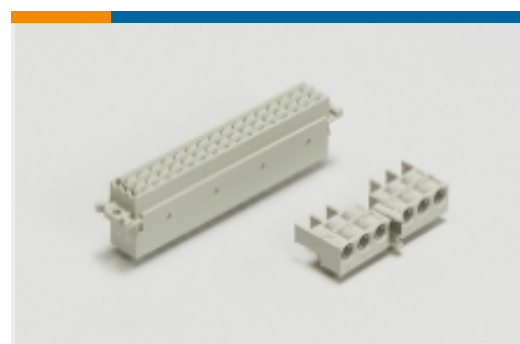


TE Model / Part # 120645-3
2MM HM SHROUD HSG 144P 3.00 H

Also in the Series | Z-PACK 2mm HM



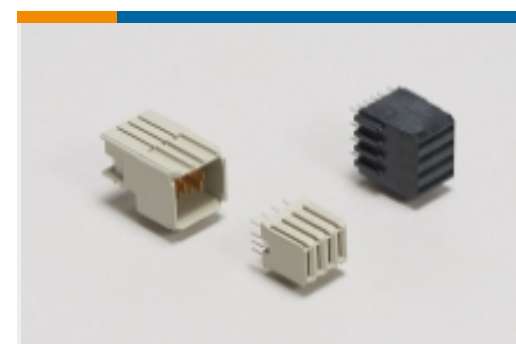
Backplane Coding Keys(60)



Backplane Connector Housings(2)



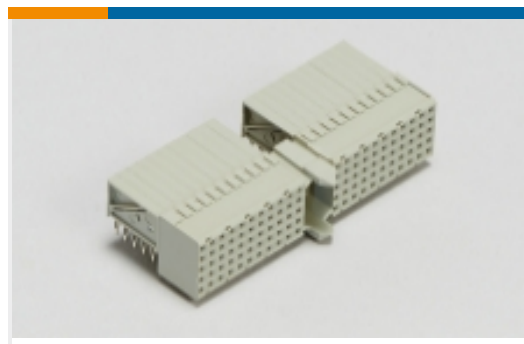
Backplane Guide Hardware(37)



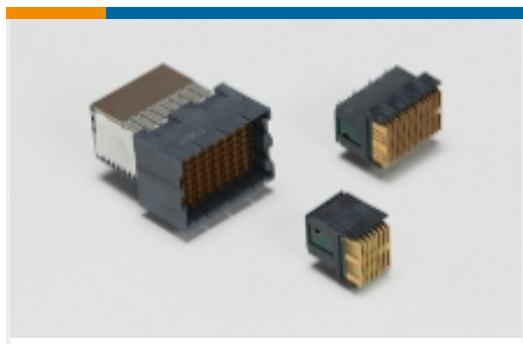
Backplane Power Connectors(7)



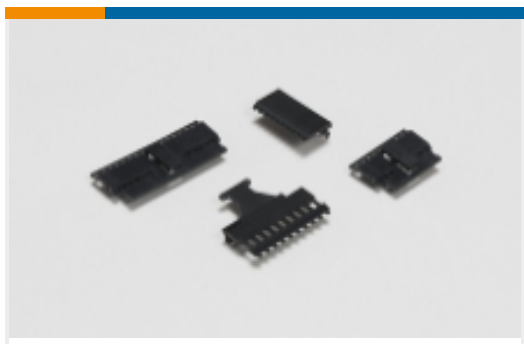
Board-to-Board Connector Contacts(5)



Hard Metric Backplane Connectors (259)



High Speed Backplane Connectors(15)



PCB Connector Covers(4)



PCB Connector Shrouds(42)



PCB Ferrules & Shields(19)

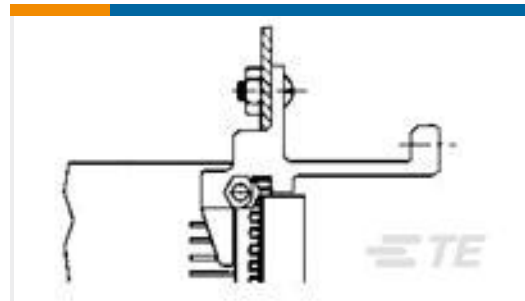


PCB Latches, Locks & Retainers(1)

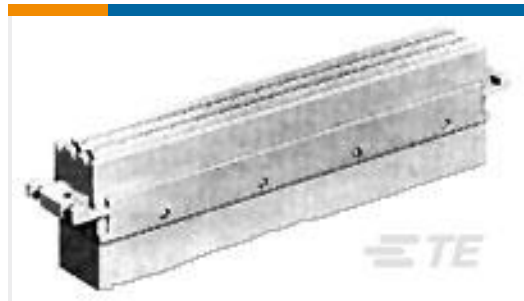


Rectangular Power Connectors(87)

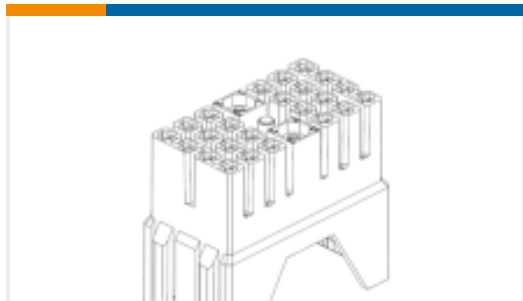
Customers Also Bought



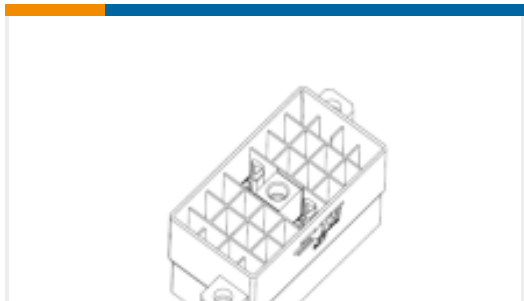
TE Model / Part #8-826199-0
SHIELD ASSY.



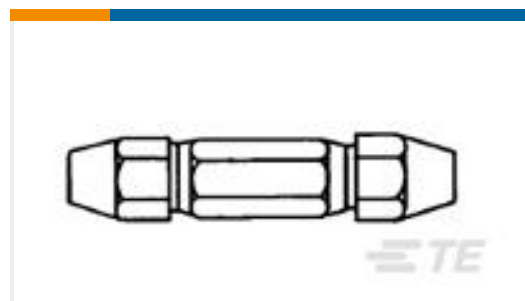
TE Model / Part #166569-1
IEC FEMALE HSG.ASSY



TE Model / Part #284874-1
24 POS PLUG HOUSING ASS'Y



TE Model / Part #284873-1
24 POS CAP HOUSING ASS'Y



TE Model / Part #4-330495-2
TERMI-POINT CLIP 31X62



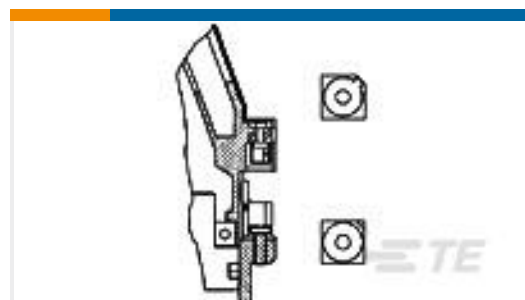
TE Model / Part #C13738-000
MP METALIZED POLYESTER LABELS



TE Model / Part #1-964296-3
TIMER, RECEPTACLE AND TAB



TE Model / Part #1241396-2
AMP MCP, RECEPTACLE AND TAB



TE Model / Part #827107-1
KABELGEH-KODIERG BS

Documents



Product Drawings

Z-PACK SHLD.UPPER B

English

CAD Files

3D PDF

3D

Customer View Model

[ENG_CVM_CVM_5338109-2_D.2d_dxf.zip](#)

English

Customer View Model

[ENG_CVM_CVM_5338109-2_D.3d_igs.zip](#)

English

Customer View Model

[ENG_CVM_CVM_5338109-2_D.3d_stp.zip](#)

English

By downloading the CAD file I accept and agree to the [Terms and Conditions](#) of use.

Product Specifications

Product Specification

English

Product Environmental Compliance

Product Compliance

English

Product Compliance

English