

5338108-9 ✓ ACTIVE

Z-PACK | Z-PACK 2mm HM

TE Internal #: 5338108-9

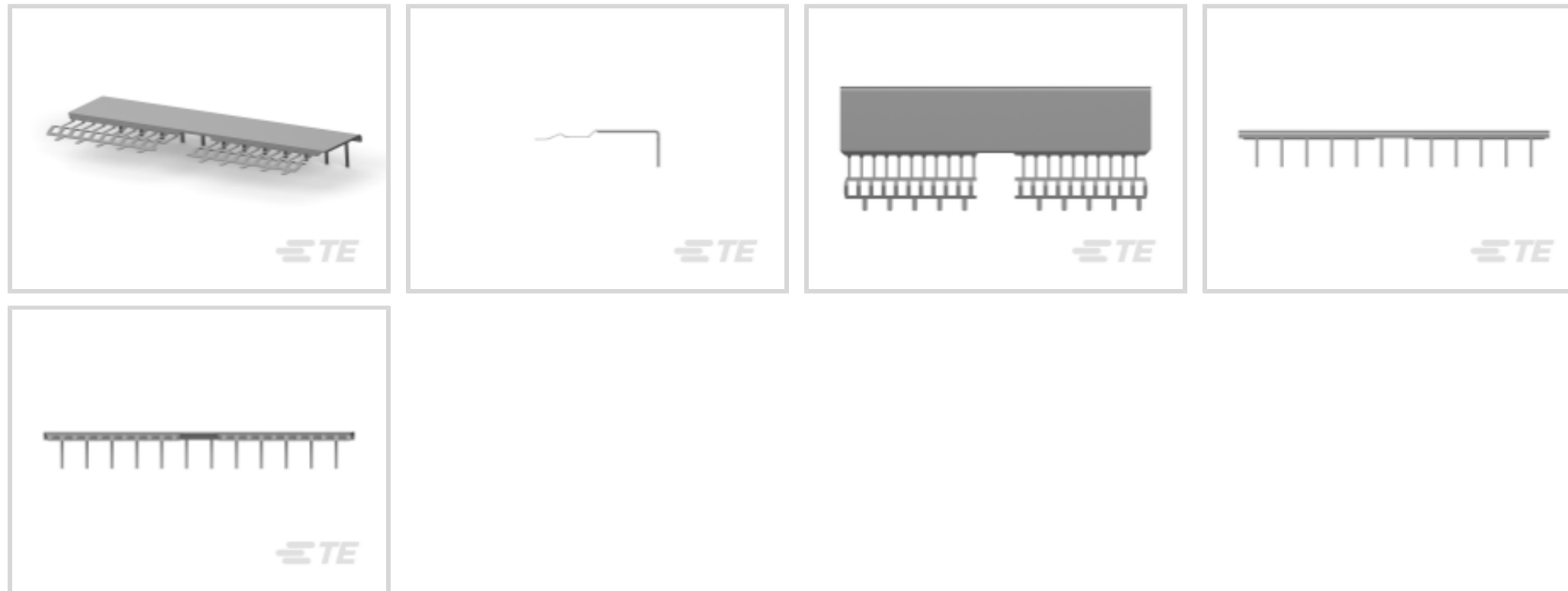
Z-PACK 2mm HM, PCB Ferrules & Shields, Shield, Lower Shield

Location, Ground Return Shielding

[View on TE.com >](#)



Connectors > PCB Connectors > PCB Connector Accessories > Protection & Strain Relief > Ferrules & Shields



Connector Shielding Accessory Type: **Shield**

Shield Location: **Lower**

Ground Component Type: **Ground Return Shielding**

Features

Product Type Features

Connector Shielding Accessory Type	Shield
Ground Component Type	Ground Return Shielding

Body Features

Shield Location	Lower
-----------------	-------

Contact Features

Contact Mating Area Plating Material	Tin
Contact Base Material	Phosphor Bronze

Packaging Features

Packaging Quantity	100
--------------------	-----

Other

Comment	For use with Right Angle Female Connectors, 5 Row, Type A., Shields are supplied and fitted separately as required., Shields lubricated with Bellcore approved lubricant.
---------	---

Product Compliance



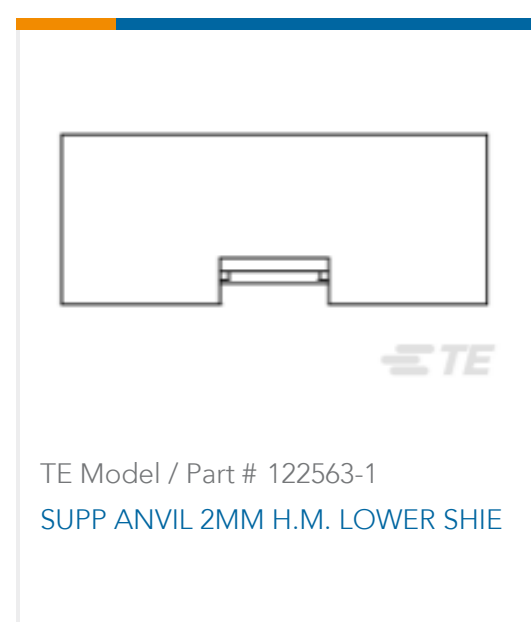
[For compliance documentation, visit the product page on TE.com>](#)

EU RoHS Directive 2011/65/EU	Compliant
EU ELV Directive 2000/53/EC	Compliant
China RoHS 2 Directive MIIT Order No 32, 2016	No Restricted Materials Above Threshold
EU REACH Regulation (EC) No. 1907/2006	Current ECHA Candidate List: JUN 2020 (209) Candidate List Declared Against: JUL 2019 (201) Does not contain REACH SVHC
Halogen Content	Low Halogen - Br, Cl, F, I < 900 ppm per homogenous material. Also BFR/CFR/PVC Free
Solder Process Capability	Not applicable for solder process capability

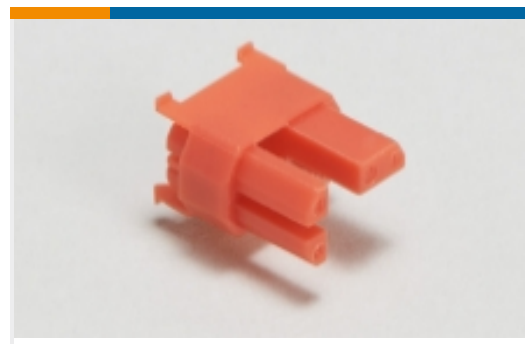
Product Compliance Disclaimer

This information is provided based on reasonable inquiry of our suppliers and represents our current actual knowledge based on the information they provided. This information is subject to change. The part numbers that TE has identified as EU RoHS compliant have a maximum concentration of 0.1% by weight in homogenous materials for lead, hexavalent chromium, mercury, PBB, PBDE, DBP, BBP, DEHP, DIBP, and 0.01% for cadmium, or qualify for an exemption to these limits as defined in the Annexes of Directive 2011/65/EU (RoHS2). Finished electrical and electronic equipment products will be CE marked as required by Directive 2011/65/EU. Components may not be CE marked. Additionally, the part numbers that TE has identified as EU ELV compliant have a maximum concentration of 0.1% by weight in homogenous materials for lead, hexavalent chromium, and mercury, and 0.01% for cadmium, or qualify for an exemption to these limits as defined in the Annexes of Directive 2000/53/EC (ELV). Regarding the REACH Regulation, the information TE provides on SVHC in articles for this part number is based on the latest European Chemicals Agency (ECHA) 'Guidance on requirements for substances in articles' posted at this URL: <https://echa.europa.eu/guidance-documents/guidance-on-reach>

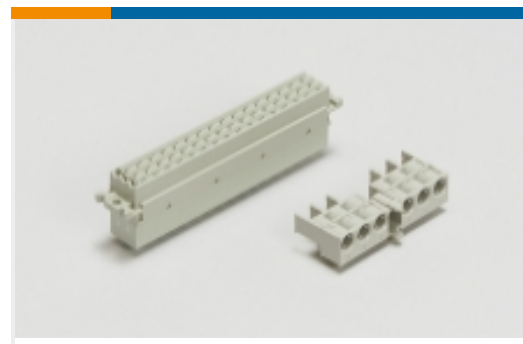
Compatible Parts



Also in the Series | [Z-PACK 2mm HM](#)



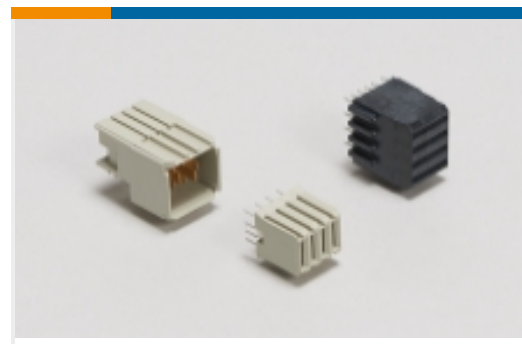
Backplane Coding Keys(60)



Backplane Connector Housings(2)



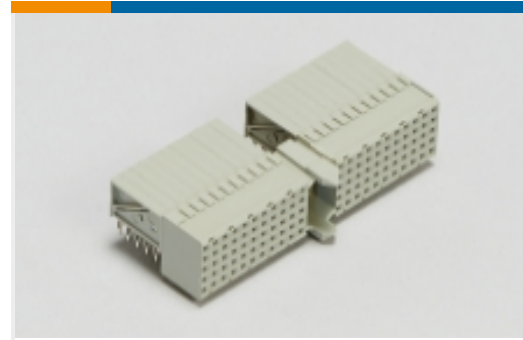
Backplane Guide Hardware(37)



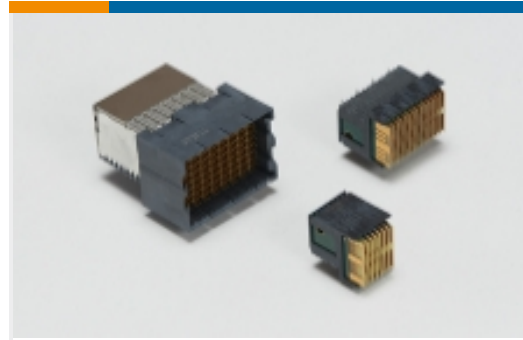
Backplane Power Connectors(7)



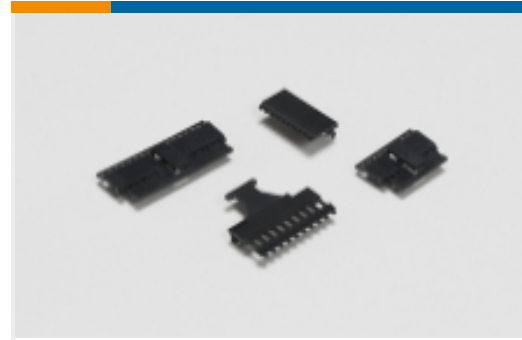
Board-to-Board Connector Contacts(5)



Hard Metric Backplane Connectors (259)



High Speed Backplane Connectors(15)



PCB Connector Covers(4)



PCB Connector Shrouds(42)



PCB Ferrules & Shields(19)



PCB Latches, Locks & Retainers(1)



Rectangular Power Connectors(87)

Customers Also Bought



TE Model / Part #6-1761612-0
STEP-Z PLUG 10MM 104P LF ST



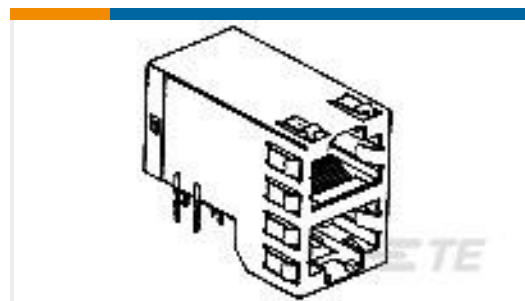
TE Model / Part #5352069-9
Z-PACK/B25 RAF 125P



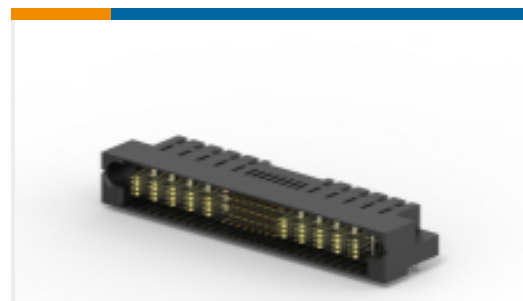
TE Model / Part #6-1761613-5
STEP-Z RCPT 15MM 104P LF ST



TE Model / Part #5223961-8
UNV,PWR,MDL,HDR,R-PEGS



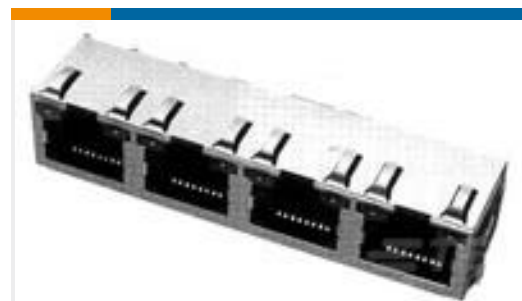
TE Model / Part #6368168-7
2X1 OFFSET ST/JK,LED(G&Y)12PNL



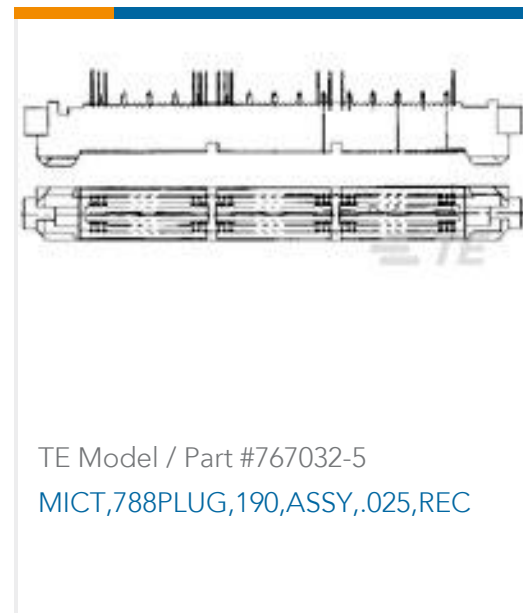
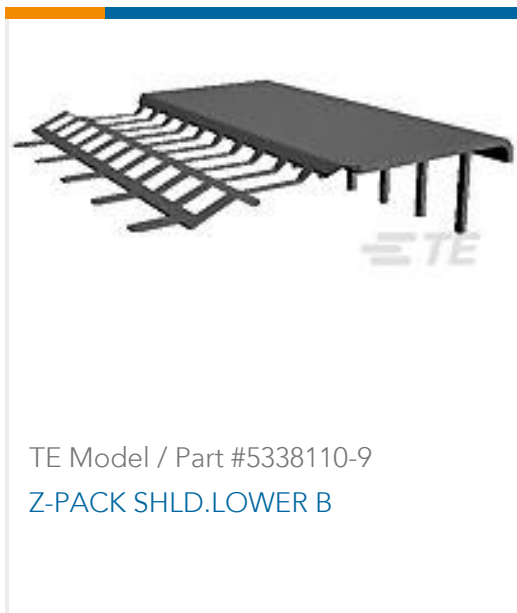
TE Model / Part #2-2204157-4
MBXL R/A HDR 5P+32S+5P



TE Model / Part #6368062-8
2X4 OFFSET STK MJ,SHLD,W/LED



TE Model / Part #1-5406552-7
INV MJ,1X4,PNL GRD,LED (-/G) W



Documents

Product Drawings

[Z-PACK SHLD.LOWER A](#)

English

CAD Files

[3D PDF](#)

3D

Customer View Model

[ENG_CVM_CVM_5338108-9_B.2d_dxf.zip](#)

English

Customer View Model

[ENG_CVM_CVM_5338108-9_B.3d_igs.zip](#)

English

Customer View Model

[ENG_CVM_CVM_5338108-9_B.3d_stp.zip](#)

English

By downloading the CAD file I accept and agree to the [Terms and Conditions](#) of use.

Product Specifications

[Product Specification](#)

English