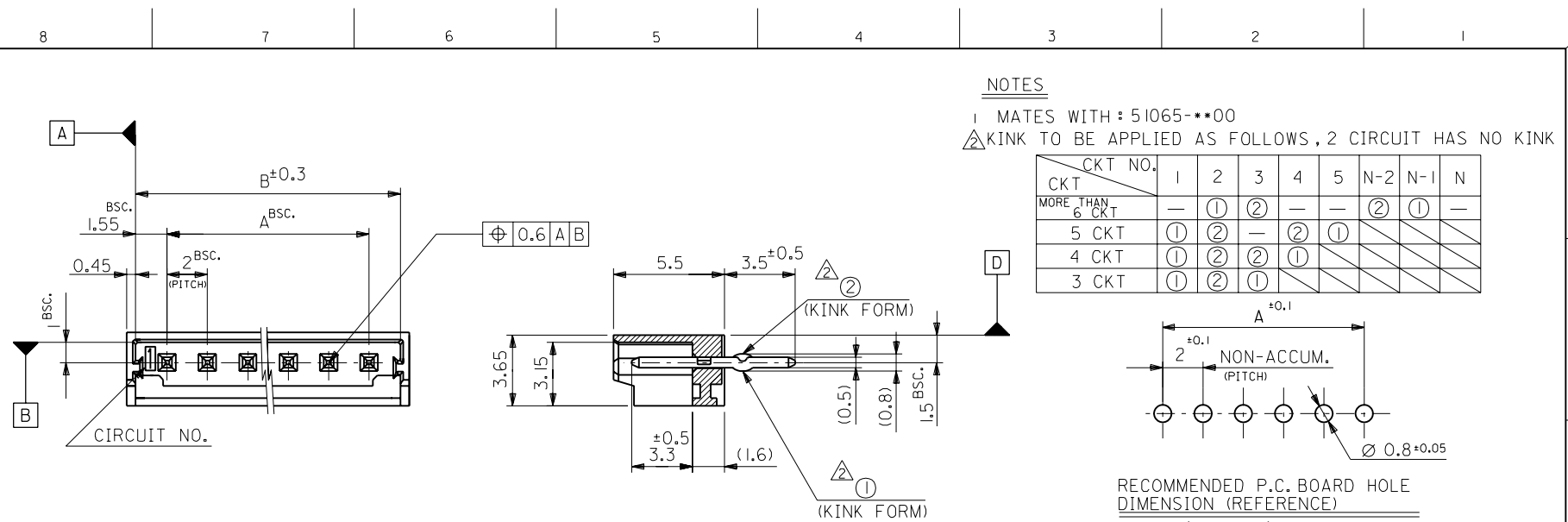




ENG. NO.  
SD-53253-\*\*\*10

EDP NO.

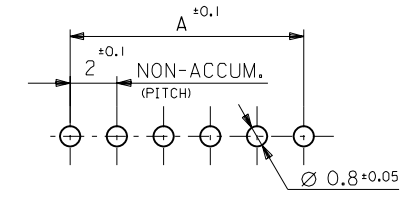
MM DIMENSIONS IN METRIC DO NOT SCALE DRAWING



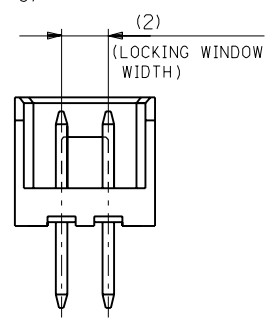
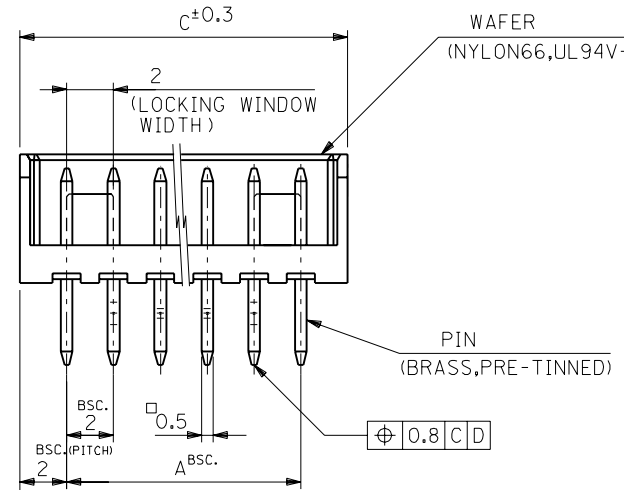
NOTES

1 MATES WITH: 51065-\*\*\*00  
 △KINK TO BE APPLIED AS FOLLOWS, 2 CIRCUIT HAS NO KINK

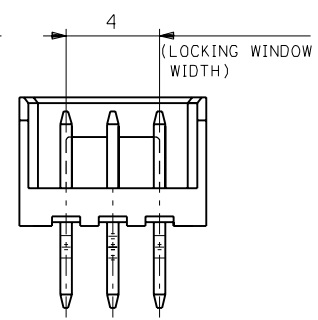
CKT NO.	1	2	3	4	5	N-2	N-1	N
MORE THAN 6 CKT	—	①	②	—	—	②	①	—
5 CKT	①	②	—	②	①	—	—	—
4 CKT	①	②	②	①	—	—	—	—
3 CKT	①	②	①	—	—	—	—	—



RECOMMENDED P.C. BOARD HOLE DIMENSION (REFERENCE)  
 (t = 1.6)



IN CASE OF 2 CIRCUIT WAFER



IN CASE OF 3 CIRCUIT WAFER

32	31.1	28	53253-1510	15
30	29.1	26	-1410	14
28	27.1	24	-1310	13
26	25.1	22	-1210	12
24	23.1	20	-1110	11
22	21.1	18	-1010	10
20	19.1	16	-0910	9
18	17.1	14	-0810	8
16	15.1	12	-0710	7
14	13.1	10	-0610	6
12	11.1	8	-0510	5
10	9.1	6	-0410	4
8	7.1	4	-0310	3
6	5.1	2	53253-0210	2
C	B	A	ENG NO.	CKT

角度 ANGLE	+	°
30 以上 OVER	+0.3	
10 以上 30 未満 UNDER	+0.25	
10 未満 UNDER	+0.2	
一般公差 GENERAL TOLERANCES		

記号 LTR	変更内容 REVISION RECORD	DR. CHK.	日付 DATE
C	REVISED (J20439)	T. I. M.S.	92/7/17
B	REVISED (J10095)	T. I. S.	91/2/26
A	REVISED (J00016)	T. I.	90/1/11
O	PROPOSED (J91084)	T. I.	89/12/20

材料 MATERIAL	仕上げ FINISH	適用電線範囲 WIRE RANGE	被覆外径 INS. RANGE
REFER TO DRAWING	REFER TO DRAWING	—	—

材料 MATERIAL REFER TO DRAWING

仕上げ FINISH REFER TO DRAWING

適用電線範囲 WIRE RANGE —

被覆外径 INS. RANGE —

DRAWN BY 89/9/21 S. AIHARA

CHK'D BY 90/9/11 M. FURUSHIMA

APP'D BY 91/9/11 M. ENOMOTO

尺度 SCALE 5-1

材料 MOLEX-JAPAN CO.,LTD. 日本モレックス株式会社

EDP NO.

ENG. NO. SD-53253-\*\*\*10

REV C

TITLE 名称 NEW 2.0 WIRE TO BOARD CONN. WAFER ASS'Y (ST.)

THIS DRAWING CONTAINS INFORMATION THAT IS PROPRIETARY TO MOLEX(JAPAN) AND SHOULD NOT BE USED WITHOUT WRITTEN PERMISSION  
 本図面は日本モレックス(株)の所有する情報を含むもので 当社の許可なく複製を禁止する。

MXJ-8

ZF0100020261A53253.S031