

PLEASE CHECK WWW.MOLEX.COM FOR LATEST PART INFORMATION

Part Number: [0532530370](#)
Status: **Active**
Overview: [Micro-Latch™ Wire-to-Board Connector System](#)
Description: 2.00mm Pitch Micro-Latch™ Wire-to-Board Header, Vertical, Square Pin, Three-sided Shroud, 3 Circuits

Documents:

[3D Model](#) [Packaging Specification SPK-53253-001 \(PDF\)](#)
[Drawing \(PDF\)](#) [RoHS Certificate of Compliance \(PDF\)](#)
[Product Specification PS-51065-016 \(PDF\)](#)

General

Product Family	PCB Headers
Series	53253
Application	Signal, Wire-to-Board
MolexKits	Yes
Overview	Micro-Latch™ Wire-to-Board Connector System
Product Name	Micro-Latch™
UPC	756054354018

Physical

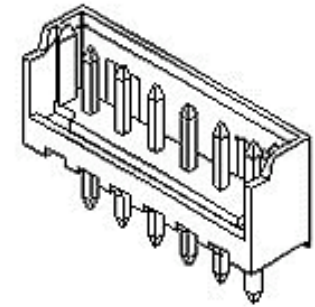
Breakaway	No
Circuits (Loaded)	3
Circuits (maximum)	3
Durability (mating cycles max)	30
First Mate / Last Break	No
Glow-Wire Compliant	No
Lock to Mating Part	Yes
Material - Metal	Brass
Material - Plating Mating	Tin
Material - Plating Termination	Tin
Material - Resin	Nylon
Net Weight	119.600/mg
Number of Rows	1
Orientation	Vertical
PC Tail Length	3.50mm
PCB Locator	No
PCB Retention	Yes
PCB Thickness - Recommended	1.60mm
Packaging Type	Tray
Pitch - Mating Interface	2.00mm
Plating min - Mating	1.016µm
Plating min - Termination	1.016µm
Polarized to Mating Part	Yes
Polarized to PCB	No
Shrouded	Partial
Stackable	No
Surface Mount Compatible (SMC)	No
Temperature Range - Operating	-40°C to +105°C
Termination Interface: Style	Through Hole

Electrical

Current - Maximum per Contact	2.0A
Voltage - Maximum	125V

Material Info

Reference - Drawing Numbers



Series image - Reference only

EU ELV

Not Relevant

EU RoHS

Compliant

REACH SVHC

Not Contained Per
-ED/79/2015 (17
December 2015)

Halogen-Free

Status

Not Low-Halogen

Need more information on product environmental compliance?

Email productcompliance@molex.com
Please visit the [Contact Us](#) section for any non-product compliance questions.

China ROHS
ELV

Green Image
Not Relevant

Search Parts in this Series

[53253](#) Series

Mates With

[51065](#) Crimp Housing, [50212](#) Crimp Terminal

Packaging Specification
Product Specification

SPK-53253-001
PS-51065-016, RPS-51065-001, RPS-51065-006,
RPS-51065-007, RPS-51065-013, RPS-51065-015,
RPS-51065-023, RPS-51065-026, RPS-51065-027,
RPS-51065-028, RPS-51065-030, RPS-51065-031,
RPS-51065-032
SD-51065-006, SD-53253-001

Sales Drawing

This document was generated on 03/29/2016

PLEASE CHECK WWW.MOLEX.COM FOR LATEST PART INFORMATION