


53119000	DATA SHEET	
Valid from: 19.02.2019	SKINTOP® GMP-GL-M	

The SKINTOP® GMP-GL-M, a hexagonal locknut of glass-fibre reinforced polyamide, is used where cable glands are attached but there is only a pass-through hole.



Technical features:

Material	Polyamide glass-fibre reinforced, V2 acc. to UL 94
Sizes	M12x1,5 up to M63x1,5 acc. to EN 60423
Temperature range	Dynamic -20 °C up to +100 °C Static -40 °C up to +100 °C
Colour	RAL 7001 silver-grey RAL 7035 light-grey RAL 9005 black, UV-resistant

Approvals:



UL File Nr. E79903

Norm references:




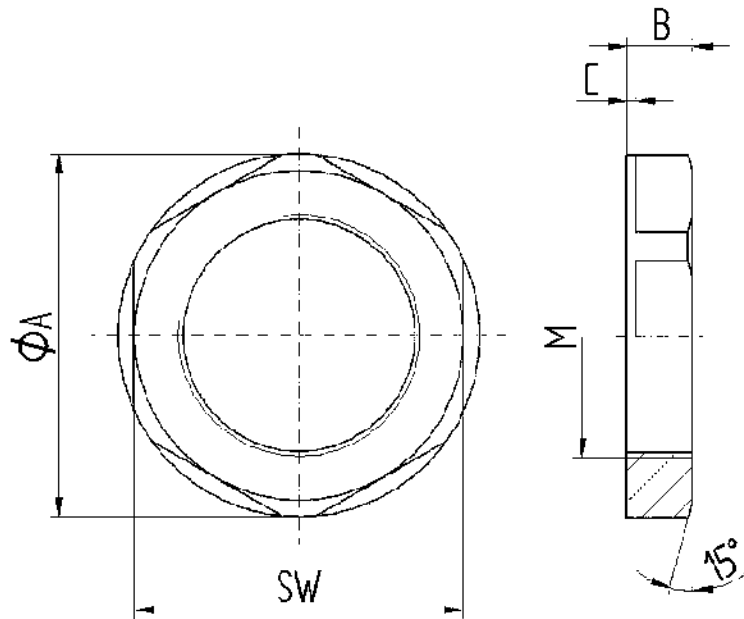
Note:

SKINTOP® GMP-GL can be at request also delivered without a collar.

SKINTOP® GMP-GL is UL-approved only by use with the UL-approved SKINTOP® polyamide cable glands.

Creator: MAAU1 /PDP Released: DAMU1/PDP	Document: DB53119000EN Version: 09	Page 1 of 2
--	---------------------------------------	-------------

53119000	DATA SHEET	
Valid from: 19.02.2019	SKINTOP® GMP-GL-M	



M	SW [mm]	ϕA [mm]	B [mm]	C [mm]	Article No. RAL 7001	Article No. RAL 9005	Article No. RAL 7035
M12x1,5	17	18,7	5	0,8	53119000	53119100	53119003
M16x1,5	22	24,2	5	0,8	53119010	53119110	53119013
M20x1,5	27	29,7	6	0,9	53119020	53119120	53119023
M25x1,5	34	37,4	6	0,9	53119030	53119130	53119033
M32x1,5	41	45,1	7	1	53119040	53119140	53119043
M40x1,5	50	55	7	1	53119050	53119150	53119053
M50x1,5	60	66	8	1,2	53119060	53119160	53119063
M63x1,5	75	82,5	8	1,2	53119070	53119170	53119073

For more information please see our current catalogue. Please do not hesitate to contact our laboratory if there are any questions regarding resistance against aggressive agents and special oil.

Creator: MAU1 /PDP Released: DAMU1/PDP	Document: DB53119000EN Version: 09	Page 2 of 2
---	---------------------------------------	-------------