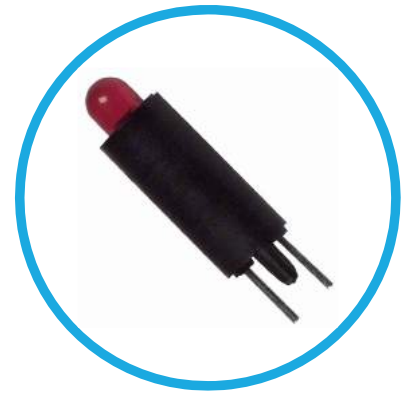




5310F Series T-1 (3mm) LED Circuit Board Indicator



Key Features

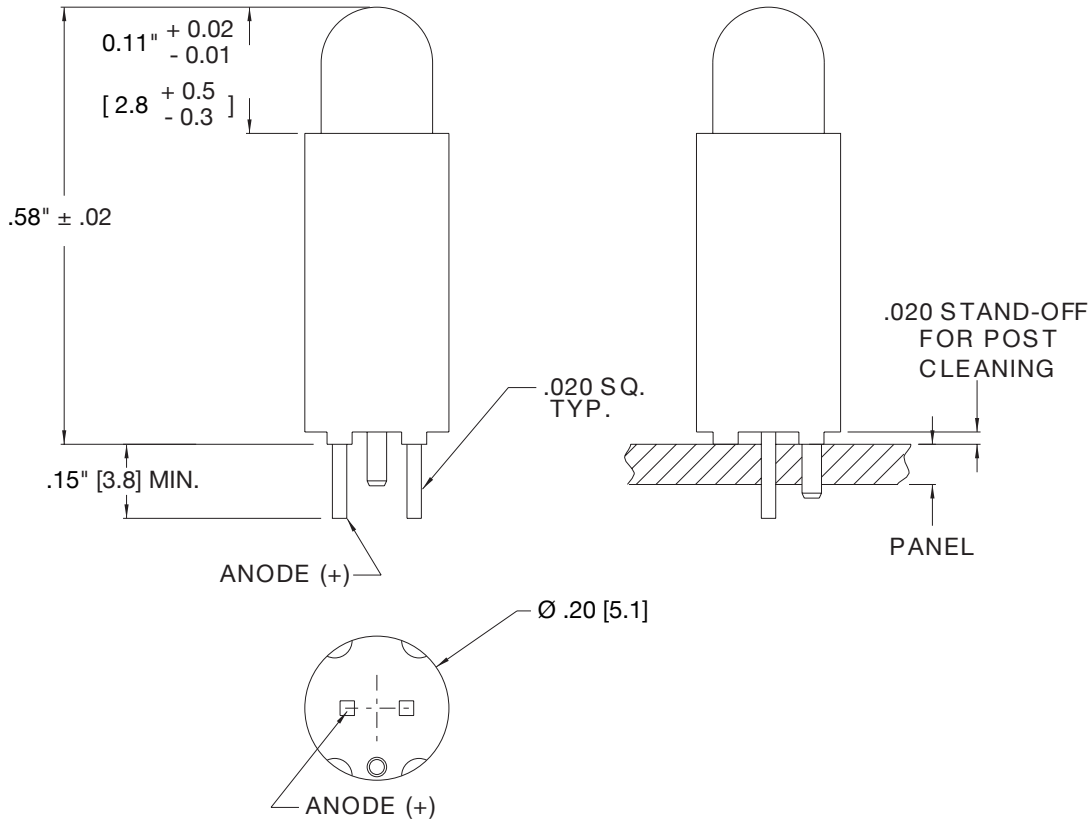
- Block mounting, height and spacing alignment saves assembly cost and time.
- Standoffs prevent flux entrapment.
- Press-in mounting pin secures assembly to PC board while soldering.
- Housing: Black Nylon, UL94V-O
- Alternate LEDs are available in this package as standard variations

Electro-Optical Characteristics and Ratings

Part Number	Emitted Color	Typical Intensity (mcd)	Rated Current (mA)	Continuous Forward Current Max (mA)	Forward Voltage		Reverse Breakdown Voltage Min. (V)	Peak Wavelength (nm)
					Typ. (V)	Max. (V)		
5310F1	Red	10	10	30	2.0	3.0	5	650
5310F3	Amber	7	10	30	2.2	3.0	5	603
5310F5	Green	16	10	30	2.2	3.0	5	562
5310F7	Yellow	6.3	10	30	2.1	3.0	5	585

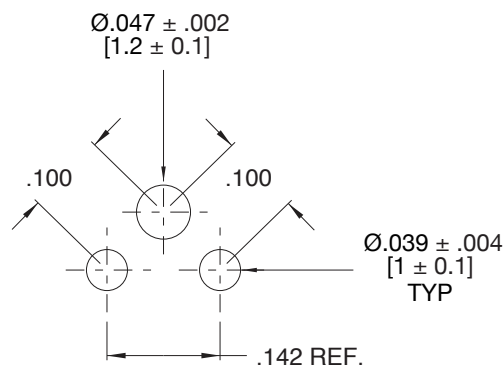
Product Dimensions

Dimensions in inches [mm]



Mounting Hole Pattern

Dimensions in inches [mm]



Compliances and Approvals

