


53105110	DATA SHEET	
Valid from: 26.11.2019	SKINTOP® HYGIENIC / HYGIENIC-R	

The SKINTOP® HYGIENIC / HYGIENIC-R is a high quality cable gland that is suitable for hygienic critical areas. The innovative hygienic design prevents food machines, facilities or component from risk of contamination. The cable gland is suitable for use in applications where mechanical and chemical stability to very aggressive media is required and offers quality and safety in food, pharmaceutical and chemical industry.



Material:

Gland body	Stainless steel – V4A (1.4404 / 316L)
Cap nut	Stainless steel – V4A (1.4404 / 316L)
Insert with lamellar cage	Polyamide
Seals	Special elastomer – conform to FDA 21 CFR 177.2600

Technical features:

Connecting thread	M12x1.5 up to M40x1.5 acc. to EN 60423
Protection class	IP68 – 10 bar, test acc. to EN 60529 M12x1.5 up to M25x1.5: IP69 acc. to EN 60529 M32x1.5 and M40x1.5: IP69 in evaluation
NEMA Type Rating	Type 1, Type 2, Type 4X, Type 6, Type 12 acc. to UL50E
Design	HYGIENIC Standard HYGIENIC-R with reducing sealing ring (for smaller cable diameters)
Temperature range	-20 °C up to +100 °C

Additional features:

High functional safety
Optimal strain relief
Wide and variable clamping range
Hygienic design
Product zone (food)

Approbation:



UL File Nr. 79903

TYPE EL – Class I AUX

UL-approval for sizes M12x1.5 up to M25x1.5

Reference standard:

DIN EN ISO 14 159

Safety of machinery - Hygiene requirements for the design of machinery

DIN EN 1672-2

Food processing machinery - Basic concepts – Part 2: Hygiene requirements




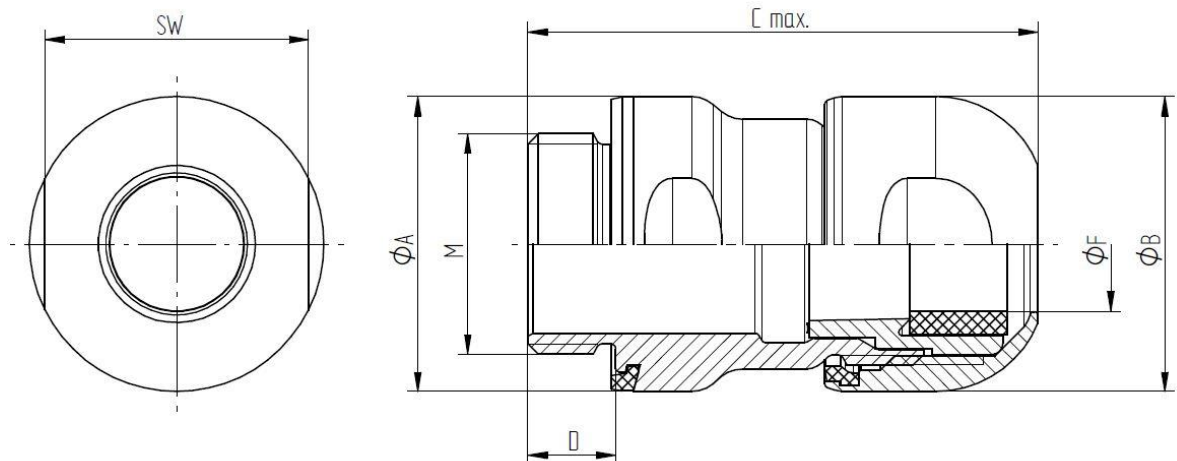
Suitable accessories:

SKINDICHT® SM CrNi M

For more information please see our current catalogue.

Creator: VACH1/PDP Released: DAMU1/PDP	Document: DB53105110EN Version: 08	Page 1 of 2
-------------------------------------------	---------------------------------------	-------------

53105110	DATA SHEET	
Valid from: 26.11.2019	SKINTOP® HYGIENIC / HYGIENIC-R	



SKINTOP® HYGIENIC

Article number	Article description	M	SW [mm]	Ø A [mm]	Ø B [mm]	C max. [mm]	D [mm]	Ø F Clamping range [mm]
53105100	SKINTOP HYGIENIC M12x1,5	M12x1,5	16	18,8	18,8	38,4	6,5	4,0-6,0
53105110	SKINTOP HYGIENIC M16x1,5	M16x1,5	20	22,8	22,8	41,4	7	6,5-9,0
53105120	SKINTOP HYGIENIC M20x1,5	M20x1,5	24	26,8	26,8	46,4	8	9,0-12,0
53105130	SKINTOP HYGIENIC M25x1,5	M25x1,5	29	31,8	31,8	48,9	8	11,5-15,5
53105140	SKINTOP HYGIENIC M32x1,5	M32x1,5	36	39,6	39	56	9	16,0-20,0
53105141	SKINTOP HYGIENIC M40x1,5	M40x1,5	45	49	49	62	9	22,0-27,0

SKINTOP® HYGIENIC-R

Article number	Article description	M	SW [mm]	Ø A [mm]	Ø B [mm]	C max. [mm]	D [mm]	Ø F Clamping range [mm]
53105200	SKINTOP HYGIENIC-R M12x1,5	M12x1,5	16	18,8	18,8	38,4	6,5	3,0-4,5
53105210	SKINTOP HYGIENIC-R M16x1,5	M16x1,5	20	22,8	22,8	41,4	7	4,5-7,0
53105220	SKINTOP HYGIENIC-R M20x1,5	M20x1,5	24	26,8	26,8	46,4	8	7,0-10,0
53105230	SKINTOP HYGIENIC-R M25x1,5	M25x1,5	29	31,8	31,8	48,9	8	9,0-12,5
53105240	SKINTOP HYGIENIC-R M32x1,5	M32x1,5	36	39,6	39	56	9	12,5-16,5
53105142	SKINTOP HYGIENIC-R M40x1,5	M40x1,5	45	49	49	62	9	18,0-23,0